

*Katalog - Okov za vrata*

*2021*



VABIS<sup>®</sup>





VABIS D.O.O. Aleksinac je nastao 1987 godine u Aleksincu, kao mala zanatska radionica, čija je hronologija razvoja sledeća:

- 1992 godine počinje da se bavi proizvodnjom okretnog okova za vrata i prozore,
- 1995 godine počinje da osvaja proizvodnju okretno-nagibnog okova za drvo,
- 2000 godine počinje sa osvajanjem i proizvodnjom okretno nagibnog okova za PVC profile,
- 2007godine počinje osvajanje, a krajem godine i proizvodnju okova za Aluminijske prozore novije generacije,
- 2008 godine dobija TUV-NORD certifikat za sistem menadžmenta na osnovu EN ISO 9001:2000.
- 2011 Resertifikacija sistema kvaliteta i dobijanje sertifikata EN ISO 9001:2008.
- 2011 Dobija atest za okov prema EN 12400 i EN 13115 u renomiranom institutu if ROSENHEIM
- 2015 Dobija atest za okov prema EN 13126-16 u renomiranom institutu if ROSENHEIM.

VABIS D.O.O. je danas jedno ozbiljno preduzeće koje upošljava ukupno preko 80 radnika, od kojih jedan broj radi neposredno u VABIS-U a ostali su kooperanti, koji učestvuju u izradi pojedinih komponenti za VABIS-ove proizvode. Proizvodnja se obavlja u nekoliko različitih odeljenja: preseraj, livnica, mašinska obrada, gde se vrši izrada pozicija koji se ugrađuju u okov, zatim svi elementi odlaze u galvanizaciju, na površinsku zaštitu. Zaštićeni elementi se transportuju u magacin poluproizvoda, a odatle na montažnu liniju gde se vrši sklapanje elemenata, uz 100% kontrolu svih elemenata koji silaze sa monta ne trake. VABIS poseduje sopstvenu razvojnu službu i sopstvenu laboratoriju za ispitivanje okova u kojima se svaki pojedinačni deo okovapažljivo konstruiše, a zatim dugotrajno ispituje u simuliranim najtežim uslovima eksploatacije koje okov može da ima na terenu.

Takođe posedujemo veoma dobro opremljenu alatnicu za izradu alata za sopstvene potrebe, sa CNC mašinama, koje nam omogućavaju izradu kvalitetnih alata, a samim tim i gotovih proizvoda.



VABIS D.O.O. Aleksinac is founded in 1987 in Aleksinac as a small workshop and developed in several phases

- In 1992 started to produce turn door and window fittings
- In 1995 started to produce tilt and turn window fittings for wooden windows
- In 2000 started to produce tilt and turn window fittings for PVC windows
- In 2007 Started to produce tilt and turn window fittings for Aluminium windows
- In 2008 gains TUV-NORD certificate for QMS according to EN ISO 9001:2000
- In 2011 resertification of quality management system and gaining new certificate EN ISO 9001:2008
- In 2011 we gain the certificate according to EN 12400 and EN 13115 from one of the famous institute IFT Rosenheim
- In 2015 we gain the certificate according to EN 13126-16 for lift and slide window hardware, from one of the famous institute IFT Rosenheim



VABIS D.O.O. today is widely respected firm with more than 80 employees of which one part works directly in VABIS D.O.O. and others are cooperants. We produce our elements in several departments: diecasting department, department with presses, galvanizing department, department of automatic lathes, special tools department... Vabis D.O.O has his own development department and his own testing laboratory where every single part is tested in every possible condition. All elements are passing 100% control all along production line.



## POLITIKA KVALITETA za 2020. god.

Politika kvaliteta se zasniva na marketinški orijentisanom poslovnom sistemu čiji je osnovni zadatak, kontinuirano zadovoljenje kupaca.

U tom pogledu utvrđeni su sledeći principi:

- 1. Kvalitet proizvoda koji u potpunosti zadovoljavaju zahteve, potrebe i očekivanja zainteresovanih strana su prvi poslovni prioriteti u svim našim procesima.*
- 2. Ispunjavanje zahteva sistema upravljanja kvalitetom, i poboljšanje njegove efektivnosti je stalan zadatak svih zaposlenih u Vabis-u.*
- 3. Neprekidan razvoj novih proizvoda, usavršavanje postojećih i njihovo usaglašavanje sa pripadajućim standardima je jedna od osnova razvoja Vabis-a. Podizanje nivoa produktivnosti proizvodnje i kvaliteta izrade proizvoda i alata se odvija u kontinuitetu što se postiže i obezbeđenjem potrebnih resursa.*
- 4. Unapređenje i poboljšanje partnerskih odnosa sa kupcima i isporučiocima je trajna orijentacija Vabis-a u okviru svog poslovanja.*
- 5. Cilj je povećanje udela na postojećim tržištima, kao i osvajanje novih, što bi donelo u ovoj godini povećanje prodaje za 10%.*
- 6. Sprovođenje zaštite životne sredine u Vabis-u se vrši u skladu sa važećim zakonskim propisima.*
- 7. Naš cilj u 2020. godini je da podignemo broj urađenih garnitura po jednom radniku na mesečnom nivou za 5%.*
- 8. Automatizacija procesa montaže delova je prioritet u investicijama, kao i instalacija nove opreme u livnici i farbari.*
- 9. Maksimalna zaštita zdravlja i bezbednosti na radu zaposlenih je jedno od opredeljenja rukovodstva Vabis-a, što podrazumeva poštovanje zakonskih odredbi. Stalno unapređenje zdravlja i bezbednosti zaposlenih sa neprekidnim preduzimanjem preventivnih mera radi sprečavanja opasnosti i rizika svih vrsta, je osnovni cilj rukovodstva Vabis-a.*
- 10. Redovno pratimo i analiziramo efektivnost naših procesa troškove kvaliteta, zdravlja i informišemo zaposlene o ukupno ostvarenim poslovnim rezultatima.*

29.12.2019. god.

Generalni direktor  
Vanko Stošić



# CERTIFICATE

Management system as per  
**ISO 9001 : 2015**

In accordance with TÜV NORD CERT procedures, it is hereby certified that

**VABIS D.O.O.**  
18220 Aleksinac  
Tihomira Djordjevica strasse bb  
Serbia



applies a management system in line with the above standard for the following scope

**Design, development, manufacture and distribution of builders  
hardware for doors and windows**

Certificate Registration No. 44 100 080241  
Audit Report No. 3526 2285

End of validity of previous certificate: 2020-02-21  
Valid from 2020-04-05  
Valid until 2023-02-21  
Initial certification 2008

  
Certification Body  
at TÜV NORD CERT GmbH

Essen, 2020-04-05

This certification was conducted in accordance with the TÜV NORD CERT auditing and certification procedures and is subject to regular surveillance audits.

TÜV NORD CERT GmbH

Langemarckstraße 20

45141 Essen

[www.tuev-nord-cert.com](http://www.tuev-nord-cert.com)



Deutsche  
Akkreditierungsstelle  
D-ZM-12007-01-00





**INSTITUTE OF PRECISION MECHANICS  
CERTIFICATION DEPARTMENT**

01-796 Warszawa, ul. Duchnicka 3

phone 22 663-43-24, 22 560-28-00 e-mail: [certyfikacja.imp@imp.edu.pl](mailto:certyfikacja.imp@imp.edu.pl)  
<http://www.imp.edu.pl>



AC 041

**CERTIFICATE OF CONFORMITY**

**No. P41/024/2020 (7960)**

**ENGLISH EDITION**

Name and address of the certificate owner:

**Vabis d.o.o.**  
**Tihomira Djordjevica bb 18220 Aleksinac, Serbia**

Name and address of the manufacturer:

**Vabis d.o.o.**  
**Tihomira Djordjevica bb 18220 Aleksinac, Serbia**

Product name:

**Mortice lock**

Type (variants):

**70610**

Main features:

Class of protection: **- 2 -** PN-EN 12209:2016-04

1	2	3	4	5	6	7	8
Category of use	No of test cycles/ durability	Door mass	Fire resistance	Safety in use	Corrosion resistance	Protection requirements	Key identification
<b>2</b>	<b>C</b>	<b>1</b>	<b>0</b>	<b>0</b>	<b>C</b>	<b>2</b>	<b>0</b>

The product fulfills requirements of:

**PN-EN 12209: 2016-04**

Date of expiration: **February 26, 2023**

This certificate is valid **from February 27, 2020 until February 26, 2023** only for products covered by application No. 231/W/2018, provided that the technical specification is valid, item fulfills its requirements and there were no major changes in: product type, system, conditions and the place of the production .

Certification of conformity Type „ 3” acc. to PN-EN ISO/IEC 17067: 2014-01.

Certificate of conformity issued acc. to the program PC-03 (IMP)

**MANAGER  
CERTIFICATION DEPARTMENT**

*Marek ZIĘTAŁA M.Sc. Eng.*



**DIRECTOR OF THE INSTITUTE**

*Tomasz BABUL Ph.D. D.Sc. Eng. prof. IMP*

Certificate can be published only by Certificate Owner without comments, abbreviations and changes.  
Warsaw, February 27, 2020

**14000 KRAGUEVAC**  
 Trg Topoljska br 4  
 Telefon: (043)23-220  
 Lokal: 28-34  
 Tel/Fax: (043) 335-636  
 e-mail: cenilab@zastava.net

**12 100 20566 TMS**

**IZVEŠTAJ O ISPITIVANJU**  
 EVIDENCIJNI BROJ  
 001579/2004-0

**DATUM IZDAVANJA**  
 07.12.2004  
 KRAGUEVAC

**ИЗВЕШТАЈ ИМС Д.О.О**  
 11000 Београд, Угледна бр. 431  
 Контакт: Милош Милошевић, Контакт: 011 361 61 533

**IMS INSTITUTE**  
 11000 Београд, Угледна бр. 431  
 Контакт: Милош Милошевић, Контакт: 011 361 61 533

**Предмет:** Испитивање квалитета гарнитуре универзалног оквира "VABIS" који се уградњу на дрвене и пластичне од PVC-профила

**Naručilac:** "VABIS", Aleksinaс, Тihomira Djordjevića б.б.

**Zahtev broj:** IMS 2021-143 од 08.09.2003.

Na osnovu Izveštaja broj GS-47003 Laboratorije TMS otkriveno se sledeće

**OCENA REZULTATA ISPITIVANJA**

Na osnovu rezultata ispitivanja zaključuje se da univerzalna garnitura okvira "VABIS" sa stanovišta mehanike otpornosti okvira puzima delovanje vetra i trajnosti (izdržljivosti) u spretnosti, kao i potpuno nije za uvoženje i zatvaranje zatvarača ZABOVLJIVA zahtevе standarda DIN 18855:1981 za kategoriju prozora "C", kao i zahtevе iz standarda JEN D.8.193:1982 za kategoriju prozora "H".

Beograd, 15.10.2003.

**INSTITUT IMS, A.D.**  
 Direktor Centra za građevinsku fiziku, drvo i sintetičke materijale,  
 Miroslav Miroslavić

**11000 Београд, Угледна бр. 431**  
 Контакт: Милош Милошевић, Контакт: 011 361 61 533

**11000 Београд, Угледна бр. 431**  
 Контакт: Милош Милошевић, Контакт: 011 361 61 533

**КОПИЈА**  
 ГОССТАНДАРТ  
 № 0278227  
 Сертификат А

**СЕРТИФИКАТ СООТВЕТСТВИЯ**

Зарегистрирован в реестре № ВУ112.02.01.03.0028  
 Срок действия с 10.01.2013 г. по 09.01.2018 г.

Аккредитованный орган по сертификации продукции и услуг ЗАО "Технический институт сертификации и испытаний" 220014 г. Минск, ул. Минская, 15, комн. 1, тел. 219-00-70, факс 226-36-71.

Настоящий сертификат удостоверяет, что идентифицированная должным образом продукция, изготовленная Обществом с ограниченной ответственностью "Минский Дом Окно", Республика Беларусь, и представленная на сертификацию под наименованием Окна и балконные двери из ПВХ профиля "VABIS" системы "VABIS" с окнами и в (PVC) со стеклами типа СТД 141-14А-4-16А-14 для жилых и общественных зданий по СТБ 1108-98 "Окна и балконные двери по специальным техническим условиям" (ТУ) серийного производства код ОКСТ РБ - 25.23.14 код ТН ВЕД ЕА - 9525.20.000.0

Соответствует требованиям технических нормативных правовых актов: ТУ 2009/03.1381 "Здания и сооружения, строительные материалы и изделия", "Безопасность", СТБ 1108-98, вл. 4.2.1, 4.2.2, 4.3, 4.3.1, 4.3.2, 4.3.3, 4.3.4, 4.3.5, 4.3.6, 4.3.7, 4.3.8, 4.3.9, 4.3.10, 4.3.11, 4.3.12, 4.3.13, 4.3.14, 4.3.15, 4.3.16, 4.3.17, 4.3.18, 4.3.19, 4.3.20, 4.3.21, 4.3.22, 4.3.23, 4.3.24, 4.3.25, 4.3.26, 4.3.27, 4.3.28, 4.3.29, 4.3.30, 4.3.31, 4.3.32, 4.3.33, 4.3.34, 4.3.35, 4.3.36, 4.3.37, 4.3.38, 4.3.39, 4.3.40, 4.3.41, 4.3.42, 4.3.43, 4.3.44, 4.3.45, 4.3.46, 4.3.47, 4.3.48, 4.3.49, 4.3.50, 4.3.51, 4.3.52, 4.3.53, 4.3.54, 4.3.55, 4.3.56, 4.3.57, 4.3.58, 4.3.59, 4.3.60, 4.3.61, 4.3.62, 4.3.63, 4.3.64, 4.3.65, 4.3.66, 4.3.67, 4.3.68, 4.3.69, 4.3.70, 4.3.71, 4.3.72, 4.3.73, 4.3.74, 4.3.75, 4.3.76, 4.3.77, 4.3.78, 4.3.79, 4.3.80, 4.3.81, 4.3.82, 4.3.83, 4.3.84, 4.3.85, 4.3.86, 4.3.87, 4.3.88, 4.3.89, 4.3.90, 4.3.91, 4.3.92, 4.3.93, 4.3.94, 4.3.95, 4.3.96, 4.3.97, 4.3.98, 4.3.99, 4.3.100, 4.3.101, 4.3.102, 4.3.103, 4.3.104, 4.3.105, 4.3.106, 4.3.107, 4.3.108, 4.3.109, 4.3.110, 4.3.111, 4.3.112, 4.3.113, 4.3.114, 4.3.115, 4.3.116, 4.3.117, 4.3.118, 4.3.119, 4.3.120, 4.3.121, 4.3.122, 4.3.123, 4.3.124, 4.3.125, 4.3.126, 4.3.127, 4.3.128, 4.3.129, 4.3.130, 4.3.131, 4.3.132, 4.3.133, 4.3.134, 4.3.135, 4.3.136, 4.3.137, 4.3.138, 4.3.139, 4.3.140, 4.3.141, 4.3.142, 4.3.143, 4.3.144, 4.3.145, 4.3.146, 4.3.147, 4.3.148, 4.3.149, 4.3.150, 4.3.151, 4.3.152, 4.3.153, 4.3.154, 4.3.155, 4.3.156, 4.3.157, 4.3.158, 4.3.159, 4.3.160, 4.3.161, 4.3.162, 4.3.163, 4.3.164, 4.3.165, 4.3.166, 4.3.167, 4.3.168, 4.3.169, 4.3.170, 4.3.171, 4.3.172, 4.3.173, 4.3.174, 4.3.175, 4.3.176, 4.3.177, 4.3.178, 4.3.179, 4.3.180, 4.3.181, 4.3.182, 4.3.183, 4.3.184, 4.3.185, 4.3.186, 4.3.187, 4.3.188, 4.3.189, 4.3.190, 4.3.191, 4.3.192, 4.3.193, 4.3.194, 4.3.195, 4.3.196, 4.3.197, 4.3.198, 4.3.199, 4.3.200, 4.3.201, 4.3.202, 4.3.203, 4.3.204, 4.3.205, 4.3.206, 4.3.207, 4.3.208, 4.3.209, 4.3.210, 4.3.211, 4.3.212, 4.3.213, 4.3.214, 4.3.215, 4.3.216, 4.3.217, 4.3.218, 4.3.219, 4.3.220, 4.3.221, 4.3.222, 4.3.223, 4.3.224, 4.3.225, 4.3.226, 4.3.227, 4.3.228, 4.3.229, 4.3.230, 4.3.231, 4.3.232, 4.3.233, 4.3.234, 4.3.235, 4.3.236, 4.3.237, 4.3.238, 4.3.239, 4.3.240, 4.3.241, 4.3.242, 4.3.243, 4.3.244, 4.3.245, 4.3.246, 4.3.247, 4.3.248, 4.3.249, 4.3.250, 4.3.251, 4.3.252, 4.3.253, 4.3.254, 4.3.255, 4.3.256, 4.3.257, 4.3.258, 4.3.259, 4.3.260, 4.3.261, 4.3.262, 4.3.263, 4.3.264, 4.3.265, 4.3.266, 4.3.267, 4.3.268, 4.3.269, 4.3.270, 4.3.271, 4.3.272, 4.3.273, 4.3.274, 4.3.275, 4.3.276, 4.3.277, 4.3.278, 4.3.279, 4.3.280, 4.3.281, 4.3.282, 4.3.283, 4.3.284, 4.3.285, 4.3.286, 4.3.287, 4.3.288, 4.3.289, 4.3.290, 4.3.291, 4.3.292, 4.3.293, 4.3.294, 4.3.295, 4.3.296, 4.3.297, 4.3.298, 4.3.299, 4.3.300, 4.3.301, 4.3.302, 4.3.303, 4.3.304, 4.3.305, 4.3.306, 4.3.307, 4.3.308, 4.3.309, 4.3.310, 4.3.311, 4.3.312, 4.3.313, 4.3.314, 4.3.315, 4.3.316, 4.3.317, 4.3.318, 4.3.319, 4.3.320, 4.3.321, 4.3.322, 4.3.323, 4.3.324, 4.3.325, 4.3.326, 4.3.327, 4.3.328, 4.3.329, 4.3.330, 4.3.331, 4.3.332, 4.3.333, 4.3.334, 4.3.335, 4.3.336, 4.3.337, 4.3.338, 4.3.339, 4.3.340, 4.3.341, 4.3.342, 4.3.343, 4.3.344, 4.3.345, 4.3.346, 4.3.347, 4.3.348, 4.3.349, 4.3.350, 4.3.351, 4.3.352, 4.3.353, 4.3.354, 4.3.355, 4.3.356, 4.3.357, 4.3.358, 4.3.359, 4.3.360, 4.3.361, 4.3.362, 4.3.363, 4.3.364, 4.3.365, 4.3.366, 4.3.367, 4.3.368, 4.3.369, 4.3.370, 4.3.371, 4.3.372, 4.3.373, 4.3.374, 4.3.375, 4.3.376, 4.3.377, 4.3.378, 4.3.379, 4.3.380, 4.3.381, 4.3.382, 4.3.383, 4.3.384, 4.3.385, 4.3.386, 4.3.387, 4.3.388, 4.3.389, 4.3.390, 4.3.391, 4.3.392, 4.3.393, 4.3.394, 4.3.395, 4.3.396, 4.3.397, 4.3.398, 4.3.399, 4.3.400, 4.3.401, 4.3.402, 4.3.403, 4.3.404, 4.3.405, 4.3.406, 4.3.407, 4.3.408, 4.3.409, 4.3.410, 4.3.411, 4.3.412, 4.3.413, 4.3.414, 4.3.415, 4.3.416, 4.3.417, 4.3.418, 4.3.419, 4.3.420, 4.3.421, 4.3.422, 4.3.423, 4.3.424, 4.3.425, 4.3.426, 4.3.427, 4.3.428, 4.3.429, 4.3.430, 4.3.431, 4.3.432, 4.3.433, 4.3.434, 4.3.435, 4.3.436, 4.3.437, 4.3.438, 4.3.439, 4.3.440, 4.3.441, 4.3.442, 4.3.443, 4.3.444, 4.3.445, 4.3.446, 4.3.447, 4.3.448, 4.3.449, 4.3.450, 4.3.451, 4.3.452, 4.3.453, 4.3.454, 4.3.455, 4.3.456, 4.3.457, 4.3.458, 4.3.459, 4.3.460, 4.3.461, 4.3.462, 4.3.463, 4.3.464, 4.3.465, 4.3.466, 4.3.467, 4.3.468, 4.3.469, 4.3.470, 4.3.471, 4.3.472, 4.3.473, 4.3.474, 4.3.475, 4.3.476, 4.3.477, 4.3.478, 4.3.479, 4.3.480, 4.3.481, 4.3.482, 4.3.483, 4.3.484, 4.3.485, 4.3.486, 4.3.487, 4.3.488, 4.3.489, 4.3.490, 4.3.491, 4.3.492, 4.3.493, 4.3.494, 4.3.495, 4.3.496, 4.3.497, 4.3.498, 4.3.499, 4.3.500, 4.3.501, 4.3.502, 4.3.503, 4.3.504, 4.3.505, 4.3.506, 4.3.507, 4.3.508, 4.3.509, 4.3.510, 4.3.511, 4.3.512, 4.3.513, 4.3.514, 4.3.515, 4.3.516, 4.3.517, 4.3.518, 4.3.519, 4.3.520, 4.3.521, 4.3.522, 4.3.523, 4.3.524, 4.3.525, 4.3.526, 4.3.527, 4.3.528, 4.3.529, 4.3.530, 4.3.531, 4.3.532, 4.3.533, 4.3.534, 4.3.535, 4.3.536, 4.3.537, 4.3.538, 4.3.539, 4.3.540, 4.3.541, 4.3.542, 4.3.543, 4.3.544, 4.3.545, 4.3.546, 4.3.547, 4.3.548, 4.3.549, 4.3.550, 4.3.551, 4.3.552, 4.3.553, 4.3.554, 4.3.555, 4.3.556, 4.3.557, 4.3.558, 4.3.559, 4.3.560, 4.3.561, 4.3.562, 4.3.563, 4.3.564, 4.3.565, 4.3.566, 4.3.567, 4.3.568, 4.3.569, 4.3.570, 4.3.571, 4.3.572, 4.3.573, 4.3.574, 4.3.575, 4.3.576, 4.3.577, 4.3.578, 4.3.579, 4.3.580, 4.3.581, 4.3.582, 4.3.583, 4.3.584, 4.3.585, 4.3.586, 4.3.587, 4.3.588, 4.3.589, 4.3.590, 4.3.591, 4.3.592, 4.3.593, 4.3.594, 4.3.595, 4.3.596, 4.3.597, 4.3.598, 4.3.599, 4.3.600, 4.3.601, 4.3.602, 4.3.603, 4.3.604, 4.3.605, 4.3.606, 4.3.607, 4.3.608, 4.3.609, 4.3.610, 4.3.611, 4.3.612, 4.3.613, 4.3.614, 4.3.615, 4.3.616, 4.3.617, 4.3.618, 4.3.619, 4.3.620, 4.3.621, 4.3.622, 4.3.623, 4.3.624, 4.3.625, 4.3.626, 4.3.627, 4.3.628, 4.3.629, 4.3.630, 4.3.631, 4.3.632, 4.3.633, 4.3.634, 4.3.635, 4.3.636, 4.3.637, 4.3.638, 4.3.639, 4.3.640, 4.3.641, 4.3.642, 4.3.643, 4.3.644, 4.3.645, 4.3.646, 4.3.647, 4.3.648, 4.3.649, 4.3.650, 4.3.651, 4.3.652, 4.3.653, 4.3.654, 4.3.655, 4.3.656, 4.3.657, 4.3.658, 4.3.659, 4.3.660, 4.3.661, 4.3.662, 4.3.663, 4.3.664, 4.3.665, 4.3.666, 4.3.667, 4.3.668, 4.3.669, 4.3.670, 4.3.671, 4.3.672, 4.3.673, 4.3.674, 4.3.675, 4.3.676, 4.3.677, 4.3.678, 4.3.679, 4.3.680, 4.3.681, 4.3.682, 4.3.683, 4.3.684, 4.3.685, 4.3.686, 4.3.687, 4.3.688, 4.3.689, 4.3.690, 4.3.691, 4.3.692, 4.3.693, 4.3.694, 4.3.695, 4.3.696, 4.3.697, 4.3.698, 4.3.699, 4.3.700, 4.3.701, 4.3.702, 4.3.703, 4.3.704, 4.3.705, 4.3.706, 4.3.707, 4.3.708, 4.3.709, 4.3.710, 4.3.711, 4.3.712, 4.3.713, 4.3.714, 4.3.715, 4.3.716, 4.3.717, 4.3.718, 4.3.719, 4.3.720, 4.3.721, 4.3.722, 4.3.723, 4.3.724, 4.3.725, 4.3.726, 4.3.727, 4.3.728, 4.3.729, 4.3.730, 4.3.731, 4.3.732, 4.3.733, 4.3.734, 4.3.735, 4.3.736, 4.3.737, 4.3.738, 4.3.739, 4.3.740, 4.3.741, 4.3.742, 4.3.743, 4.3.744, 4.3.745, 4.3.746, 4.3.747, 4.3.748, 4.3.749, 4.3.750, 4.3.751, 4.3.752, 4.3.753, 4.3.754, 4.3.755, 4.3.756, 4.3.757, 4.3.758, 4.3.759, 4.3.760, 4.3.761, 4.3.762, 4.3.763, 4.3.764, 4.3.765, 4.3.766, 4.3.767, 4.3.768, 4.3.769, 4.3.770, 4.3.771, 4.3.772, 4.3.773, 4.3.774, 4.3.775, 4.3.776, 4.3.777, 4.3.778, 4.3.779, 4.3.780, 4.3.781, 4.3.782, 4.3.783, 4.3.784, 4.3.785, 4.3.786, 4.3.787, 4.3.788, 4.3.789, 4.3.790, 4.3.791, 4.3.792, 4.3.793, 4.3.794, 4.3.795, 4.3.796, 4.3.797, 4.3.798, 4.3.799, 4.3.800, 4.3.801, 4.3.802, 4.3.803, 4.3.804, 4.3.805, 4.3.806, 4.3.807, 4.3.808, 4.3.809, 4.3.810, 4.3.811, 4.3.812, 4.3.813, 4.3.814, 4.3.815, 4.3.816, 4.3.817, 4.3.818, 4.3.819, 4.3.820, 4.3.821, 4.3.822, 4.3.823, 4.3.824, 4.3.825, 4.3.826, 4.3.827, 4.3.828, 4.3.829, 4.3.830, 4.3.831, 4.3.832, 4.3.833, 4.3.834, 4.3.835, 4.3.836, 4.3.837, 4.3.838, 4.3.839, 4.3.840, 4.3.841, 4.3.842, 4.3.843, 4.3.844, 4.3.845, 4.3.846, 4.3.847, 4.3.848, 4.3.849, 4.3.850, 4.3.851, 4.3.852, 4.3.853, 4.3.854, 4.3.855, 4.3.856, 4.3.857, 4.3.858, 4.3.859, 4.3.860, 4.3.861, 4.3.862, 4.3.863, 4.3.864, 4.3.865, 4.3.866, 4.3.867, 4.3.868, 4.3.869, 4.3.870, 4.3.871, 4.3.872, 4.3.873, 4.3.874, 4.3.875, 4.3.876, 4.3.877, 4.3.878, 4.3.879, 4.3.880, 4.3.881, 4.3.882, 4.3.883, 4.3.884, 4.3.885, 4.3.886, 4.3.887, 4.3.888, 4.3.889, 4.3.890, 4.3.891, 4.3.892, 4.3.893, 4.3.894, 4.3.895, 4.3.896, 4.3.897, 4.3.898, 4.3.899, 4.3.900, 4.3.901, 4.3.902, 4.3.903, 4.3.904, 4.3.905, 4.3.906, 4.3.907, 4.3.908, 4.3.909, 4.3.910, 4.3.911, 4.3.912, 4.3.913, 4.3.914, 4.3.915, 4.3.916, 4.3.917, 4.3.918, 4.3.919, 4.3.920, 4.3.921, 4.3.922, 4.3.923, 4.3.924, 4.3.925, 4.3.926, 4.3.927, 4.3.928, 4.3.929, 4.3.930, 4.3.931, 4.3.932, 4.3.933, 4.3.934, 4.3.935, 4.3.936, 4.3.937, 4.3.938, 4.3.939, 4.3.940, 4.3.941, 4.3.942, 4.3.943, 4.3.944, 4.3.945, 4.3.946, 4.3.947, 4.3.948, 4.3.949, 4.3.950, 4.3.951, 4.3.952, 4.3.953, 4.3.954, 4.3.955, 4.3.956, 4.3.957, 4.3.958, 4.3.959, 4.3.960, 4.3.961, 4.3.962, 4.3.963, 4.3.964, 4.3.965, 4.3.966, 4.3.967, 4.3.968, 4.3.969, 4.3.970, 4.3.971, 4.3.972, 4.3.973, 4.3.974, 4.3.975, 4.3.976, 4.3.977, 4.3.978, 4.3.979, 4.3.980, 4.3.981, 4.3.982, 4.3.983, 4.3.984, 4.3.985, 4.3.986, 4.3.987, 4.3.988, 4.3.989, 4.3.990, 4.3.991, 4.3.992, 4.3.993, 4.3.994, 4.3.995, 4.3.996, 4.3.997, 4.3.998, 4.3.999, 4.4.000, 4.4.001, 4.4.002, 4.4.003, 4.4.004, 4.4.005, 4.4.006, 4.4.007, 4.4.008, 4.4.009, 4.4.010, 4.4.011, 4.4.012, 4.4.013, 4.4.014, 4.4.015, 4.4.016, 4.4.017, 4.4.018, 4.4.019, 4.4.020, 4.4.021, 4.4.022, 4.4.023, 4.4.024, 4.4.025, 4.4.026, 4.4.027, 4.4.028, 4.4.029, 4.4.030, 4.4.031, 4.4.032, 4.4.033, 4.4.034, 4.4.035, 4.4.036, 4.4.037, 4.4.038, 4.4.039, 4.4.040, 4.4.041, 4.4.042, 4.4.043, 4.4.044, 4.4.045, 4.4.046, 4.4.047, 4.4.048, 4.4.049, 4.4.050, 4.4.051, 4.4.052, 4.4.053, 4.4.054, 4.4.055, 4.4.056, 4.4.057, 4.4.058, 4.4.059, 4.4.060, 4.4.061, 4.4.062, 4.4.063, 4.4.064, 4.4.065, 4.4.066, 4.4.067, 4.4.068, 4.4.069, 4.4.070, 4.4.071, 4.4.072, 4.4.073, 4.4.074, 4.4.075, 4.4.076, 4.4.077, 4.4.078, 4.4.079, 4.4.080, 4.4.081, 4.4.082, 4.4.083, 4.4.084, 4.4.085, 4.4.086, 4.4.087, 4.4.088, 4.4.089, 4.4.090, 4.4.091, 4.4.092, 4.4.093, 4.4.094, 4.4.095, 4.4.096, 4.4.097, 4.4.098, 4.4.099, 4.4.100, 4.4.101, 4.4.102, 4.4.103, 4.4.104, 4.4.105, 4.4.106, 4.4.107, 4.4.108, 4.4.109, 4.4.110, 4.4.111, 4.4.112, 4.4.113, 4.4.114, 4.4.115, 4.4.116, 4.4.117, 4.4.118, 4.4.119, 4.4.120, 4.4.121, 4.4.122, 4.4.123, 4.4.124, 4.4.125, 4.4.126, 4.4.127, 4.4.128, 4.4.129, 4.4.130, 4.4.131, 4.4.132, 4.4.133, 4.4.134, 4.4.135, 4.4.136, 4.4.137, 4.4.138, 4.4.139, 4.4.140, 4.4.141, 4.4.142, 4.4.143, 4.4.144, 4.4.145, 4.4.146, 4.4.147, 4.4.148, 4.4.149, 4.4.150, 4.4.151, 4.4.152, 4.4.153, 4.4.154, 4.4.155, 4.4.156, 4.4.157, 4.4.158, 4.4.159, 4.4.160, 4.4.161, 4.4.162, 4.4.163, 4.4.164, 4.4.165, 4.4.166, 4.4.167, 4.4.168, 4.4.169, 4.4.170, 4.4.171, 4.4.172, 4.4.173, 4.4.174, 4.4.175, 4.4.176, 4.4.177, 4.4.178, 4.4.179, 4.4.180, 4.4.181, 4.4.182, 4.4.183, 4.4.184, 4.4.185, 4.4.186, 4.4.187, 4.4.188, 4.4.189, 4.4.190, 4.4.191, 4.4.192, 4.4.193, 4.4.194, 4.4.195, 4.4.196, 4.4.197, 4.4.198, 4.4.199, 4.4.200, 4.4.201, 4.4.202, 4.4.203, 4.4.204, 4.4.205, 4.4.206, 4.4.207, 4.4.208, 4.4.209, 4.4.210, 4.4.211, 4.4.212, 4.4.213, 4.4.214, 4.4.215, 4.4.216, 4.4.217, 4.4.218, 4.4.219, 4.4.220, 4.4.221, 4.4.222, 4.4.223, 4.4.2





Uredjaj za ispitivanje okova



Uredjaj za ispitivanje korozijske postojnosti



Uredjaj za testiranje izdržljivosti brave i kvake



Uredjaj za ispitivanje zupčaste letve

*Okov za vrata PVC*

*Door fittings PVC*

*Дверная фурнитура ПВХ*

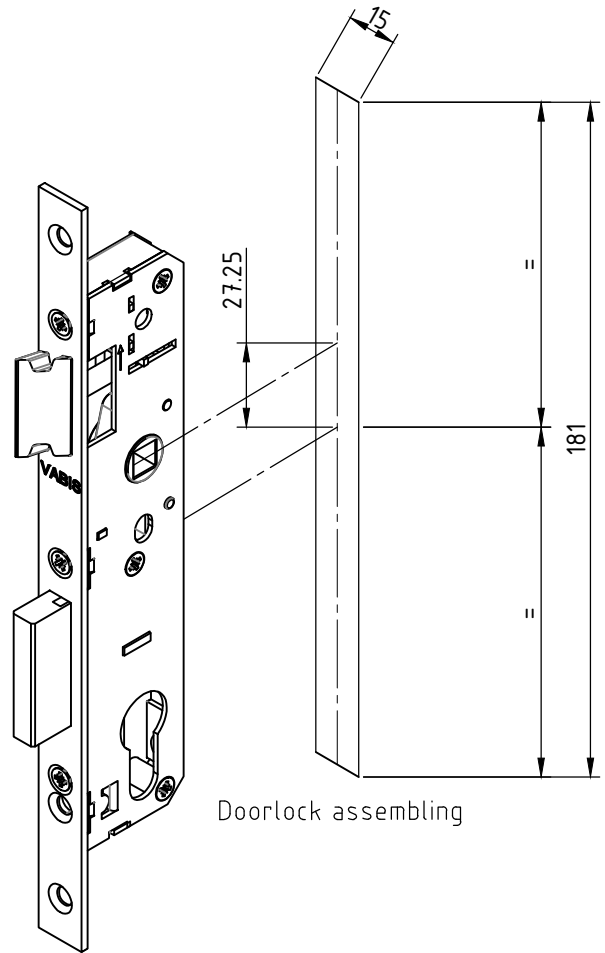
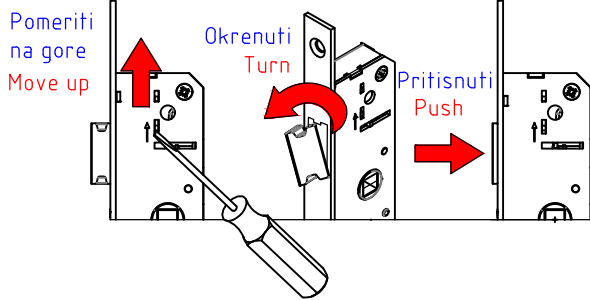


# Okov za vrata

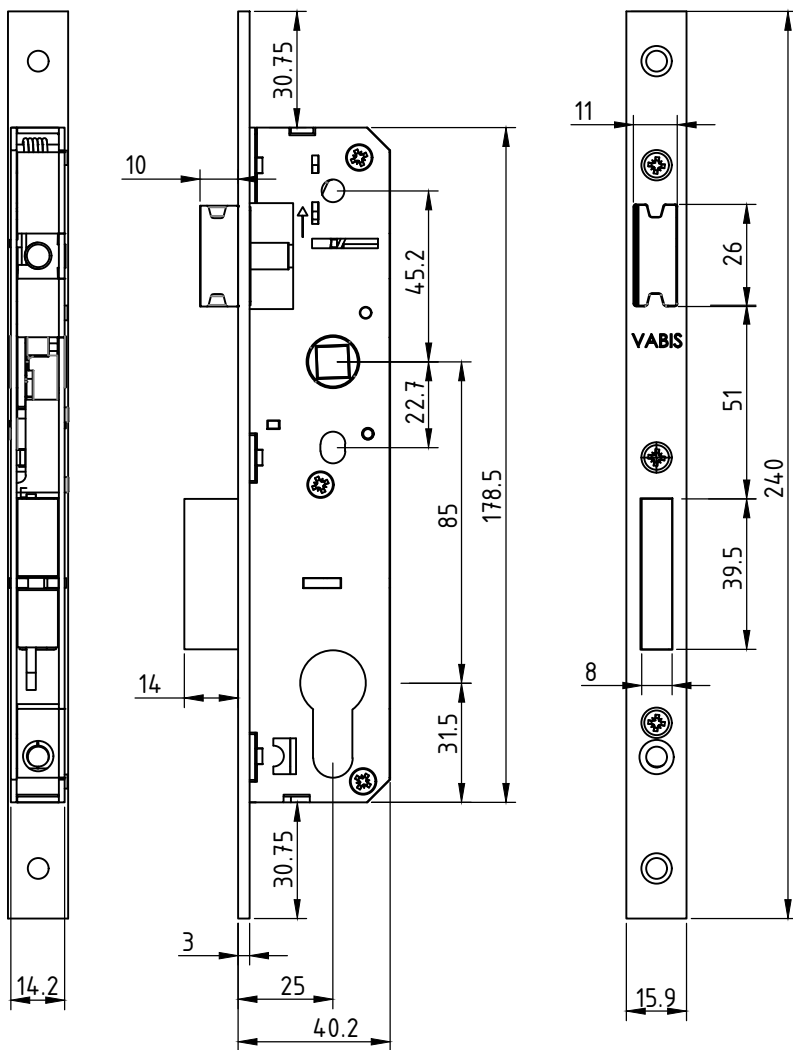
## Door fittings

## Дверная фурнитура

Način okretanja jezička brave  
za desna i leva vrata  
Doorlock setup - orientation  
change for right and left doors



Doorlock assembling



Brava za PVC vrata 25/85/16  
Četvrtka 8x8

Pocinkovano celo otporno na  
koroziju

Svaka brava upakovana u  
specijalno dizajnirane kutije






Door lock PVC 25/85/16 mm  
8x8 mm square

Zink plated forehead corrosion  
resistance

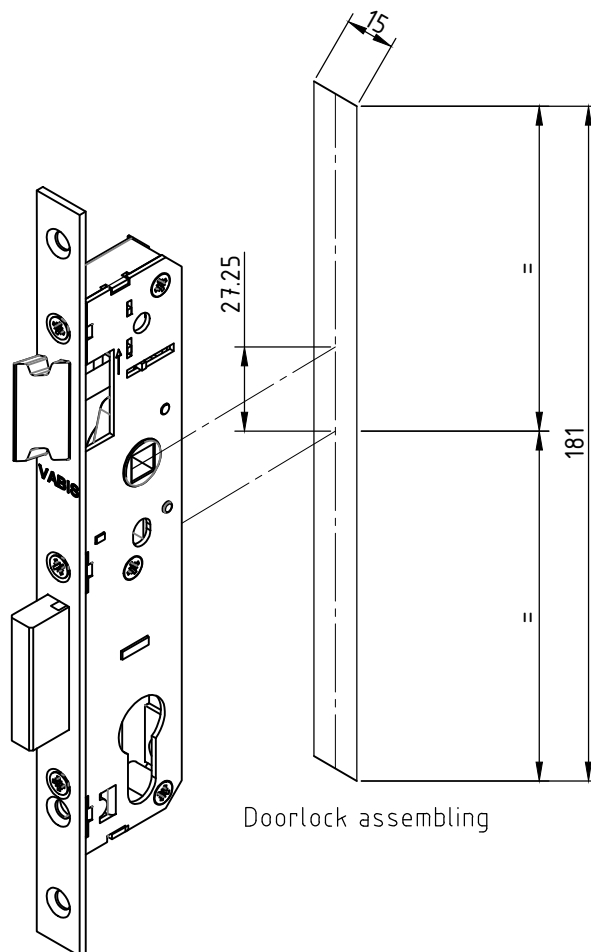
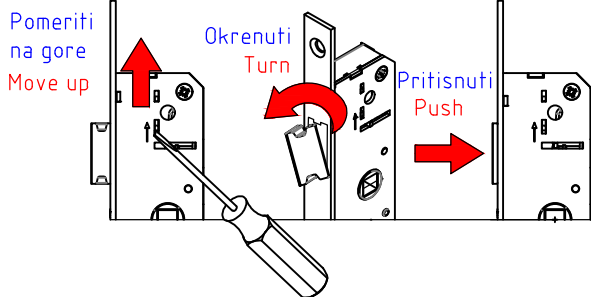
Every single door lock packed  
into a special design carton box

 Standardna varijanta

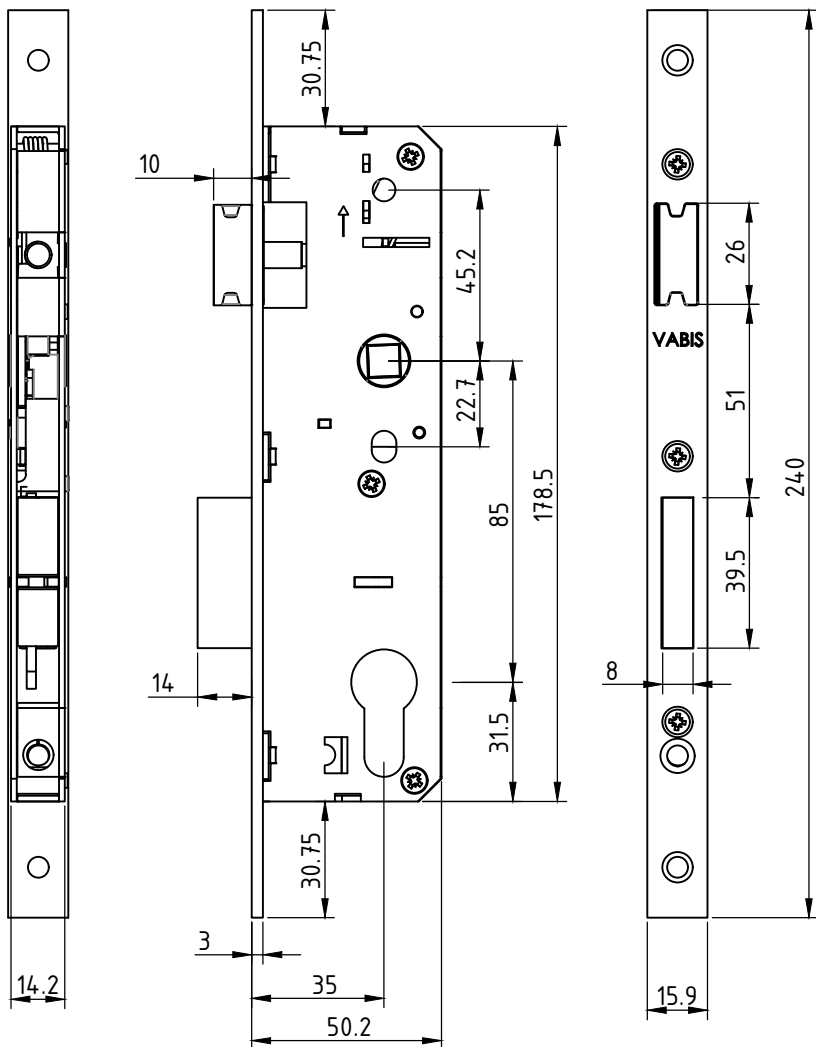
 Standard variant

Naziv Name/Название	L (mm)	Artikal Code/Код					
Brava za PVC vrata 25/85/16 mm / Door locks PVC 25/85/16 mm / Дверные замки ПВХ 25/85/16 mm	240	70025	2	/	50/1	0.355	48 kut.

Način okretanja jezička brave  
za desna i leva vrata  
Doorlock setup - orientation  
change for right and left doors



Doorlock assembling



Brava za PVC vrata 35/85/16  
Cetvrtka 8x8

Pocinkovano celo otporno na  
koroziju

Svaka brava upakovana u  
specijalno dizajnirane kutije

Door lock PVC 35/85/16 mm  
8x8 mm square



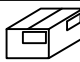
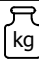

Zink plated forehead corrosion  
resistance

Every single door lock packed  
into a special design carton box

Standard variant

○ Standardna varijanta

○ Standard variant

Naziv Name/Название	L (mm)	Artikal Code/Код				 kg	
Brava za PVC vrata 35/85/16 mm / Door locks PVC 35/85/16 mm / Дверные замки ПВХ 35/85/16 мм	240	70110	2	/	50/1	0.428	48 kut.

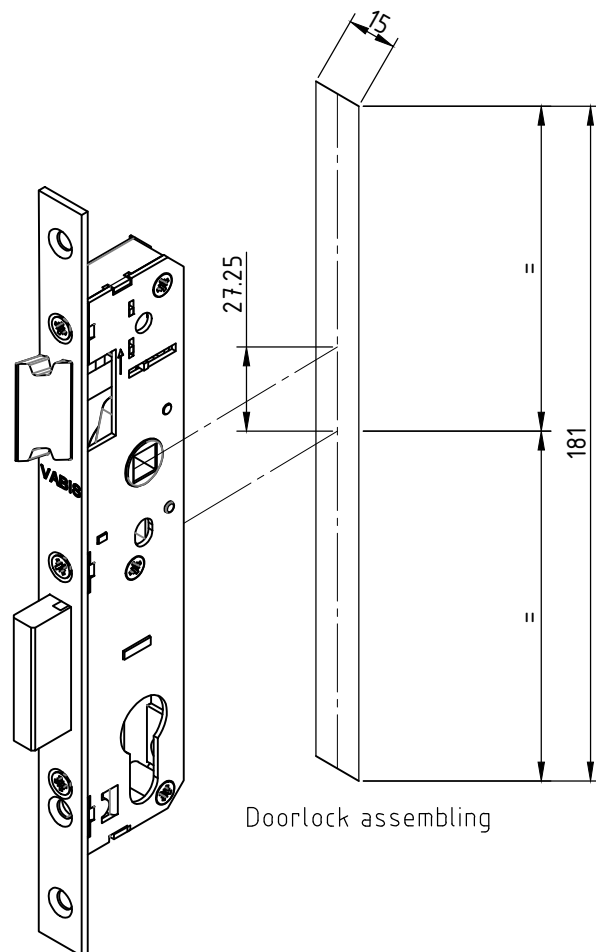
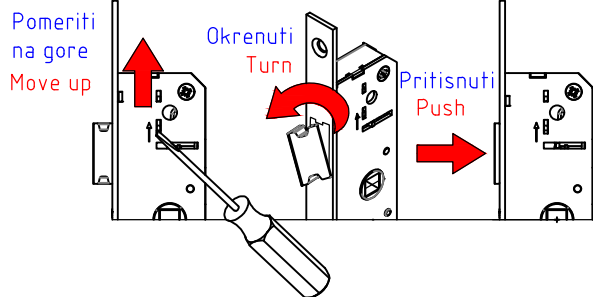


# Okov za vrata

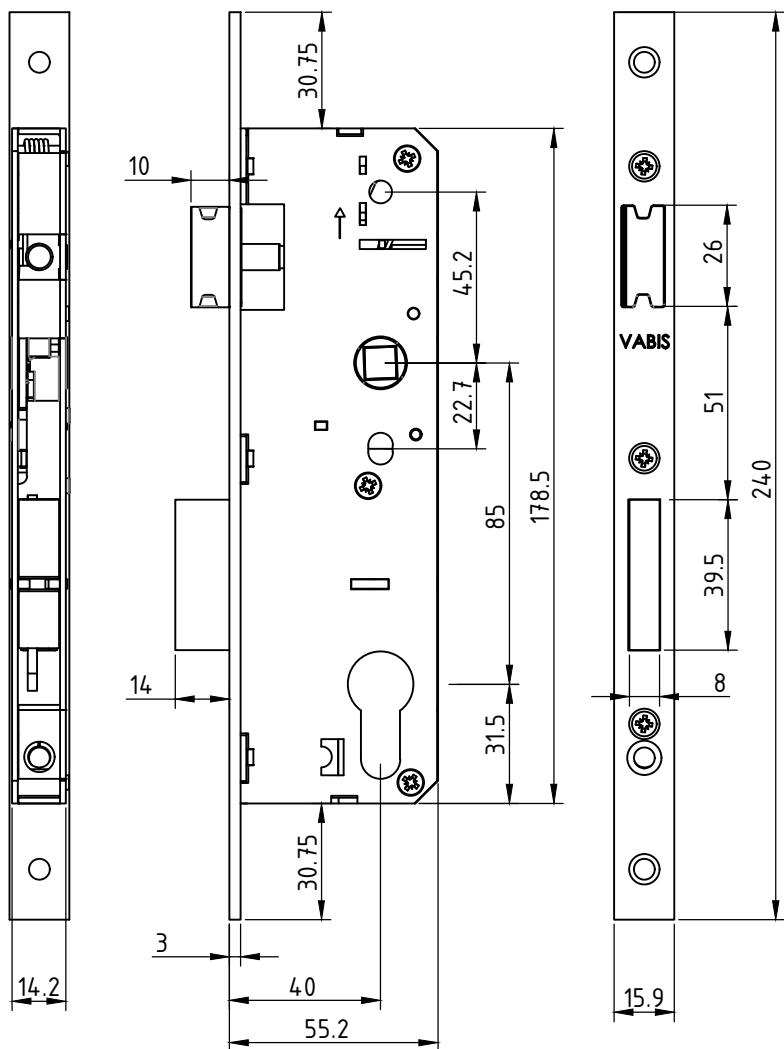
## Door fittings

## Дверная фурнитура

Način okretanja jezička brave  
za desna i leva vrata  
Doorlock setup - orientation  
change for right and left doors



Doorlock assembling



Brava za PVC vrata 40/85/16  
Četvrtka 8x8

Pocinkovano celo otporno na  
koroziju

Svaka brava upakovana u  
specijalno dizajnirane kutije

Door lock PVC 40/85/16 mm  
8x8 mm square

Zink plated forehead corrosion  
resistance

Every single door lock packed  
into a special design carton box

Minimalna količina za narucivanje  
300 kom

Minimum quantity for order  
300 pcs

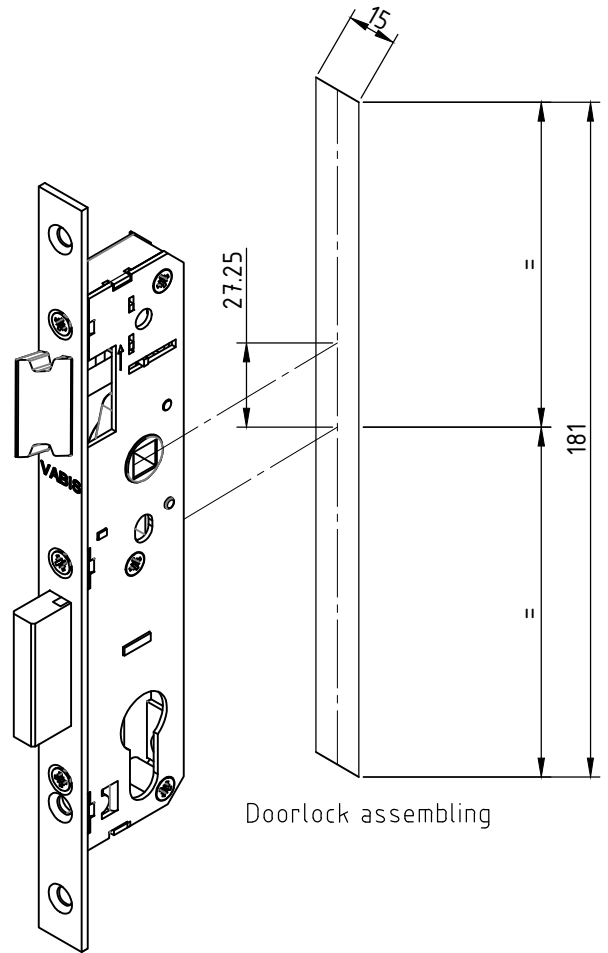
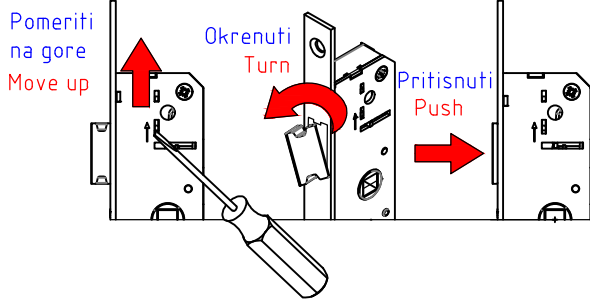
Naziv Name/Название	L (mm)	Artikal Code/Код				kg	
Brava za PVC vrata 40/85/16 mm / Door locks PVC 40/85/16 mm / Дверные замки ПВХ 40/85/16 mm	240	70040	2	/	50/1	0.464	48 kut.

# Okov za vrata

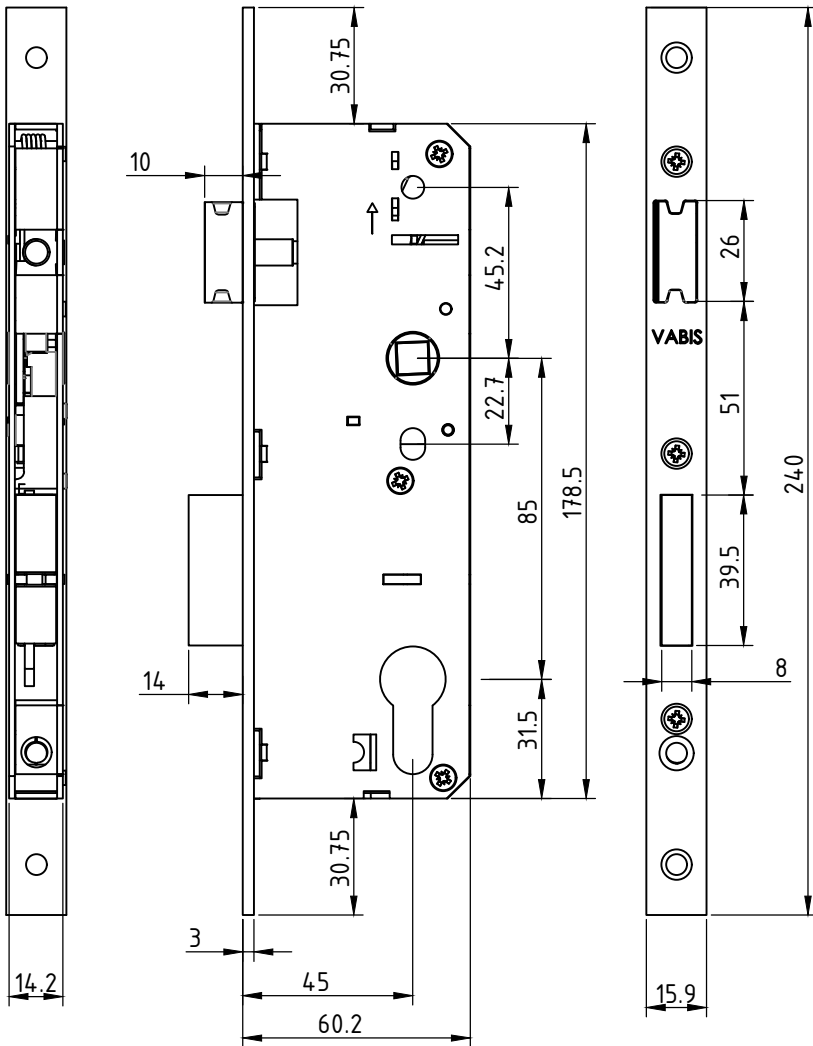
## Door fittings

## Дверная фурнитура

Način okretanja jezička brave  
za desna i leva vrata  
Doorlock setup - orientation  
change for right and left doors



Doorlock assembling



Brava za PVC vrata 45/85/16  
Četvrtka 8x8

Pocinkovano celo otporno na  
koroziju

Svaka brava upakovana u  
specijalno dizajnirane kutije

Door lock PVC 45/85/16 mm  
8x8 mm square

Zink plated forehead corrosion  
resistance

Every single door lock packed  
into a special design carton box

Minimalna količina za narucivanje  
300 kom

Minimum quantity for order  
300 pcs

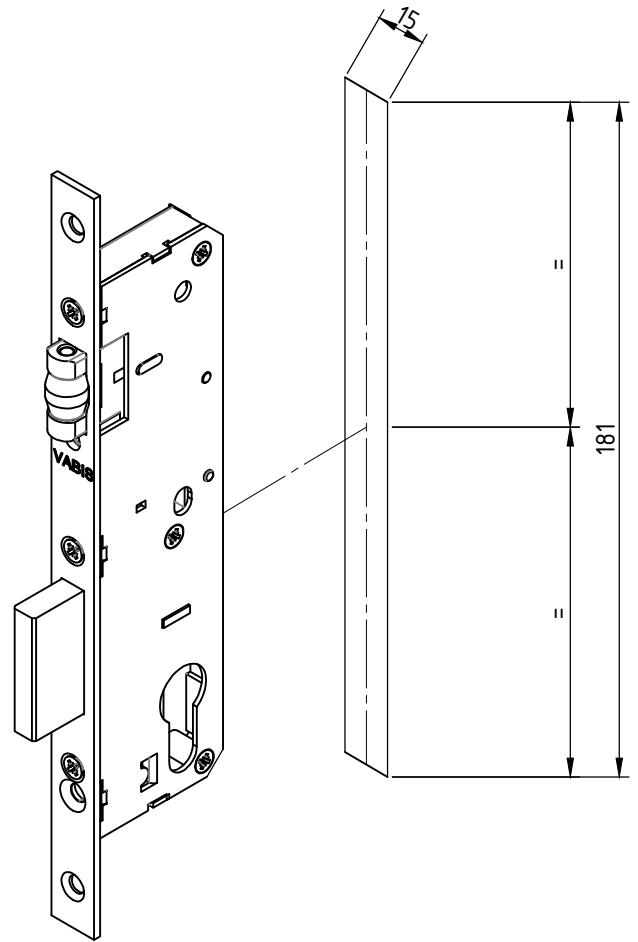
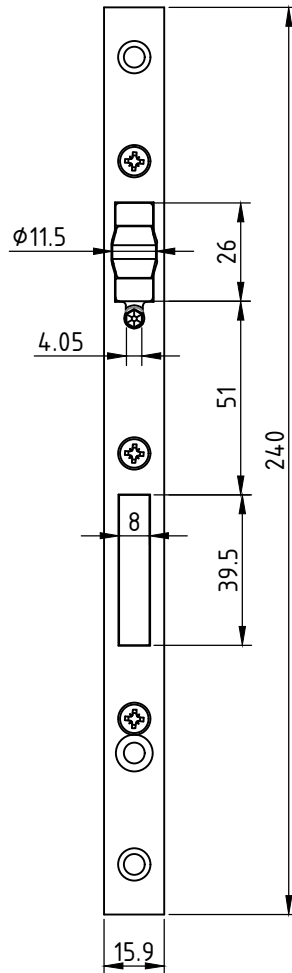
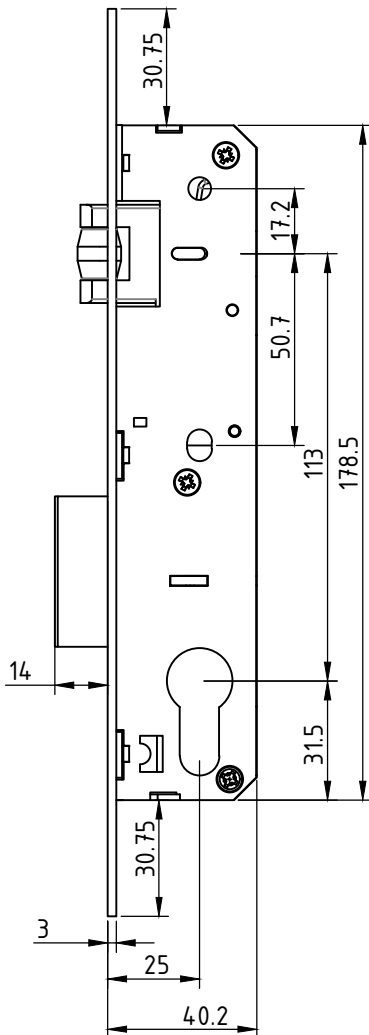
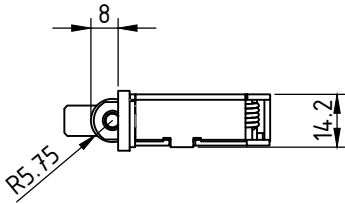
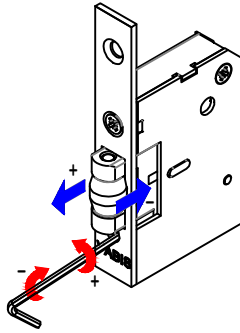
Naziv Name/Название	L (mm)	Artikal Code/Код				kg	
Brava za PVC vrata 45/85/16 mm / Door locks PVC 45/85/16 mm / Дверные замки ПВХ 45/85/16 mm	240	70045	2	/	50/1	0.500	48 kut.

Podesavanje visine valjka

Valjak se podesava Imbus ključem 4, rotirajući levo ili desno valjak menja dužinu

Roller adjust

Allen key 4 - turn left and right to adjust roller length



Brava za PVC sa valjkom  
25/85/16

Celo brave pocinkovano  
zasticeno od korozije

Svaka brava pakovana u  
specijalno dizajnirane kutije  
Valjak sa mehanizmom za  
podesavanje




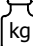

Door lock for PVC with roller  
25/85/16 mm

Zink plated forehead corrosion  
resistance

Every single door lock packed  
into a special design carton box  
Roller adjusted mechanism

~~Minimalna kolicina za narucivanje~~  
300 kom

~~Minimum quantity for order~~  
300 pcs

Naziv Name/Название	L (mm)	Artikal Code/Код					
Brava za PVC vrata 25/85/16 mm / Valjak Door locks PVC 25/85/16 mm / Roller Дверные замки ПВХ 25/85/16 mm /	240	70525	2	/	50/1	0.356	48 kut.

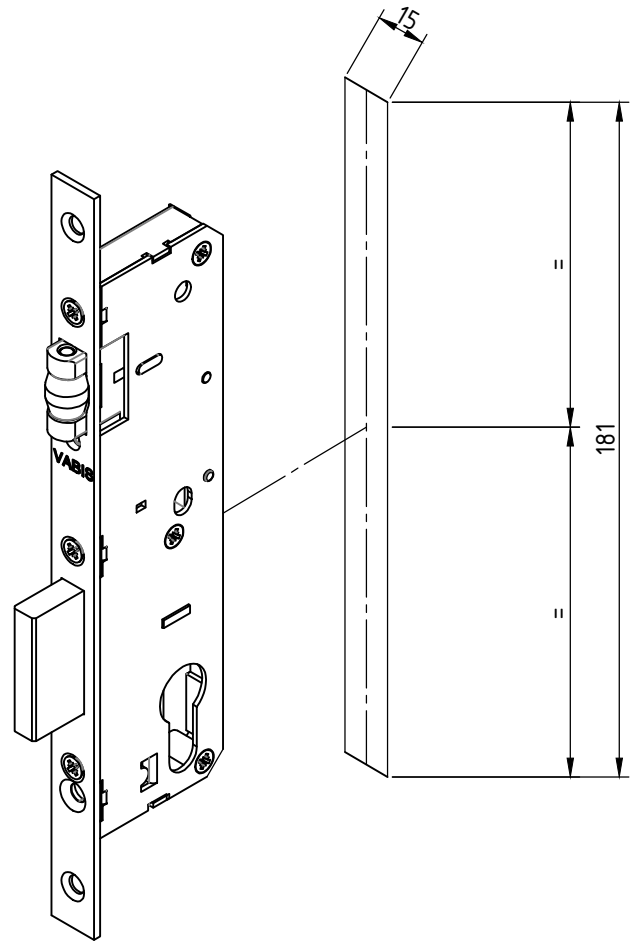
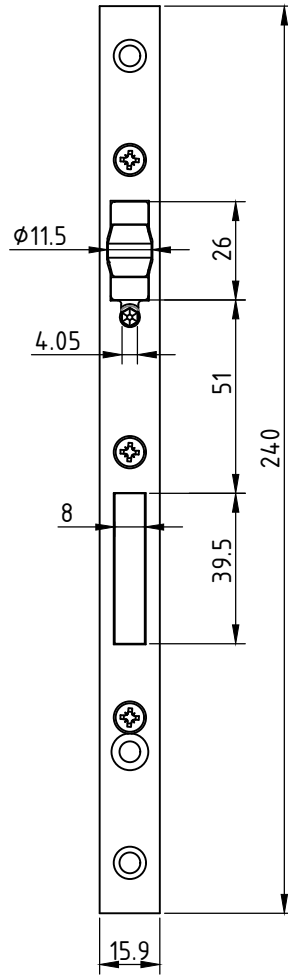
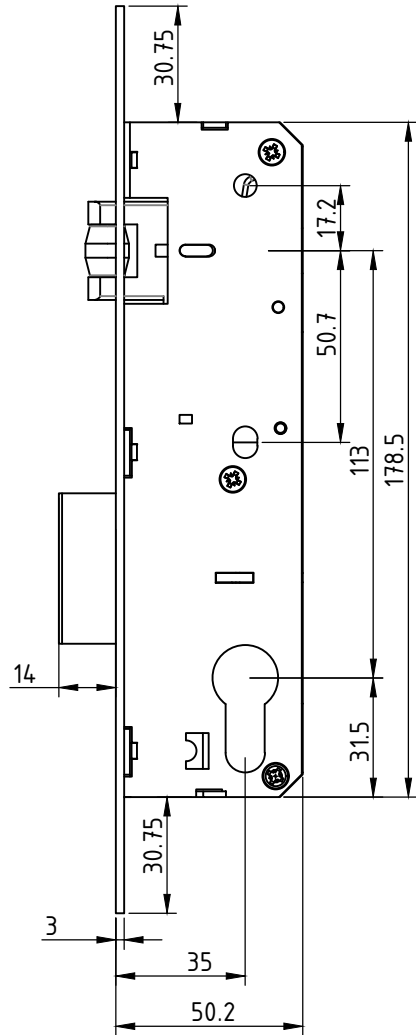
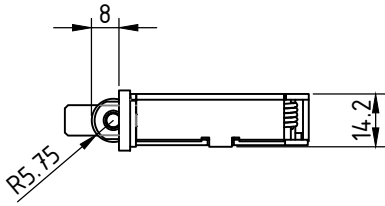
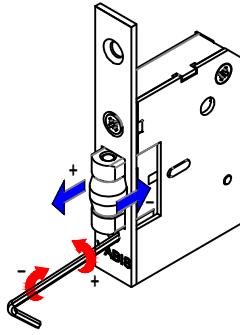


Podesavanje visine valjka

Valjak se podesava Imbus ključem 4, rotirajući levo ili desno valjak menja dužinu

Roller adjust

Allen key 4 - turn left and right to adjust roller length



Brava za PVC sa valjkom 35/85/16

Celo brave pocinkovano zasticeno od korozije

Svaka brava pakovana u specijalno dizajnirane kutije

Valjak sa mehanizmom za podesavanje

Door lock for PVC with roller 35/85/16 mm




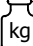

Zink plated forehead corrosion resistance

Every single door lock packed into a special design carton box

Roller adjusted mechanism

~~Minimalna kolicina za narucivanje 300 kom~~

~~Minimum quantity for order 300 pcs~~

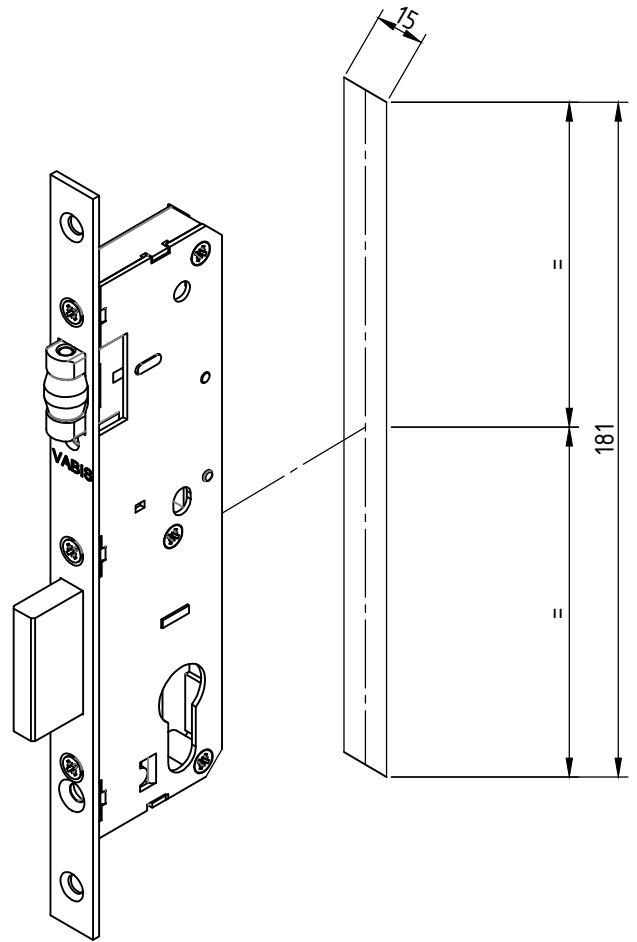
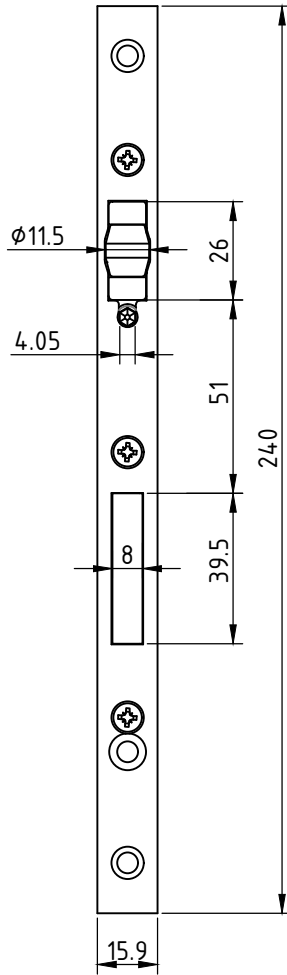
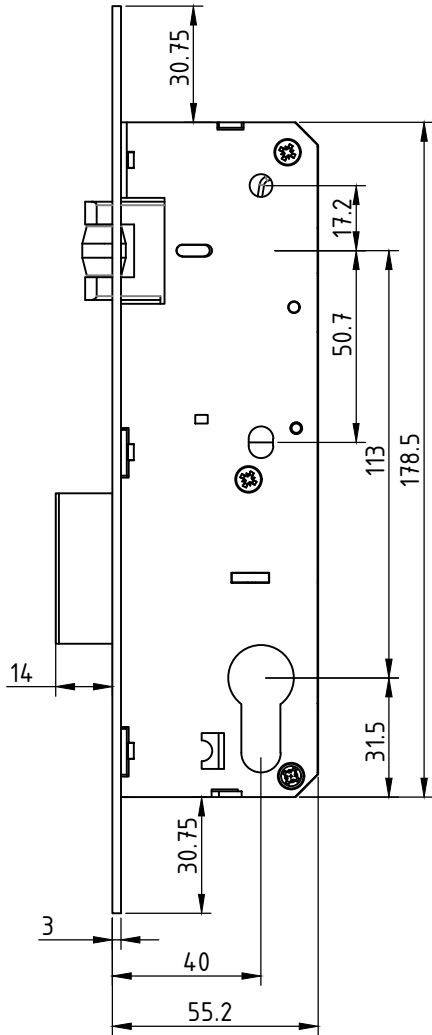
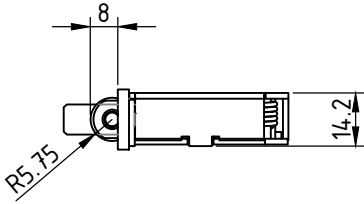
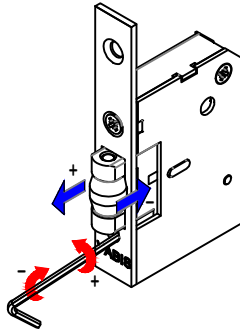
Naziv Name/Название	L (mm)	Artikal Code/Код					
Brava za PVC vrata 35/85/16 mm / Valjak Door locks PVC 35/85/16 mm / Roller Дверные замки ПВХ 35/85/16 mm /	240	70527	2	/	50/1	0.431	48 kut.

Podesavanje visine valjka

Valjak se podesava Imbus ključem 4, rotirajući levo ili desno valjak menja dužinu

Roller adjust

Allen key 4 - turn left and right to adjust roller length



Brava za PVC sa valjkom 40/85/16

Celo brave pocinkovano zasticeno od korozije  
Svaka brava pakovana u specijalno dizajnirane kutije  
Valjak sa mehanizmom za podesavanje




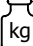

Door lock for PVC with roller 40/85/16 mm

Zink plated forehead corrosion resistance

Every single door lock packed into a special design carton box  
Roller adjusted mechanism

~~Minimalna kolicina za narucivanje 300 kom~~

~~Minimum quantity for order 300 pcs~~

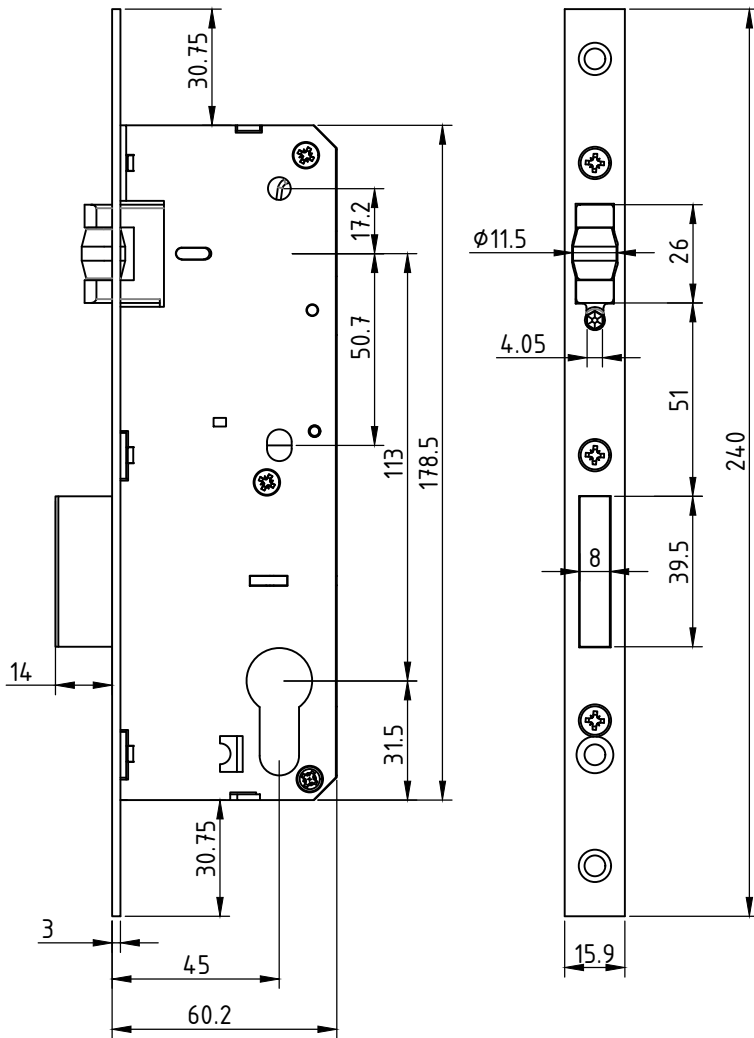
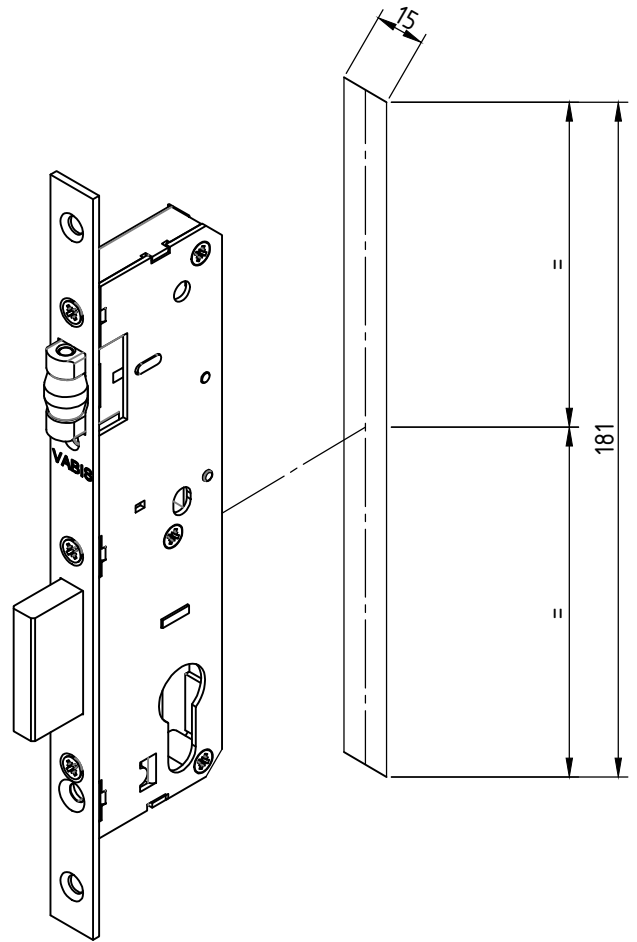
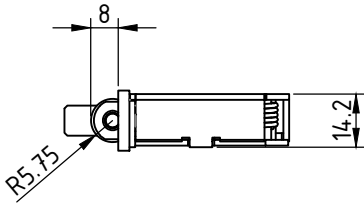
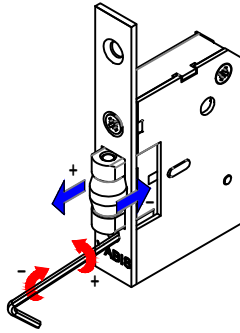
Naziv Name/Название	L (mm)	Artikal Code/Код					
Brava za PVC vrata 40/85/16 mm / Valjak Door locks PVC 40/85/16 mm / Roller Дверные замки ПВХ 40/85/16 mm /	240	70528	2	/	50/1	0.468	48 kut.

Podesavanje visine valjka

Valjak se podesava Imbus ključem 4, rotirajući levo ili desno valjak menja dužinu

Roller adjust

Allen key 4 - turn left and right to adjust roller length



Brava za PVC sa valjkom 45/85/16

Celo brave pocinkovano zasticeno od korozije

Svaka brava pakovana u specijalno dizajnirane kutije

Valjak sa mehanizmom za podesavanje

Door lock for PVC with roller 45/85/16 mm




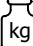

Zink plated forehead corrosion resistance

Every single door lock packed into a special design carton box

Roller adjusted mechanism

~~Minimalna kolicina za narucivanje 300 kom~~

~~Minimum quantity for order 300 pcs~~

Naziv Name/Название	L (mm)	Artikal Code/Код					
Brava za PVC vrata 45/85/16 mm / Valjak Door locks PVC 45/85/16 mm / Roller Дверные замки ПВХ 45/85/16 mm /	240	70529	2	/	50/1	0.505	48 kut.

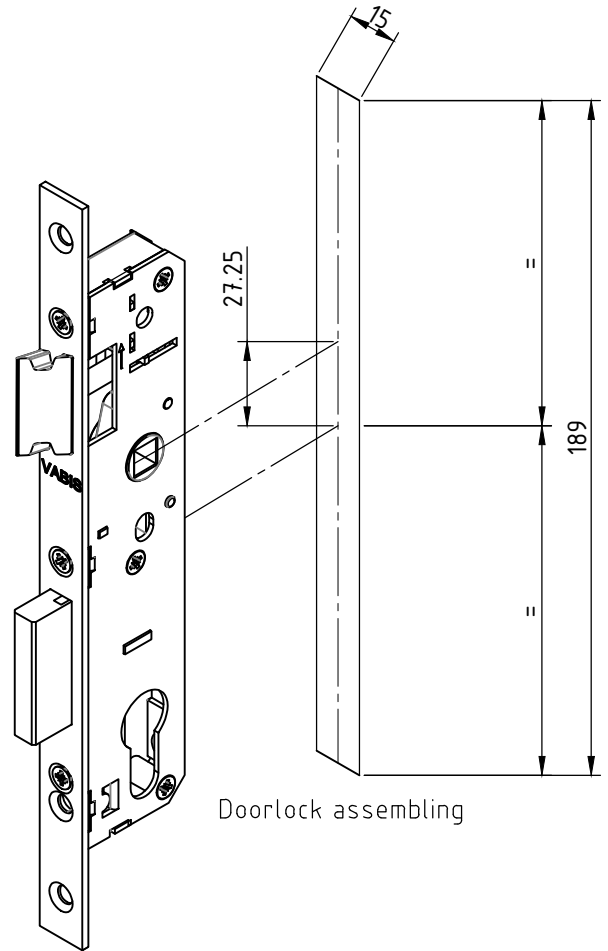
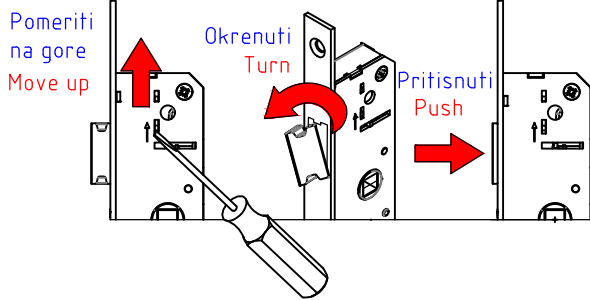


# Okov za vrata

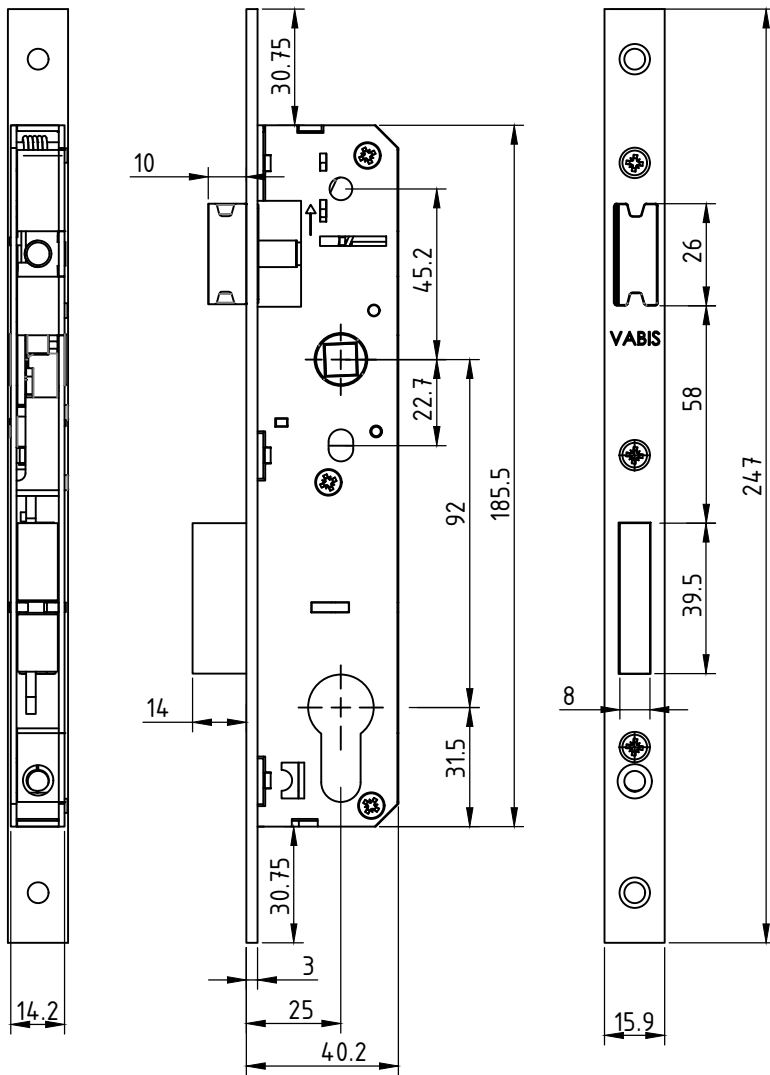
## Door fittings

## Дверная фурнитура

Način okretanja jezička brave  
za desna i leva vrata  
Doorlock setup - orientation  
change for right and left doors



Doorlock assembling



Brava za PVC vrata 25/92/16 mm

Cetvrtka 8x8

Pocinkovano celo otporno na koroziju

Svaka brava upakovana u specijalno dizajnirane kutije

Door lock PVC 25/92/16 mm






8x8 mm square

Zink plated forehead corrosion resistance

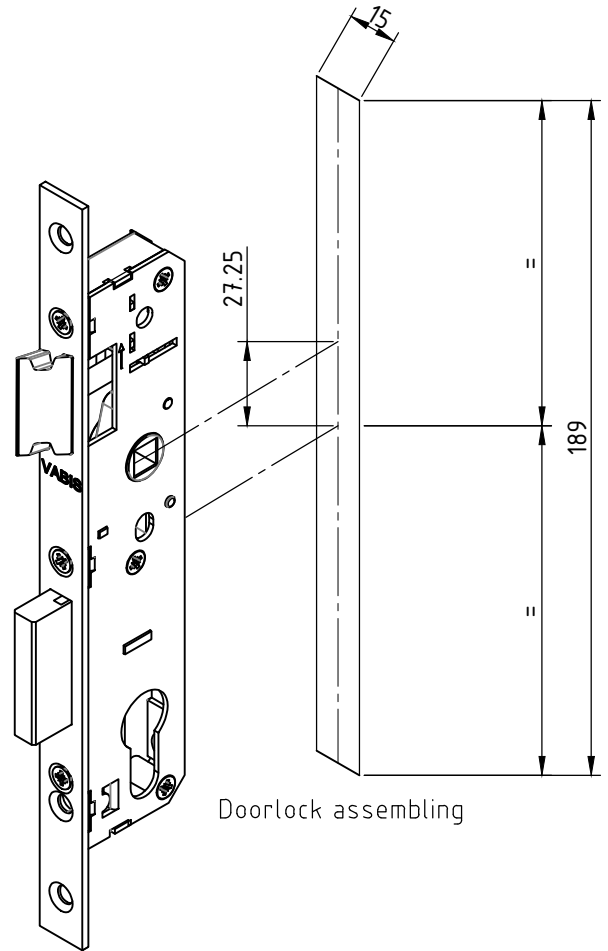
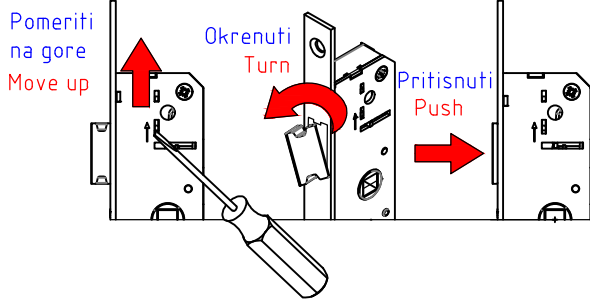
Every single door lock packed into a special design carton box

 Standardna varijanta

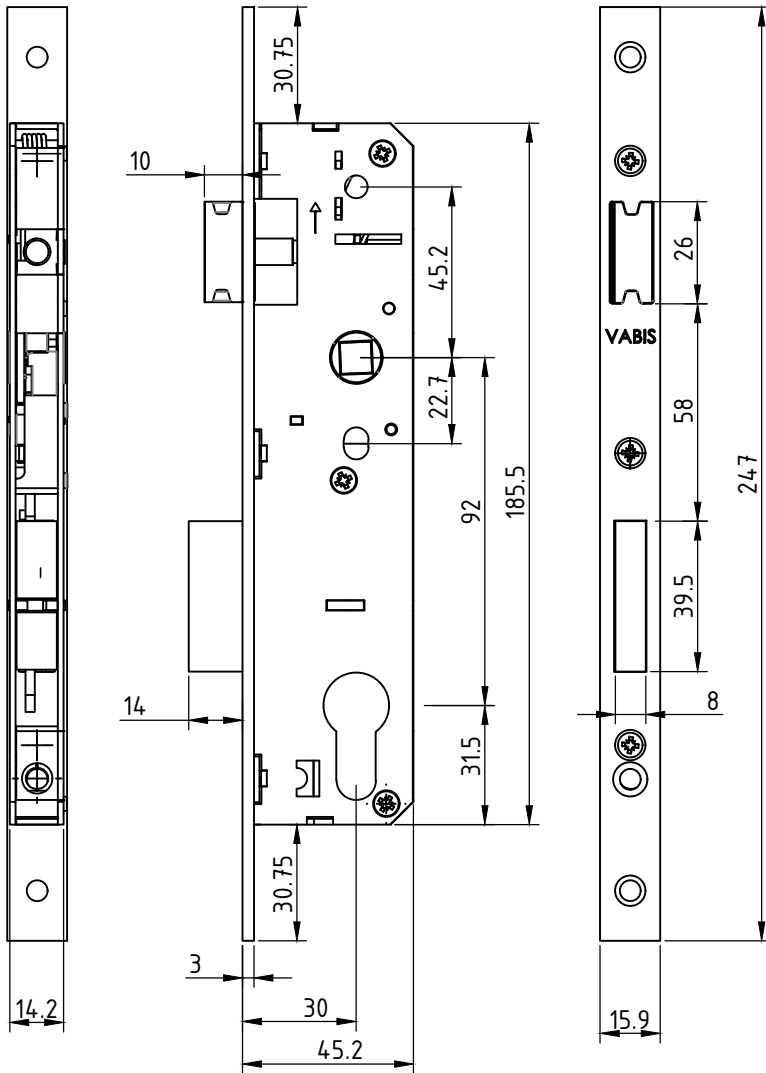
 Standard variant

Naziv Name/Название	L (mm)	Artikal Code/Код					
Brava za PVC vrata 25/92/16 mm Door locks PVC 25/92/16 mm Дверные замки ПВХ 25/92/16 mm	247	70700	2	/	50/1	0.362	48 kut.

Način okretanja jezička brave  
za desna i leva vrata  
Doorlock setup - orientation  
change for right and left doors



Doorlock assembling








Brava za PVC vrata 30/92/16 mm  
Četvrtka 8x8  
Pocinkovano celo otporno na  
koroziju  
Svaka brava upakovana u  
specijalno dizajnirane kutije

Door lock PVC 30/92/16 mm  
8x8 mm square  
Zink plated forehead corrosion  
resistance  
Every single door lock packed  
into a special design carton box

Minimalna količina za narucivanje  
300 kom

Minimum quantity for order  
300 pcs

Naziv Name/Название	L (mm)	Artikal Code/Код					
Brava za PVC vrata 30/92/16 mm / Door locks PVC 30/92/16 mm / Дверные замки ПВХ 30/92/16 mm	247	70720	2	/	1	0.400	48 kut.



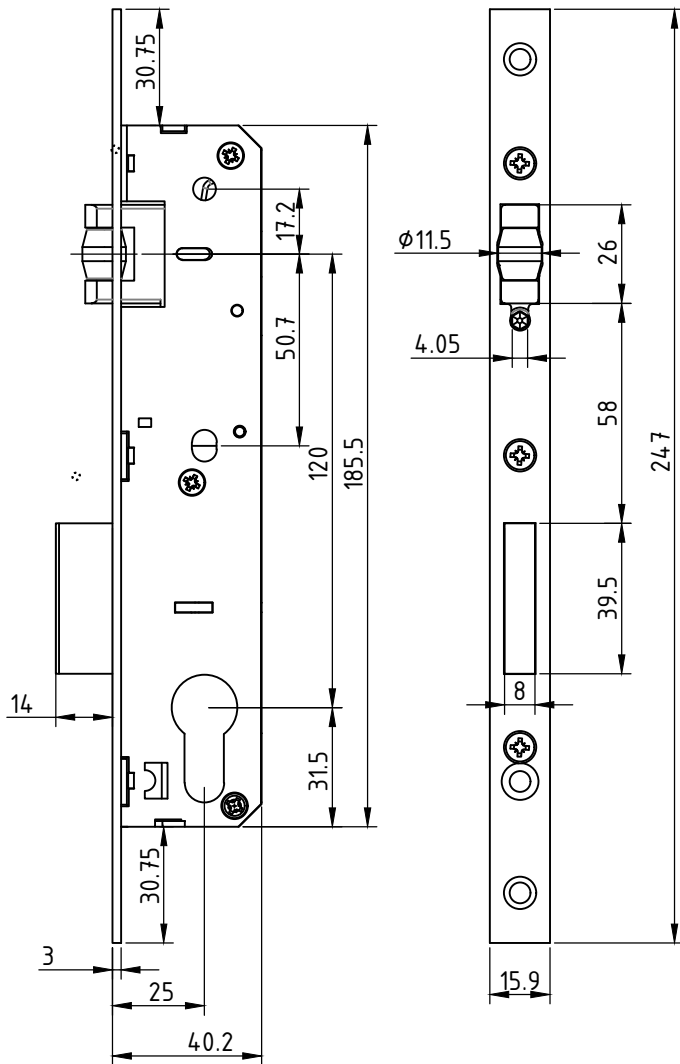
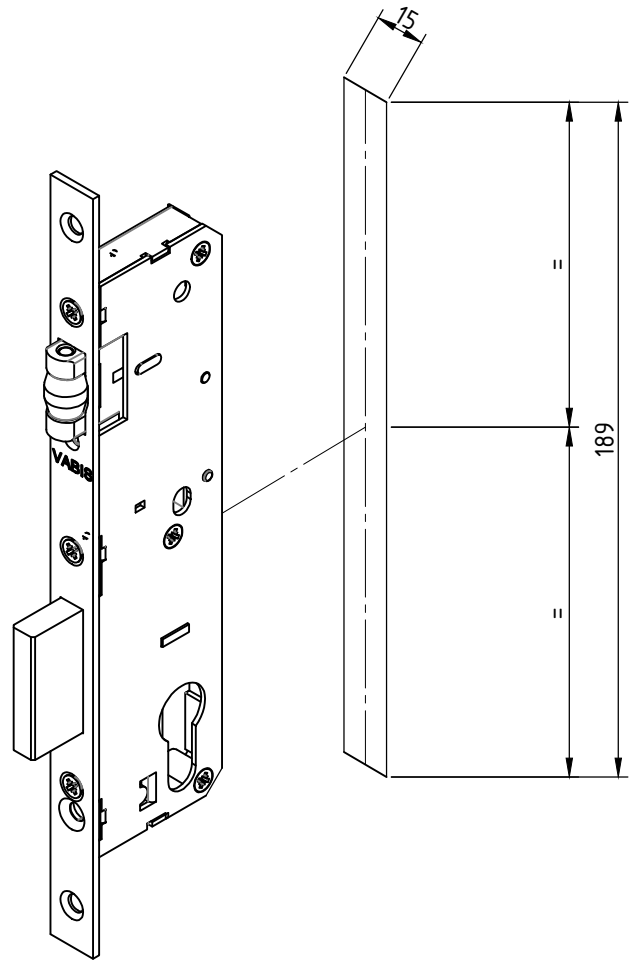
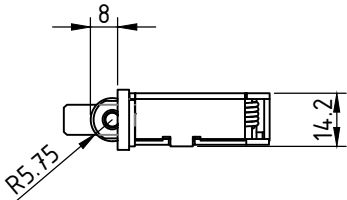
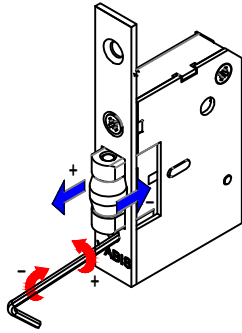


Podesavanje visine valjka

Valjak se podesava Imbus ključem 4, rotirajući levo ili desno valjak menja dužinu

Roller adjust

Allen key 4 - turn left and right to adjust roller length



Brava za PVC sa valjkom  
25/92/16

Celo brave pocinkovano  
zasticeno od korozije

Svaka brava pakovana u  
specijalno dizajnirane kutije  
Valjak sa mehanizmom za  
podesavanje




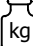

Door lock for PVC with roller  
25/92/16 mm

Zink plated forehead corrosion  
resistance

Every single door lock packed  
into a special design carton box  
Roller adjusted mechanism

Minimalna kolicina za narucvanje  
300 kom

Minimum quantity for order  
300 pcs

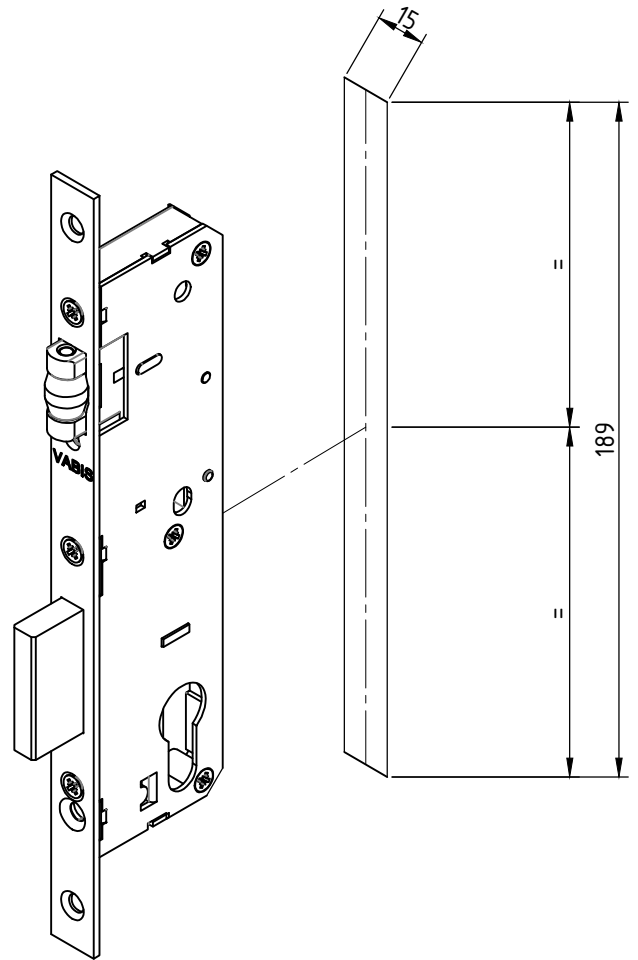
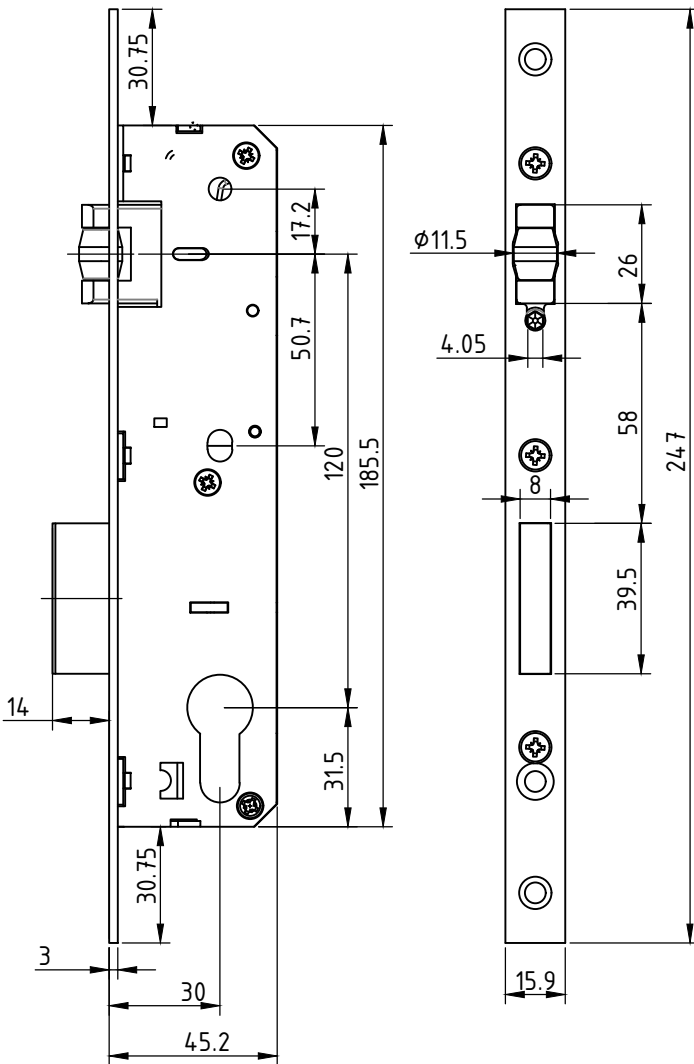
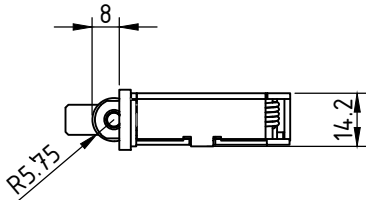
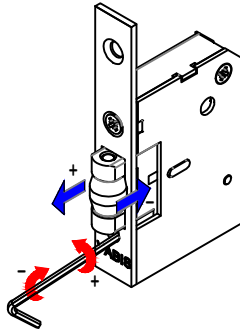
Naziv Name/Название	L (mm)	Artikal Code/Код					
Brava za PVC vrata 25/92/16 mm / Valjak Door locks PVC 25/92/16 mm / Roller Дверные замки ПВХ 25/92/16 mm /	247	70515	2	/	50/1	0.363	48 kut.

Podesavanje visine valjka

Valjak se podesava Imbus ključem 4, rotirajući levo ili desno valjak menja dužinu

Roller adjust

Allen key 4 - turn left and right to adjust roller length



Brava za PVC sa valjkom 35/92/16

Celo brave pocinkovano zasticeno od korozije

Svaka brava pakovana u specijalno dizajnirane kutije

Valjak sa mehanizmom za podesavanje

Door lock for PVC with roller 35/92/16 mm




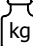

Zink plated forehead corrosion resistance

Every single door lock packed into a special design carton box

Roller adjusted mechanism

~~Minimalna kolicina za narucivanje 300 kom~~

~~Minimum quantity for order 300 pcs~~

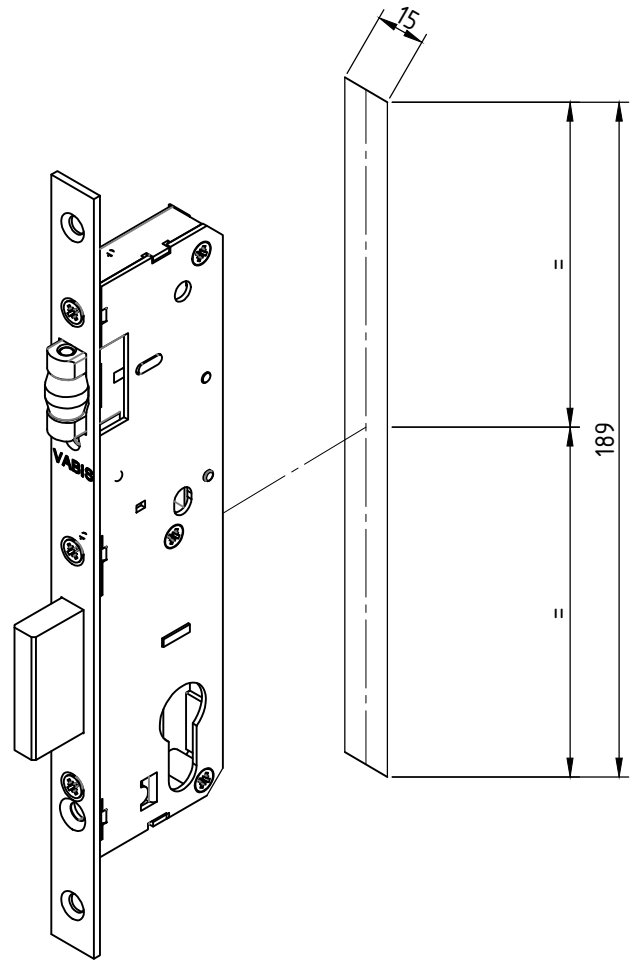
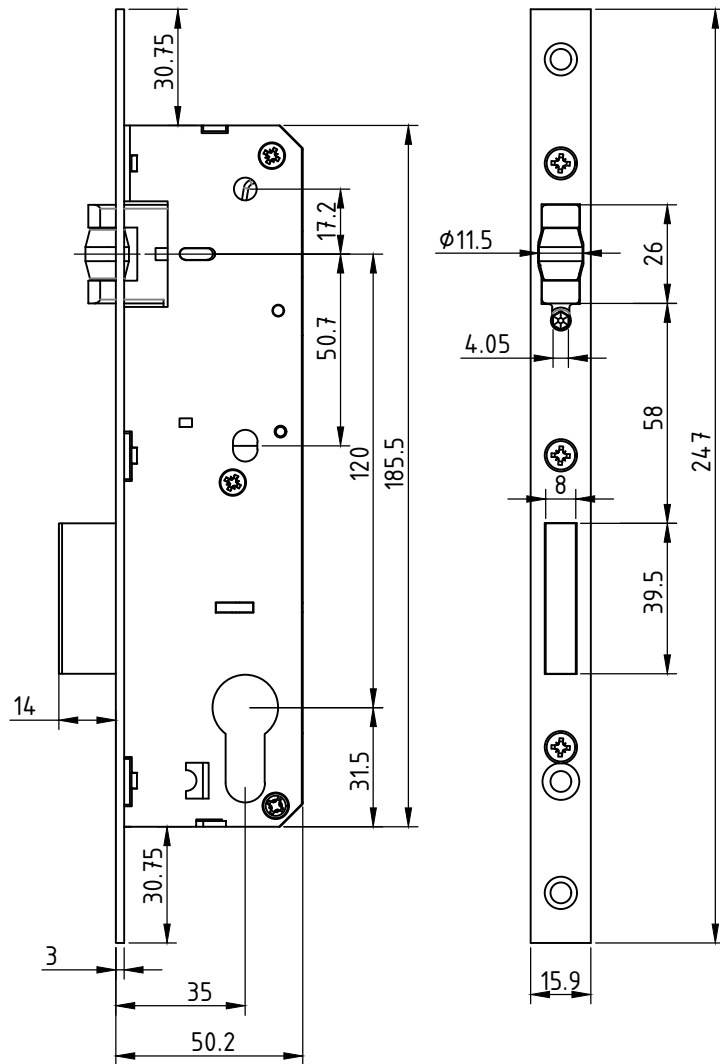
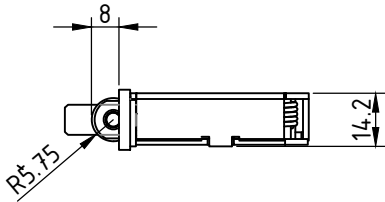
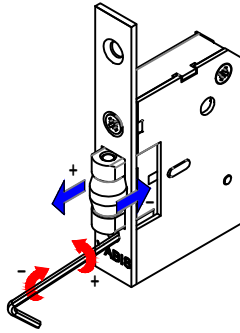
Naziv Name/Название	L (mm)	Artikal Code/Код					
Brava za PVC vrata 30/92/16 mm / Valjak Door locks PVC 30/92/16 mm / Roller Дверные замки ПВХ 30/92/16 mm /	247	70516	2	/	50/1	0.401	48 kut.

Podesavanje visine valjka

Valjak se podesava Imbus ključem 4, rotirajući levo ili desno valjak menja dužinu

Roller adjust

Allen key 4 - turn left and right to adjust roller length



Brava za PVC sa valjkom 35/92/16

Celo brave pocinkovano zasticeno od korozije

Svaka brava pakovana u specijalno dizajnirane kutije

Valjak sa mehanizmom za podesavanje

Door lock for PVC with roller 35/92/16 mm




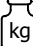

Zink plated forehead corrosion resistance

Every single door lock packed into a special design carton box

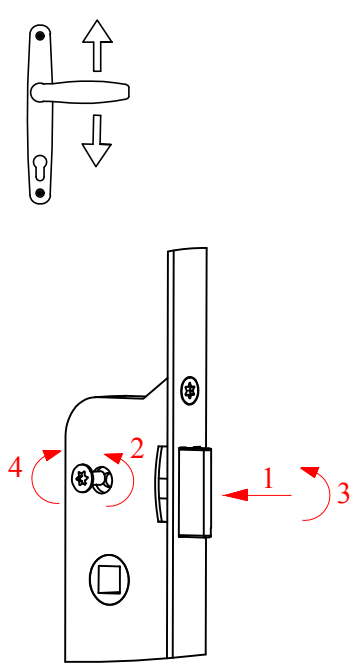
Roller adjusted mechanism

Minimalna količina za narucivanje 300 kom

Minimum quantity for order 300 pcs

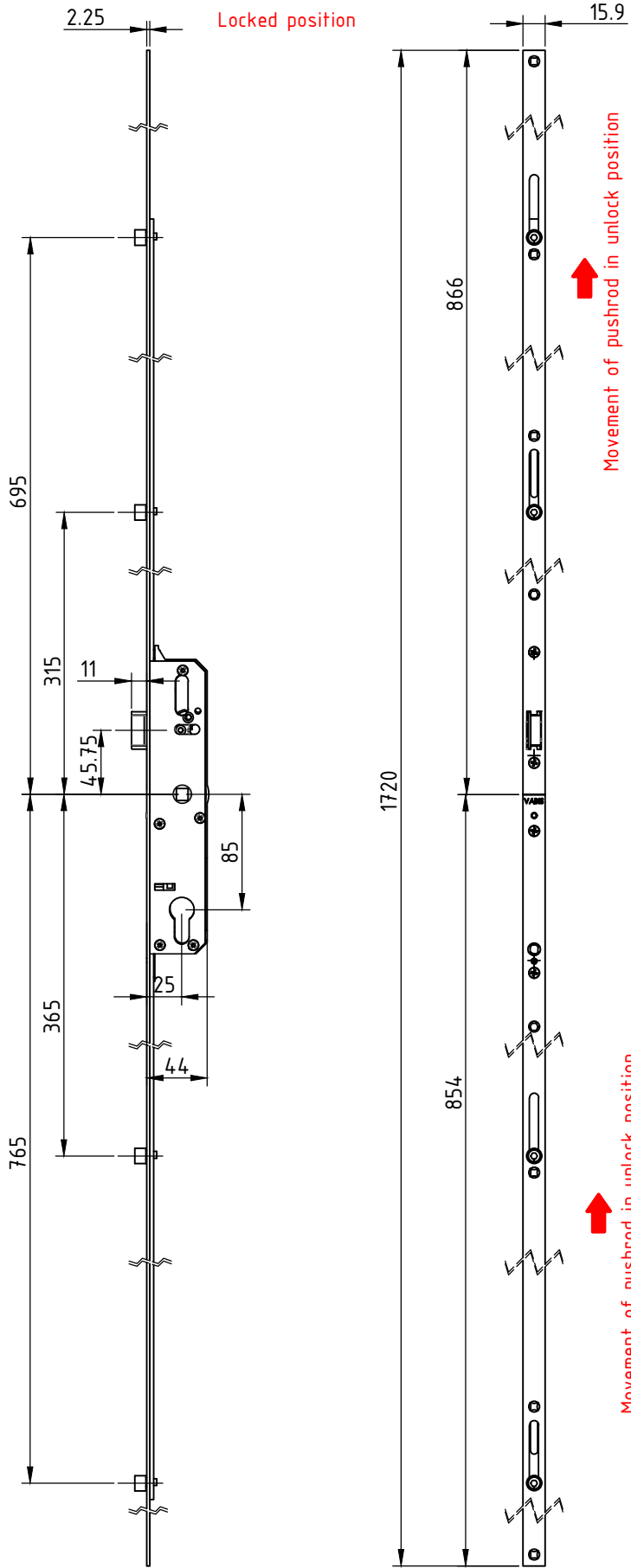
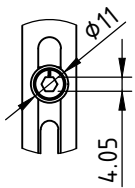
Naziv Name/Название	L (mm)	Artikal Code/Код					
Brava za PVC vrata 35/92/16 mm / Valjak Door locks PVC 35/92/16 mm / Roller Дверные замки ПВХ 35/92/16 mm /	247	70517	2	/	50/1	0.439	48 kut.

Okov za vrata  
 Door fittings  
 Дверная фурнитура



- 1 - Pritisnuti gornji jezičak
- 2 - Odvrteti vijak
- 3 - Povuci jezičak da izadje, okrenuti jezičak, zatim vratiti jezičak u ležište
- 4 - Zavrteti vijak

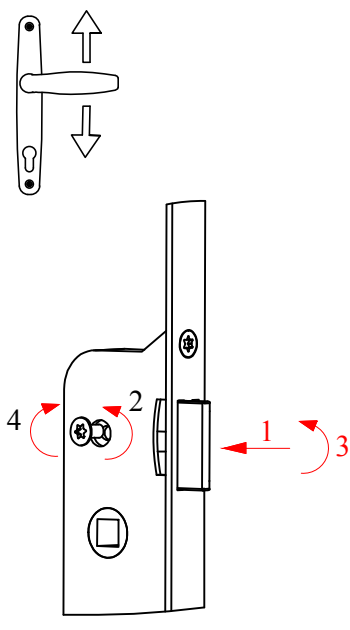
- 1 - Push latch bolt
- 2 - Unscrew
- 3 - Pull out latch bolt to go out, turn the latch bolt, and push latch bolt
- 4 - Turn the screw



Naziv Name/Название	L (mm)	Artikal Code/Код				kg	
Petozatvorna brava na potez PVC 25/85/16 / Door locks PVC 25/85/16 mm / Дверные замки ПВХ 25/85/16 mm	1720	70555	8	4	1/5/50	0.992	

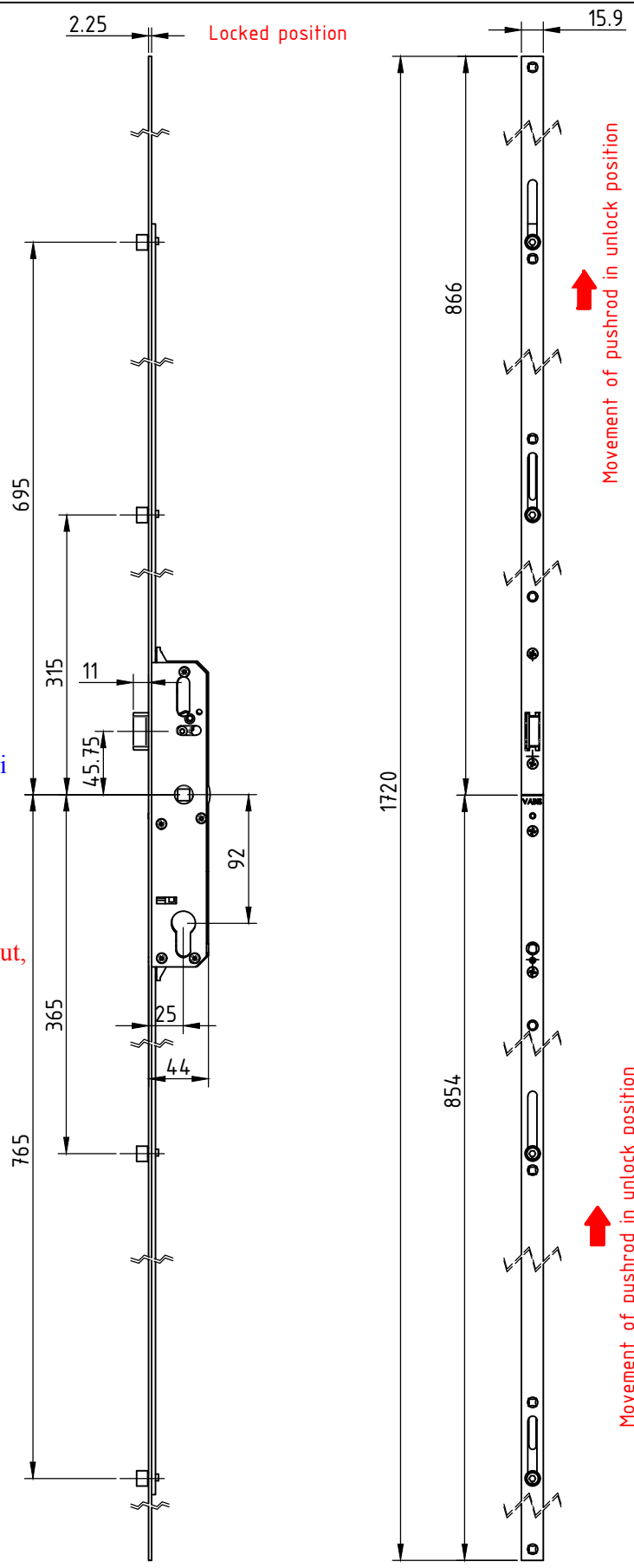
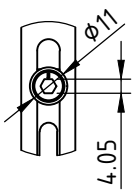


Okov za vrata  
 Door fittings  
 Дверная фурнитура



- 1 - Pritisnuti gornji jezičak
- 2 - Odvrteti vijak
- 3 - Povuci jezičak da izadje, okrenuti jezičak, zatim vratiti jezičak u ležište
- 4 - Zavrteti vijak

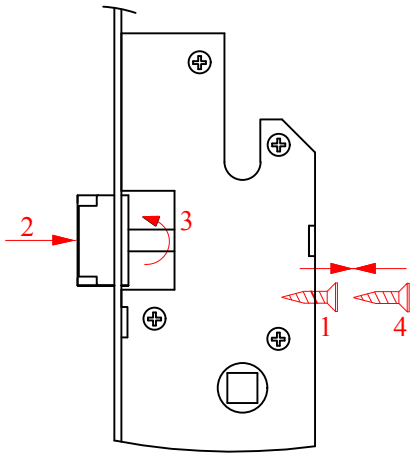
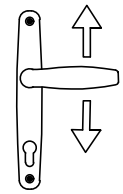
- 1 - Push latch bolt
- 2 - Unscrew
- 3 - Pull out latch bolt to go out, turn the latch bolt, and push latch bolt
- 4 - Turn the screw



Naziv Name/Название	L (mm)	Artikal Code/Код				kg	
Petozatvorna brava na potez PVC 25/92/16 / Door locks PVC 25/92/16 mm / Дверные замки ПВХ 25/92/16 mm	1720	70535	8	4	1/5/50	0.971	

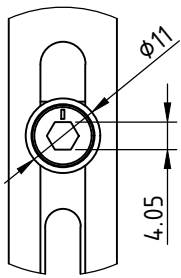


Okov za vrata  
 Door fittings  
 Дверная фурнитура

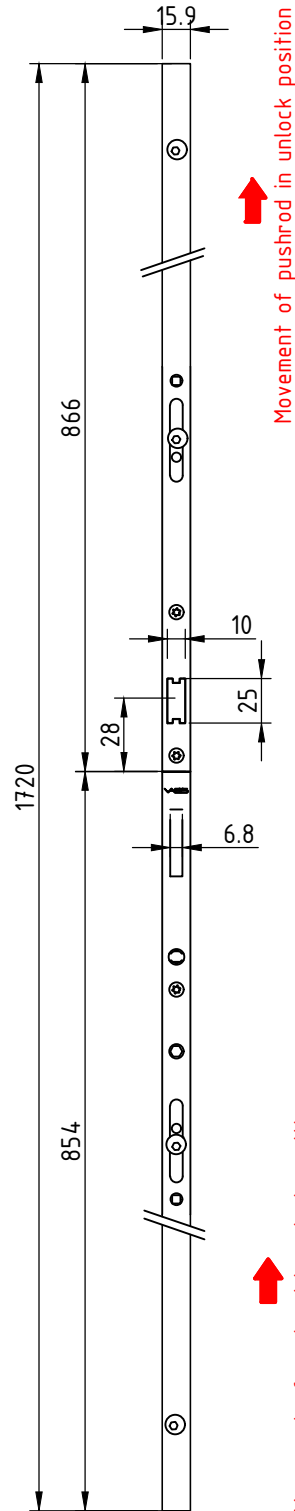
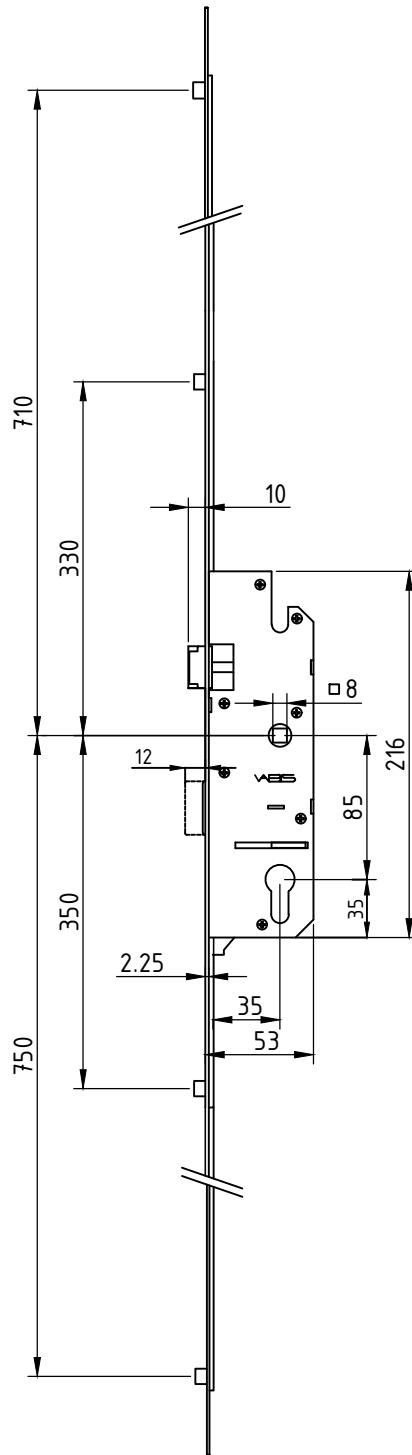






- 1 - Odvrteti vijak
- 2 - Pritisnuti jezičak
- 3 - Rotirati jezičak unutar kućišta
- 4 - Zavrteti vijak

- 1 - Unscrew
- 2 - Push latch bolt
- 3 - Rotate latch bolt inside housing
- 4 - Turn the screw

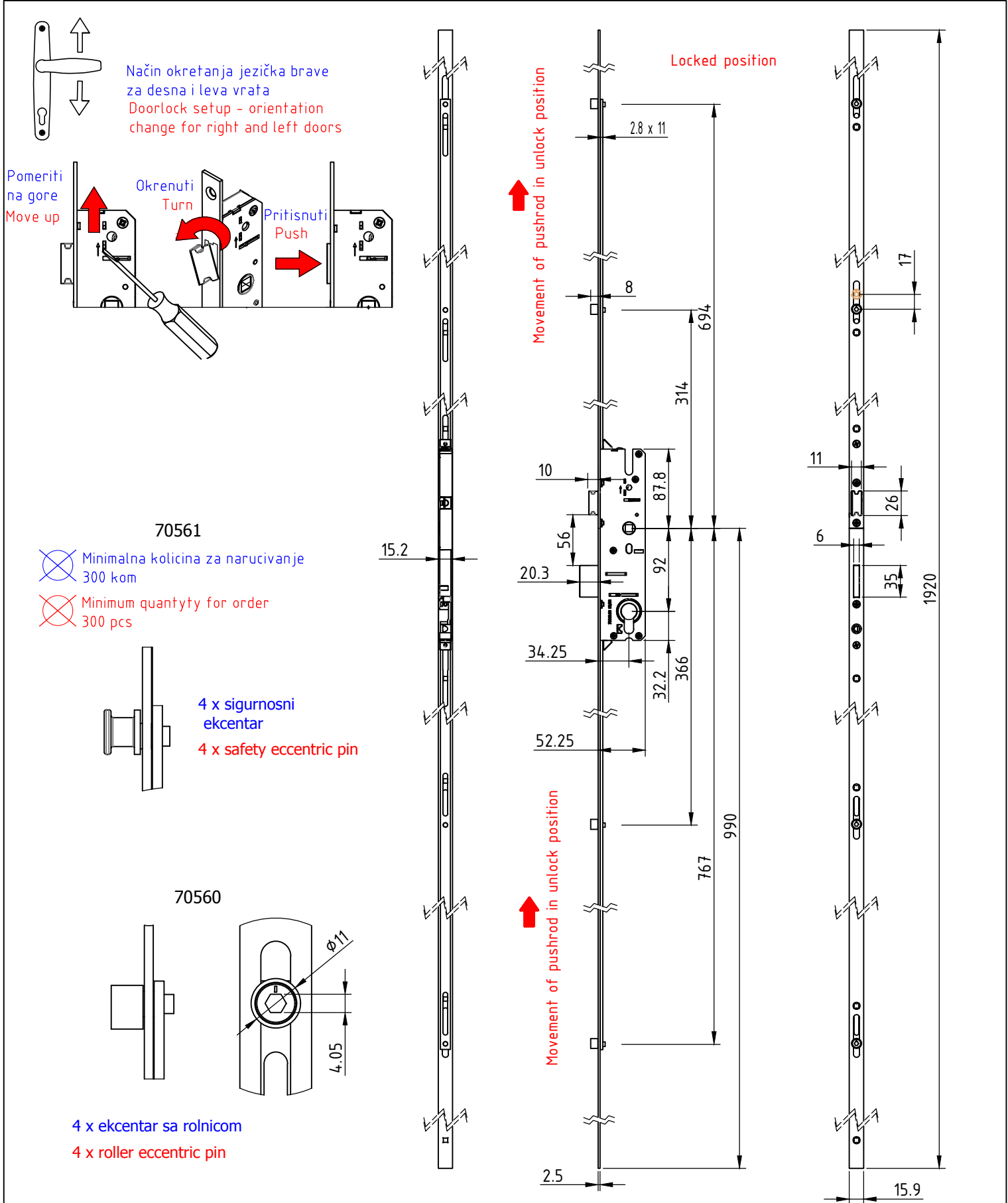


Locked position



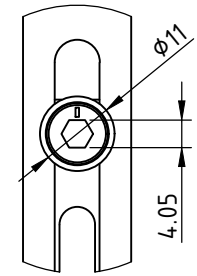
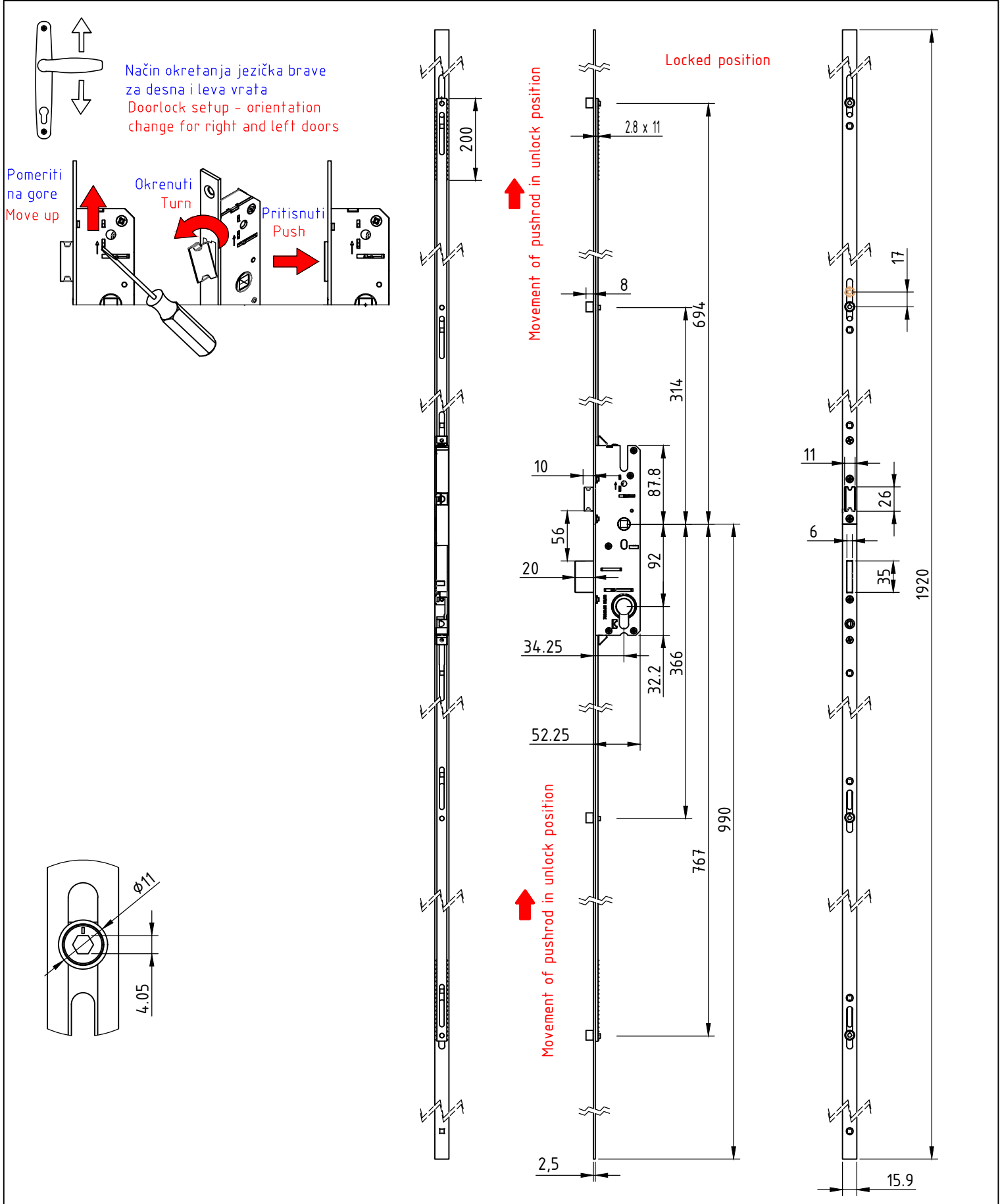
Poz Pos/Поз	Naziv Name/Название	L (mm)	Artikal Code/Код	VFK				
11.25	Petozatvorna brava za PVC vrata 35 mm Espagnolette with lock for doors 35 mm Дверные замки с ячейкой для цилиндра 35 мм	1720	70205	1720-/	8	2	5	1.069

**Okov za vrata**  
**Door fittings**  
**Дверная фурнитура**



Naziv Name/Название	L (mm)	Artikal Code/Код					
Petozatvorna brava na potez PVC 35/92/16 / Door locks PVC 35/92/16 mm / Дверные замки ПВХ 35/92/16 mm	1920	70560 70561	7	4	200/1	1.257	

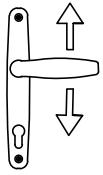
Okov za vrata  
 Door fittings  
 Дверная фурнитура



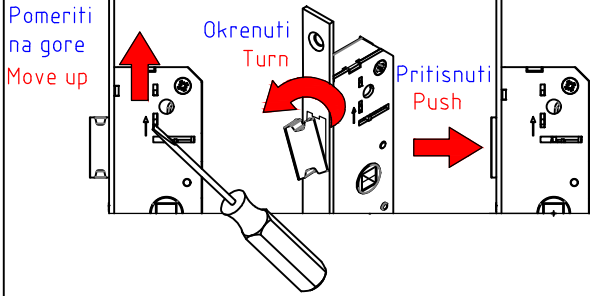
Naziv Name/Название	L (mm)	Artikal Code/Код					
Petozatvorna brava na poŕez sa zupčastom letvom PVC 35/92/16 / Door locks with toothed rack PVC 35/92/16 mm / Дверные замки ПВХ 35/92/16 mm	1920	70565	7	4	200/1	1.297	



Okov za vrata  
 Door fittings  
 Дверная фурнитура

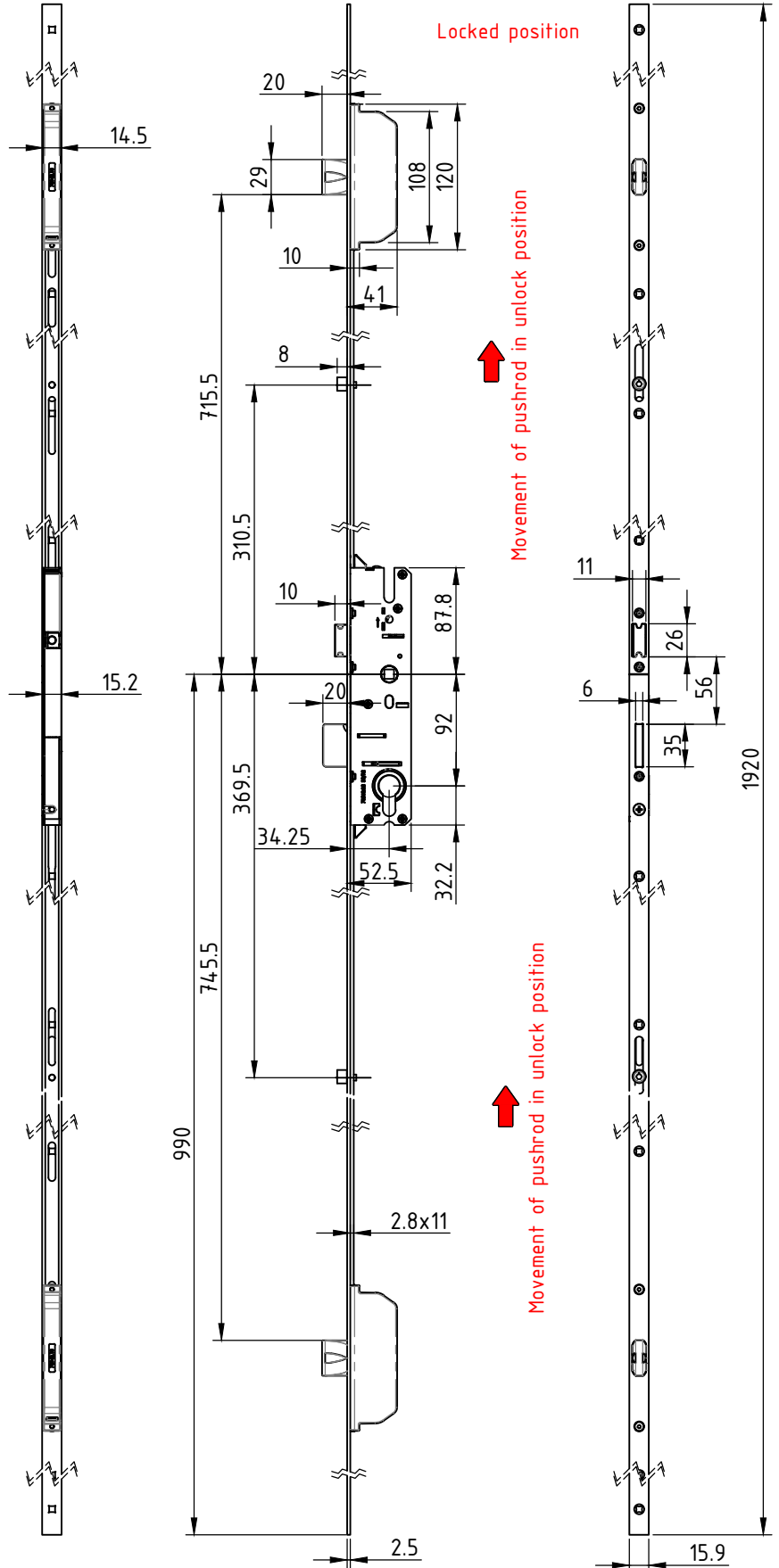
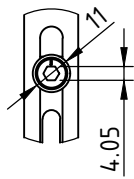
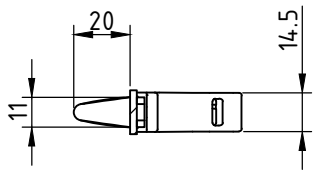


Način okretanja jezička brave  
 za desna i leva vrata  
 Doorlock setup - orientation  
 change for right and left doors



Pocinkovano celo	70570
INOX čelo	70575

Zink forehead	70570
INOX forehead	70575

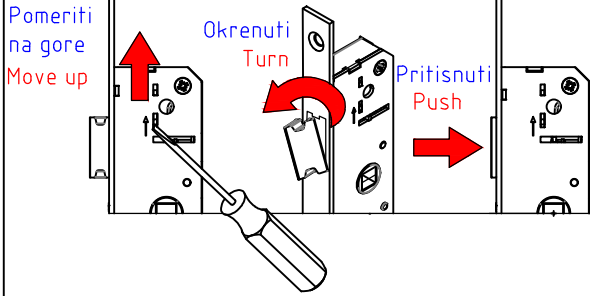


Naziv Name/Название	L (mm)	Artikal Code/Код					
Petozatvorna brava na potez sa jezickom PVC 35/92/16 / Door locks PVC 35/92/16 mm / Дверные замки ПВХ 35/92/16 mm	1920	70570 70575	8	4	50/1	1.297	

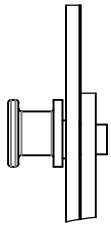
Okov za vrata  
 Door fittings  
 Дверная фурнитура



Način okretanja jezička brave  
 za desna i leva vrata  
 Doorlock setup - orientation  
 change for right and left doors

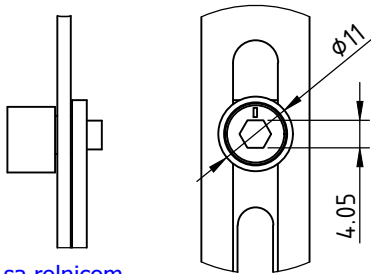


70905 S

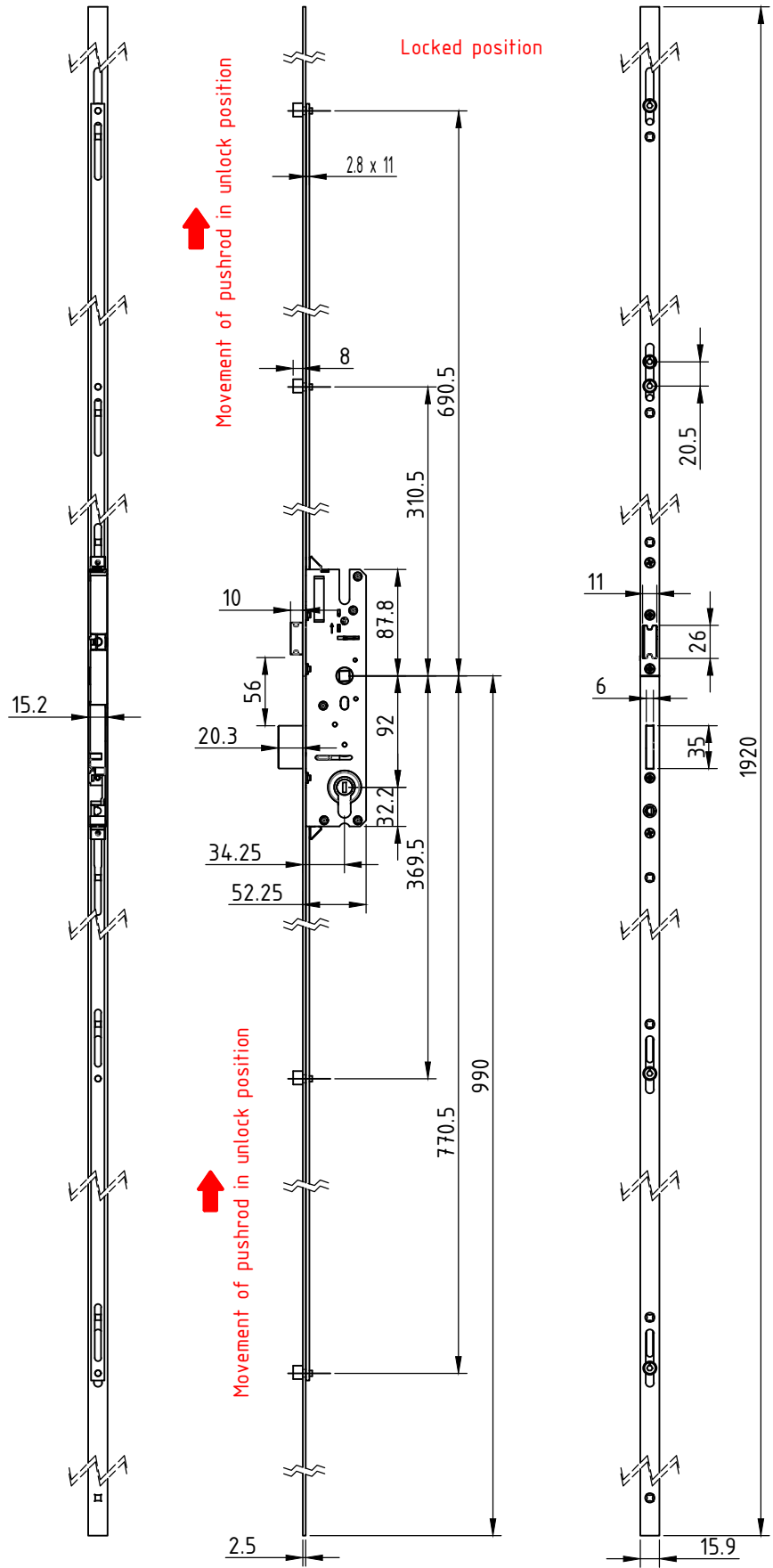


4 x sigurnosni  
 ekcentar  
 4 x safety eccentric pin

70905



4 x ekcentar sa rolnicom  
 4 x roller eccentric pin

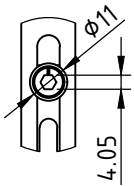
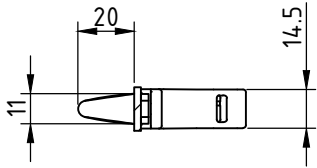
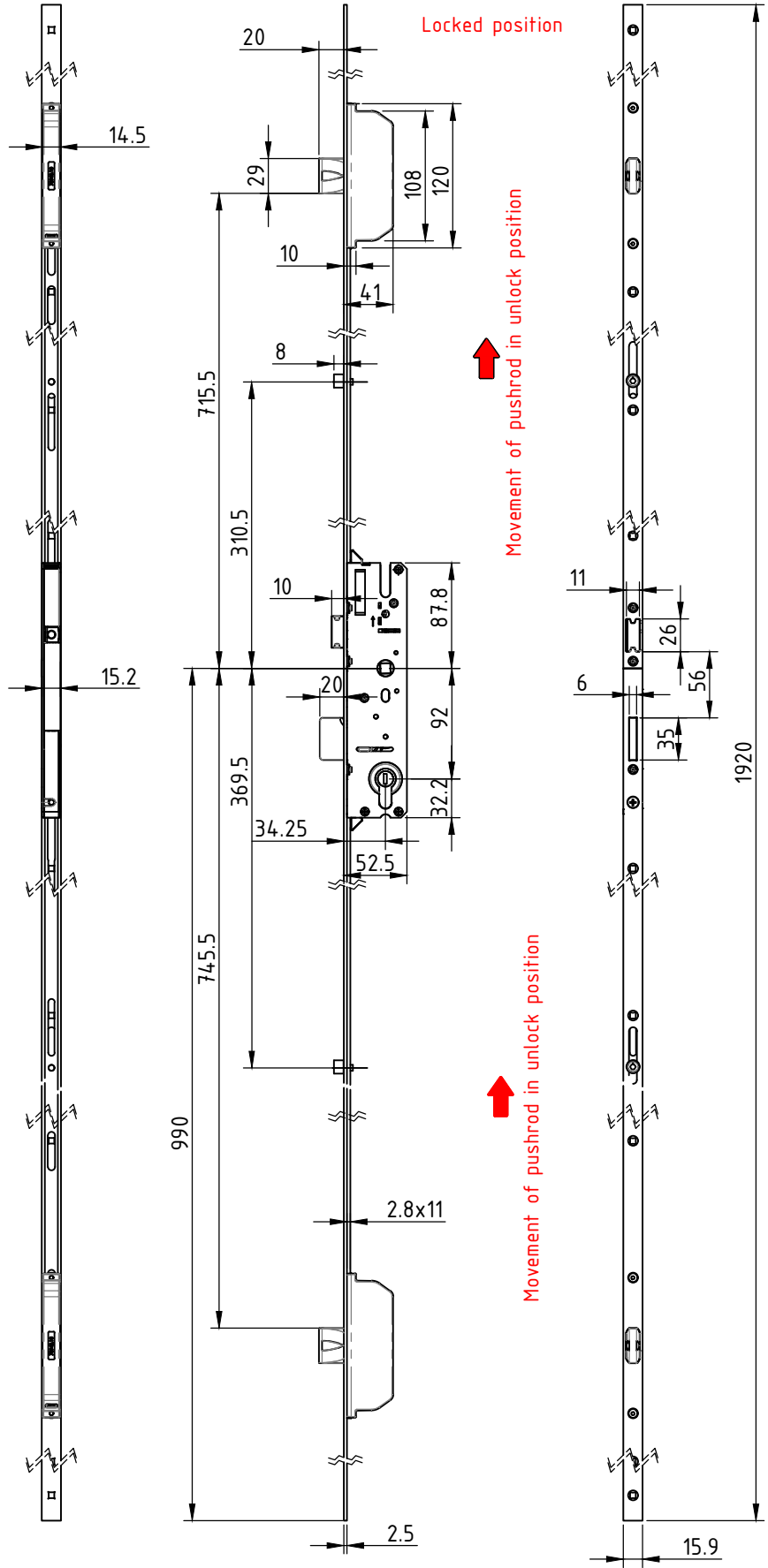
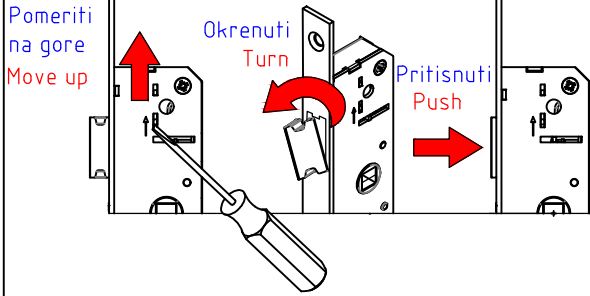


Naziv Name/Название	L (mm)	Artikal Code/Код				kg	
Petozatvorna brava na kljuc PVC 35/92/16 / Door locks PVC 35/92/16 mm / Дверные замки ПВХ 35/92/16 мм	1920	70905 70905 S	7	4	200/1	1.352 1.329	

Okov za vrata  
 Door fittings  
 Дверная фурнитура

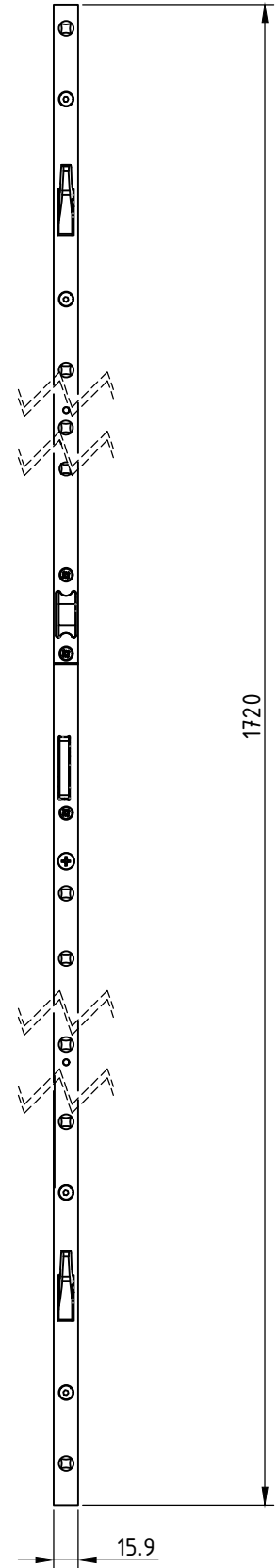
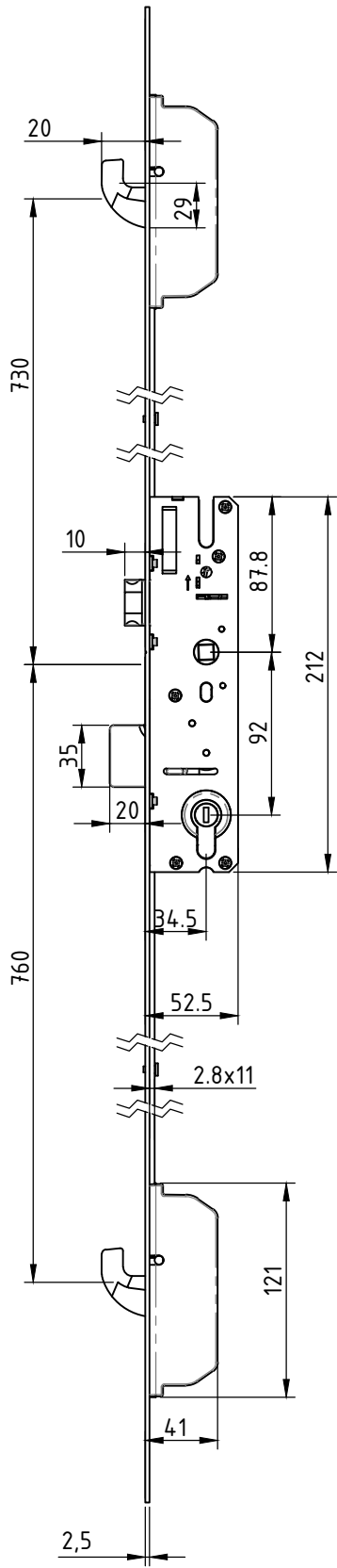
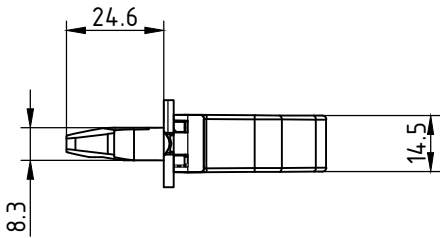
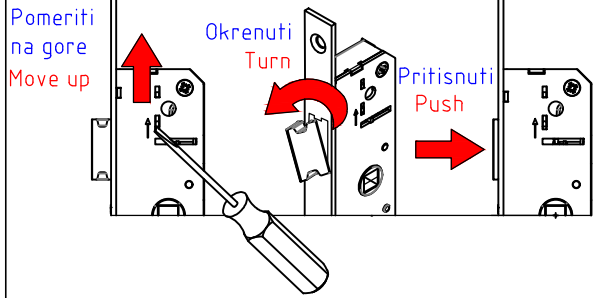


Način okretanja jezička brave  
 za desna i leva vrata  
 Doorlock setup - orientation  
 change for right and left doors



Naziv Name/Название	L (mm)	Artikal Code/Код				kg	
Petozatvorna brava na ključ sa jezičkom PVC 35/92/16 / Door locks PVC 35/92/16 mm / Дверные замки ПВХ 35/92/16 mm	1920	70930	7	4	50/1	1.885	

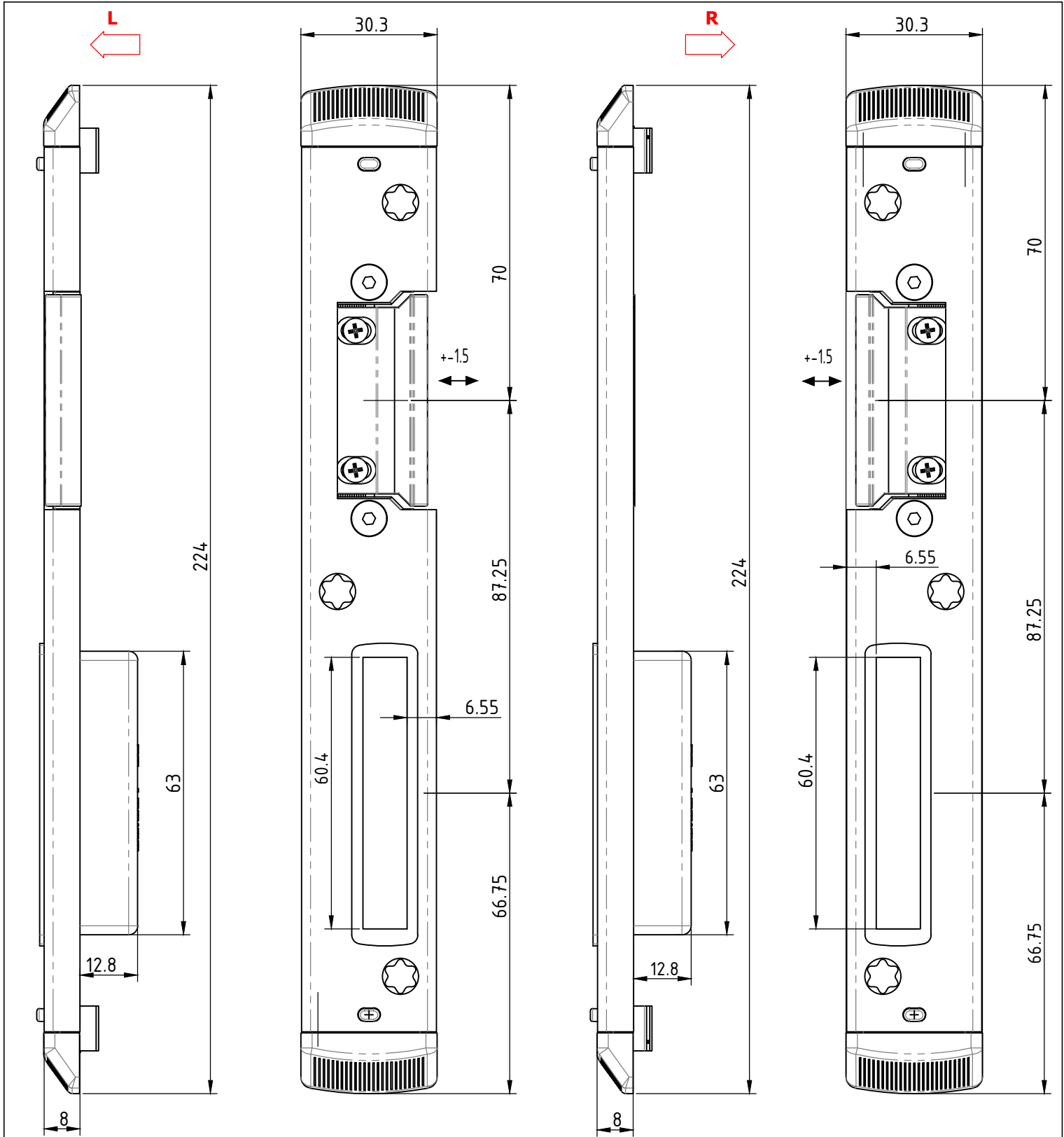
Okov za vrata  
 Door fittings  
 Дверная фурнитура



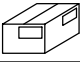




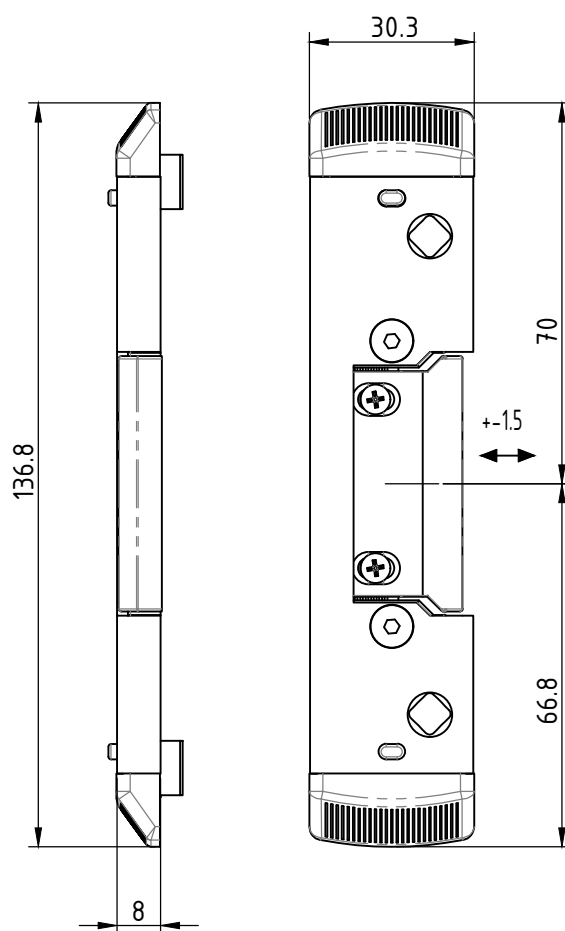
Poz Pos/Поз	Naziv Name/Название	L (mm)	Artikal Code/Код				kg	
	Petozativna brava za PVC vrata 35/92 - ključ (kljun) Multylock 5 points door lock PVC 35/92 - key (leather) Дверные замки 35/ 92 mm	1920	70920	8	/	1/5	1.885	



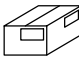

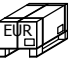


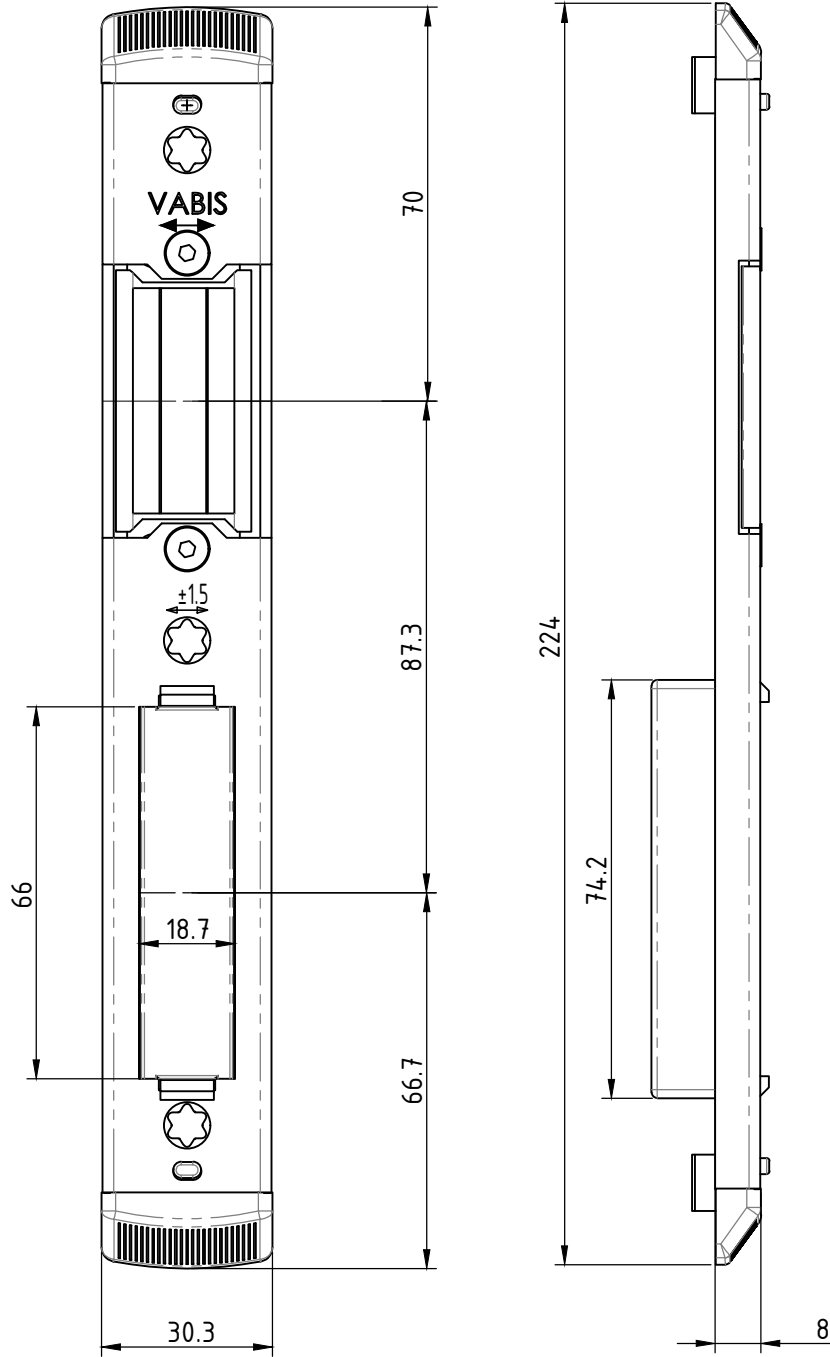
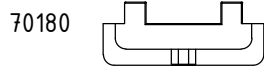
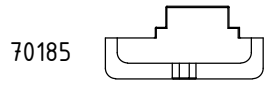
Okov za vrata  
 Door fittings  
 Дверная фурнитура



Poz Pos/Поз	Naziv Name/Название	L (mm)	Artikal Code/Код					
12.1	Prihvatnik brave za jednokrilna vrata - L Door lock striker - L/Встречные планки замка - Л	224	70150	3	/	1/100	0.142	48 kut.
	Prihvatnik brave za jednokrilna vrata - D Door lock striker - R/Встречные планки замка - П	224	70155	3	/	1/100	0.142	48 kut.
	Prihvatnik brave za dvokrilna vrata - L Door lock striker - L/Встречные планки замка - Л	224	70160	3	/	1/100	0.142	48 kut.
	Prihvatnik brave za dvokrilna vrata - D Door lock striker - R/Встречные планки замка - П	224	70165	3	/	1/100	0.142	48 kut.

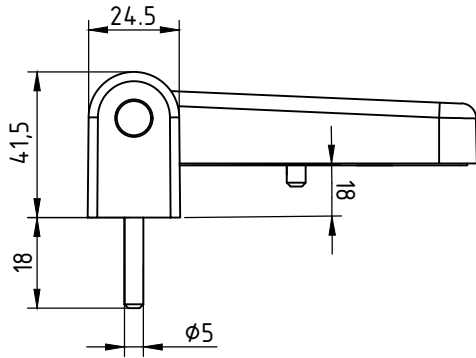


Poz Pos/Поз	Naziv Name/Название	L (mm)	Artikal Code/Код					
12.2	Prihvatnik brave za jednokrilna vrata Door lock striker/Встречные планки замка	136.8	70140	2	/	1/100	0.099	48 kut.
	Prihvatnik brave za dvokrilna vrata Door lock striker/Встречные планки замка	136.8	70145	2	/	1/100	0.099	48 kut.

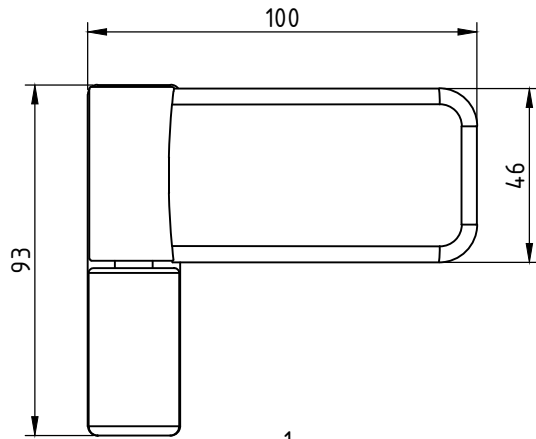


Poz Pos/Поз	Naziv Name/Название	L (mm)	Artikal Code/Код				kg	
12.2	Prihvatnik brave za jednokrnlina vrata Door lock striker/Встречные планки замка	224	70180	3	/	1/100	0.122	48 kut.
	Prihvatnik brave za dvokrnlina vrata Door lock striker/Встречные планки замка	224	70185	3	/	1/100	0.122	48 kut.

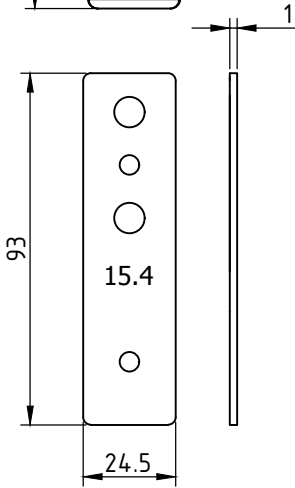
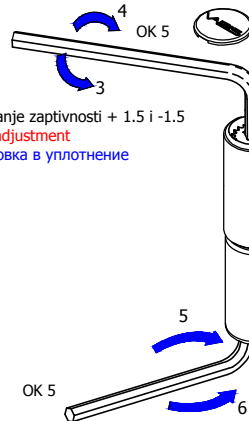
Okov za vrata  
 Door fittings  
 Дверная фурнитура



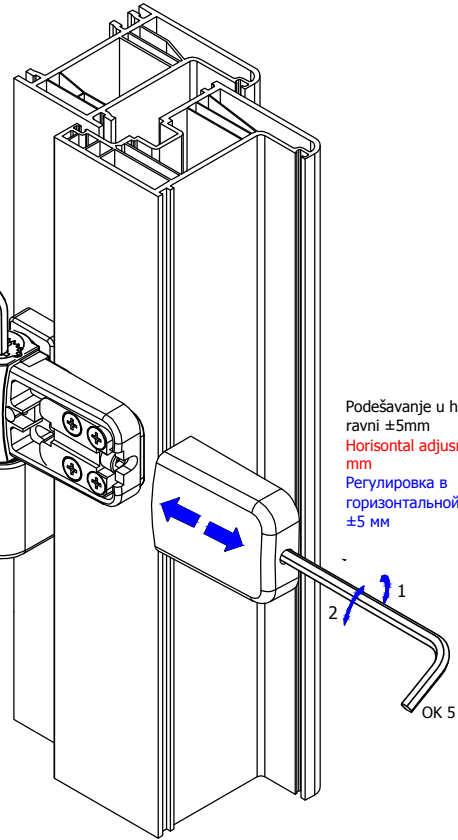
Nazubljena čaura se fiksira u željenom položaju postavljanjem pokrivne kape  
 Fix toothed knob in wanted position with placing the cap  
 Втулка фиксируется в нужном положении поместив накладку



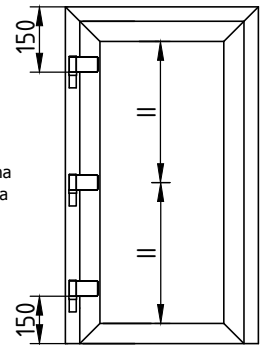
Podešavanje zaptivnosti + 1.5 i -1.5  
 Sealing adjustment  
 Регулировка в уплотнение



Vertikalno podešavanje iz nulte pozicije podizanje +5mm.  
 Vertical adjustment out of balanced position up +5mm, down.  
 Вертикальная регулировка в нулевое положение повышение 5 мм.



Podešavanje u horizontalnoj ravni ±5mm  
 Horizontal adjustment ±5 mm  
 Регулировка в горизонтальной плоскости ±5 мм



Preporučujemo da se ugradnja spojnice na PVC vrata izvrši na mestima označenim na crtežu.

Door hinge installation is recommended according to the drawing.

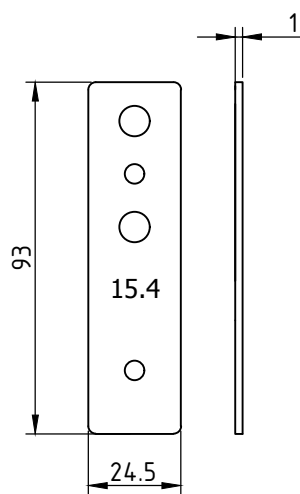
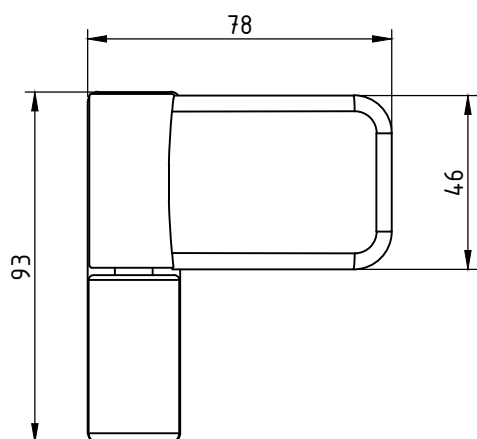
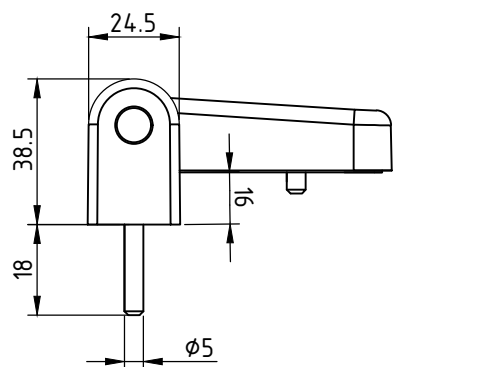
Рекомендуем для установки петли использовать чертеж.

Nosivost spojnice 100 kg.  
 Allowed load 100 kg.  
 Можность петли 100 кг.

Poz Pos/Поз	Naziv Name/Название	Artikal Code/Код	Boja Color/Цвет			kg	
15.3	Spojnica za PVC vrata Door hinge Петля фиксированная	20212-1	Bela, RAL 9016 White, RAL 9016/Белый, РАЛ 9016	6	20/1	0.411	240
		20212-7	Braon, RAL 8019/Brown, RAL 8019/Браун, РАЛ 8019	6	20/1	0.411	240
		20212-3	Siva, RAL 9006 Gray, RAL 9006/Серый, РАЛ 9006	6	20/1	0.411	240
		20212-4	Crna, RAL 9005 Black, RAL 9005/Черный, РАЛ 9005	6	20/1	0.411	240
15.4	Podloška za spojnicu Shiw for door hinge Вкладыш для петли	20211-1	Bela, RAL 9016 White, RAL 9016/Белый, РАЛ 9016	6	20/1	0.004	240
		20211-4	Crna, RAL 9005 Black, RAL 9005/Черный, РАЛ 9005	6	20/1	0.004	240



**Okov za vrata**  
**Door fittings**  
**Дверная фурнитура**

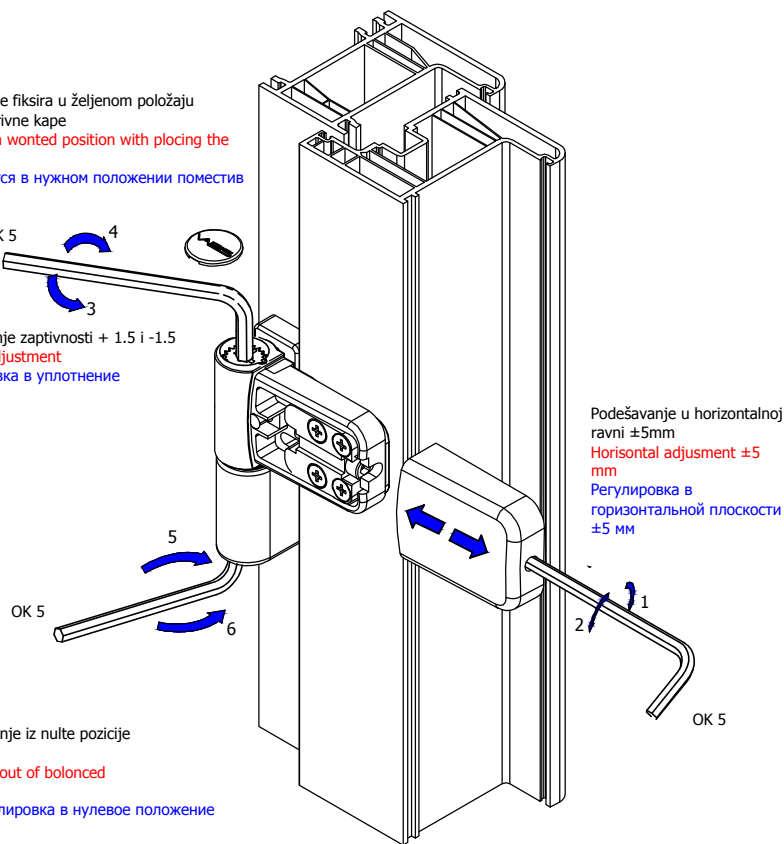


Nazubljena čaura se fiksira u željenom položaju postavljanjem pokrivne kape  
 Fix toothed knob in wanted position with placing the cap  
 Втулка фиксируется в нужном положении поместив накладку

OK 5  
 4  
 3  
 Podešavanje zaptivnosti + 1.5 i -1.5  
 Sealing adjustment  
 Регулировка в уплотнение

Vertikalno podešavanje iz nulte pozicije podizanje +5mm  
 Vertical adjustment out of balanced position up +5mm  
 Вертикальная регулировка в нулевое положение повышение 5 мм

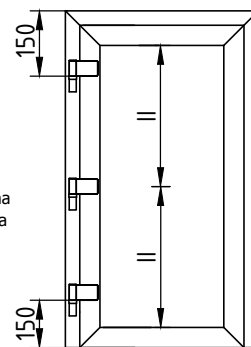
Podešavanje u horizontalnoj ravni ±5mm  
 Horizontal adjustment ±5 mm  
 Регулировка в горизонтальной плоскости ±5 мм



Preporučujemo da se ugradnja spojnice na PVC vrata izvrši na mestima označenim na crtežu.

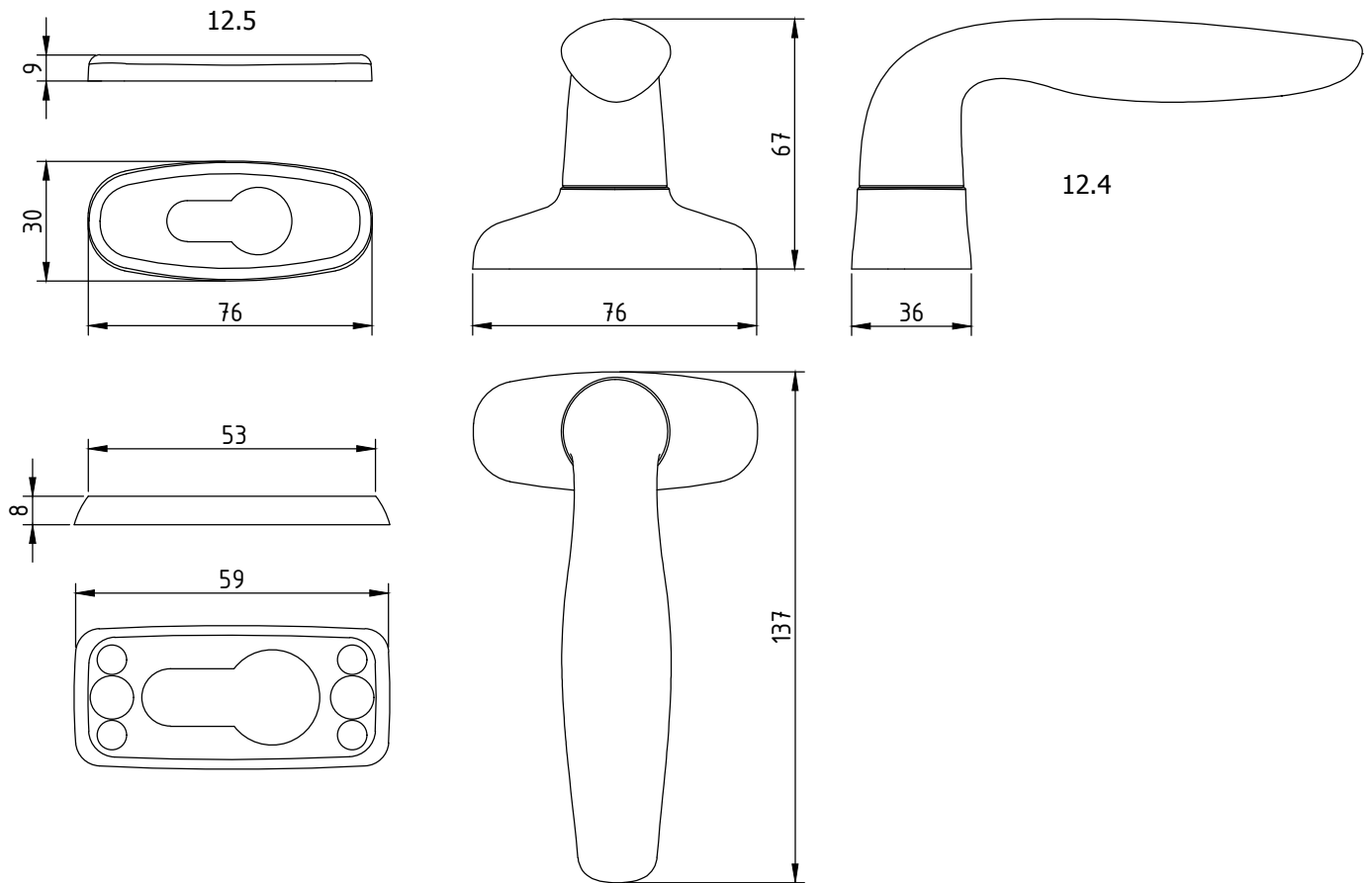
Door hinge installation is recommended according the drawing.

Рекомендуем для установки петли использовать чертеж.



Nosivost spojnice 80 kg.  
 Allowed load 80 kg.  
 Можно петли 80 кг.

Poz Pos/Поз	Naziv Name/Название	Artikal Code/Код	Boja Color/Цвет			kg	
15.3	Spojnica za PVC vrata Door hinge Петля фиксированная	20222-1	Bela, RAL 9016 White, RAL 9016/Белый, РАЛ 9016	6	20/1	0.396	240
		20222-7	Braon, RAL 8019/Brown, RAL 8019/Браун, РАЛ 8019	6	20/1	0.396	240
		20222-3	Siva, RAL 9006 Gray, RAL 9006/Серый, РАЛ 9006	6	20/1	0.396	240
		20222-4	Crna, RAL 9005 Black, RAL 9005/Черный, РАЛ 9005	6	20/1	0.396	240
15.4	Podloška za spojnicu Shiw for door hinge Вкладыш для петли	20211-1	Bela, RAL 9016 White, RAL 9016/Белый, РАЛ 9016	6	20/1	0.004	240
		20211-4	Crna, RAL 9005 Black, RAL 9005/Черный, РАЛ 9005	6	20/1	0.004	240



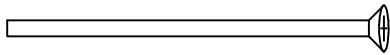
Četvrtka	8x8x145	za sve profile	1 kom
Quadrate		for all profiles	
Стержень стальной		для всех профилей	

Poz Pos/Поз	Naziv Name/Название	Artikal Code/Код	Boja Color/Цвет			kg	
12.4	Kvaka za ulazna vrata Door handle Дверной защелки	80110-1	Bela, RAL 9016 White, RAL 9016/Белый, РАЛ 9016	2	20/1	0.448	48 kut.
		80110-7	Braon, RAL 8019 Brown, RAL 8019/Браун, РАЛ 8019	2	20/1	0.448	48 kut.
		80110-3	Siva, RAL 9006 Gray, RAL 9006/Серый, РАЛ 9006	2	20/1	0.448	48 kut.
		80110-4	Crna, RAL 9005 Black, RAL 9005/Черный, РАЛ 9005	2	20/1	0.448	48 kut.
12.5	Maska za cilindar brave Cylinder cap Накладка цилиндра замка	80410-1	Bela, RAL 9016 White, RAL 9016/Белый, РАЛ 9016	2	20/1	0.038	48 kut.
		80410-7	Braon, RAL 8019 Brown, RAL 8019/Браун, РАЛ 8019	2	20/1	0.038	48 kut.
		80410-3	Siva, RAL 9006 Gray, RAL 9006/Серый, РАЛ 9006	2	20/1	0.038	48 kut.
		80410-4	Crna, RAL 9005 Black, RAL 9005/Черный, РАЛ 9005	2	20/1	0.038	48 kut.

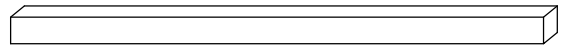
# Okov za vrata

## Door fittings

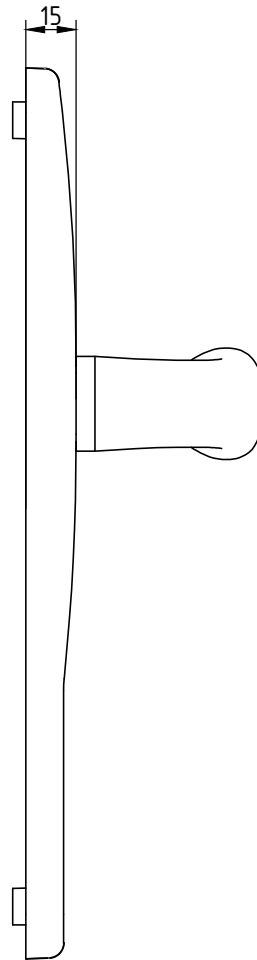
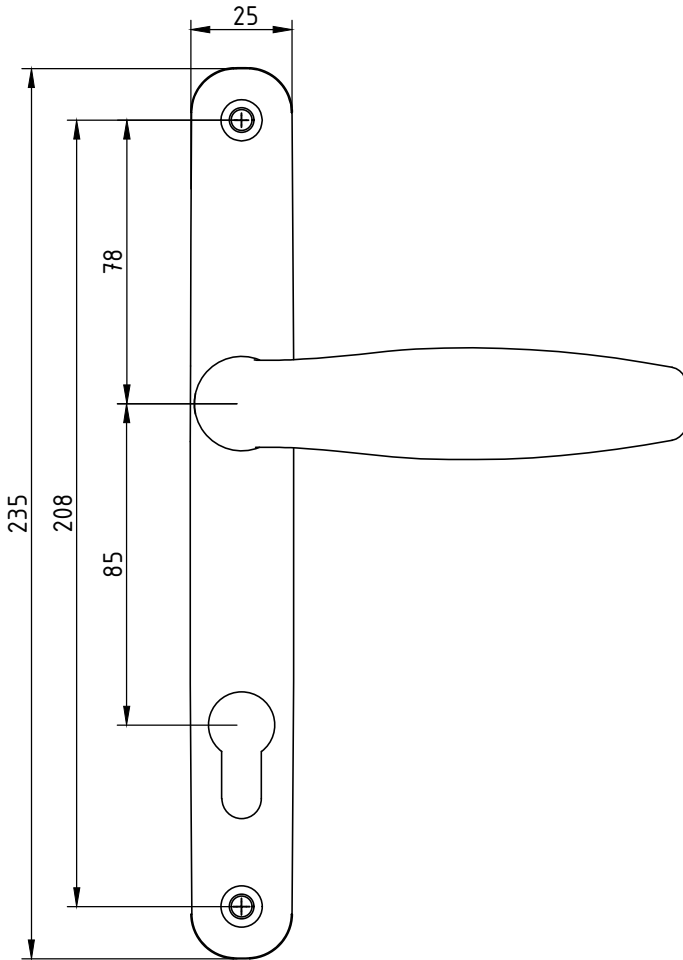
### Дверная фурнитура



Zavrtanj	M5x90	za sve profile	2 kom
Screw		for all profiles	
Болт		для всех профилей	

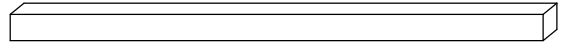
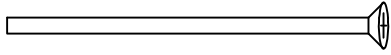


Četvrtka	8x8x145	za sve profile	1 kom
Quadrate		for all profiles	
Стержень стальной		для всех профилей	



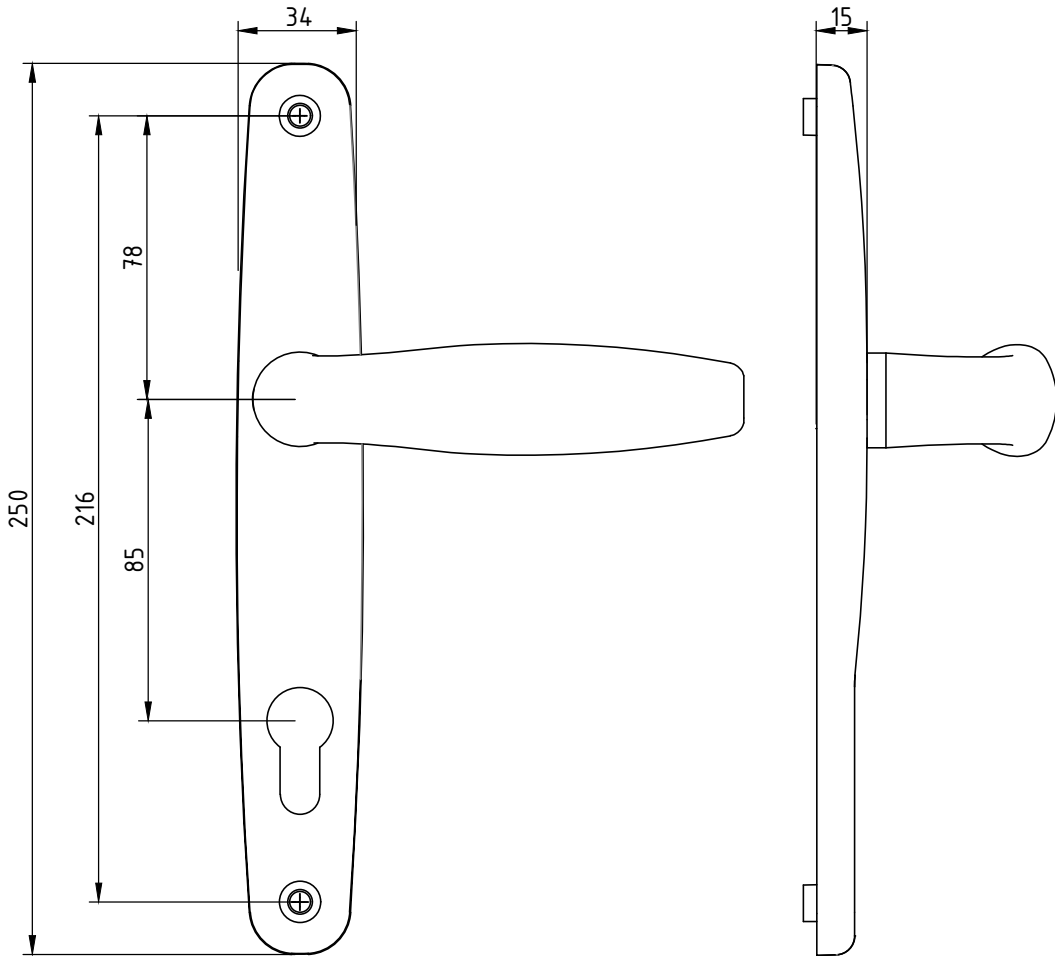
Poz Pos/Поз	Naziv Name/Название	Artikal Code/Код	Voja Color/Цвет			kg	
16.10	Квака за ulazna vrata 25/85 Door handle 25/85 Дверной защелки 25/85	80215-1	Bela, RAL 9016 White, RAL 9016/Белый, РАЛ 9016	2	20/1	0.494	48 kut.
		80215-7	Braon, RAL 8019 Brown, RAL 8019/Браун, РАЛ 8019	2	20/1	0.494	48 kut.
		80215-3	Siva, RAL 9006 Gray, RAL 9006/Серый, РАЛ 9006	2	20/1	0.494	48 kut.
		80215-4	Crna, RAL 9005 Black, RAL 9005/Черный, РАЛ 9005	2	20/1	0.494	48 kut.

Okov za vrata  
 Door fittings  
 Дверная фурнитура



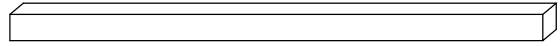
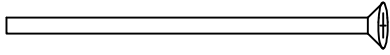
Zavrtanj	M5x90	za sve profile	2 kom
Screw		for all profiles	
Болт		для всех профилей	

Četvrtka	8x8x145	za sve profile	1 kom
Quadrate		for all profiles	
Стержень стальной		для всех профилей	



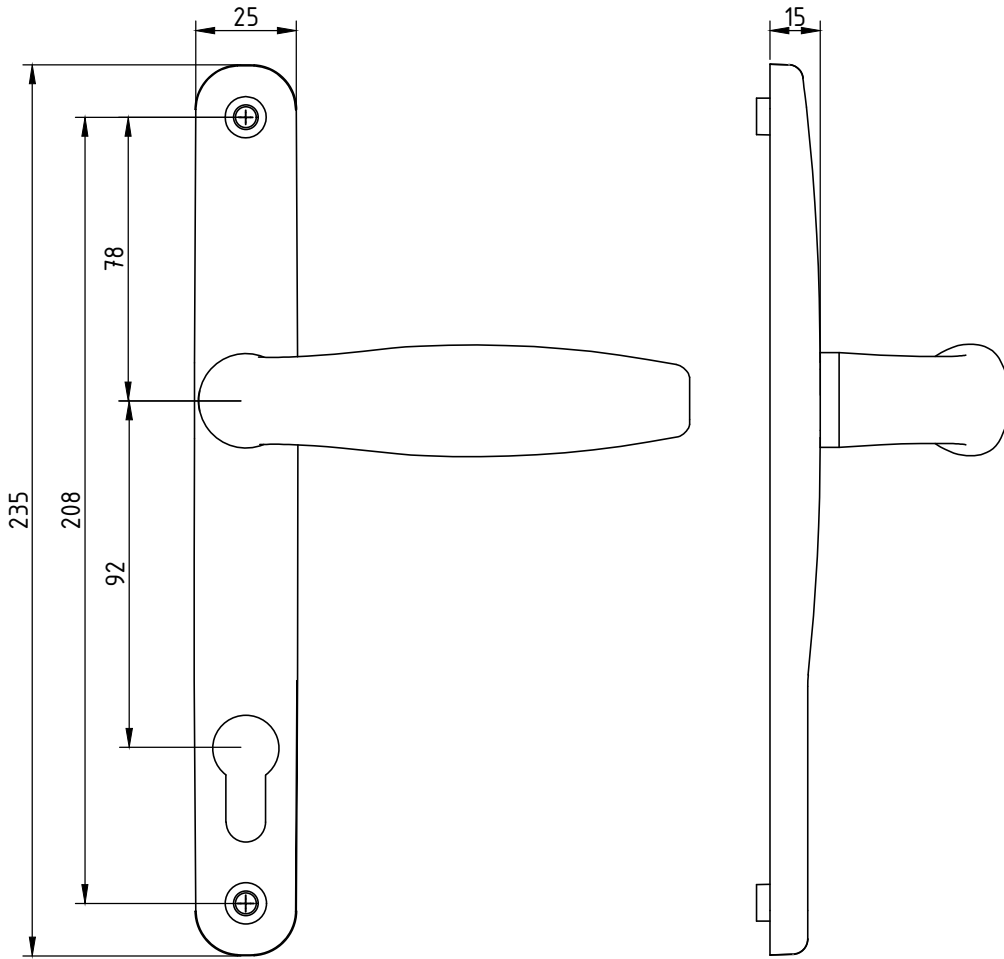
Poz Pos/Поз	Naziv Name/Название	Artikal Code/Код	Voja Color/Цвет			kg	
16.11	Квака за ulazna vrata 34/85 Door handle 34/85 Дверной защелки 34/85	80220-1	Bela, RAL 9016 White, RAL 9016/Белый, РАЛ 9016	2	15/1	0.640	48 kut.
		80220-7	Braon, RAL 8019 Brown, RAL 8019/Браун, РАЛ 8019	2	15/1	0.640	48 kut.
		80220-3	Siva, RAL 9006 Gray, RAL 9006/Серый, РАЛ 9006	2	15/1	0.640	48 kut.
		80220-4	Crna, RAL 9005 Black, RAL 9005/Черный, РАЛ 9005	2	15/1	0.640	48 kut.

Okov za vrata  
 Door fittings  
 Дверная фурнитура



Zavrtanj	M5x90	za sve profile	2 kom
Screw		for all profiles	
Болт		для всех профилей	

Četvrtka	8x8x145	za sve profile	1 kom
Quadrate		for all profiles	
Стержень стальной		для всех профилей	

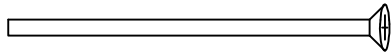


Poz Pos/Поз	Naziv Name/Название	Artikal Code/Код	Voja Color/Цвет			kg	
16.12	Квака за ulazna vrata 25/92 Door handle 25/92 Дверной защелки 25/92	80225-1	Bela, RAL 9016 White, RAL 9016/Белый, РAL 9016	2	20/1	0.500	48 kut.
		80225-7	Braon, RAL 8019 Brown, RAL 8019/Браун, РAL 8019	2	20/1	0.500	48 kut.
		80225-3	Siva, RAL 9006 Gray, RAL 9006/Серый, РAL 9006	2	20/1	0.500	48 kut.
		80225-4	Crna, RAL 9005 Black, RAL 9005/Черный, РAL 9005	2	20/1	0.500	48 kut.

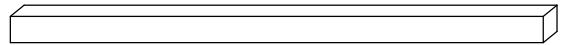
# Okov za vrata

## Door fittings

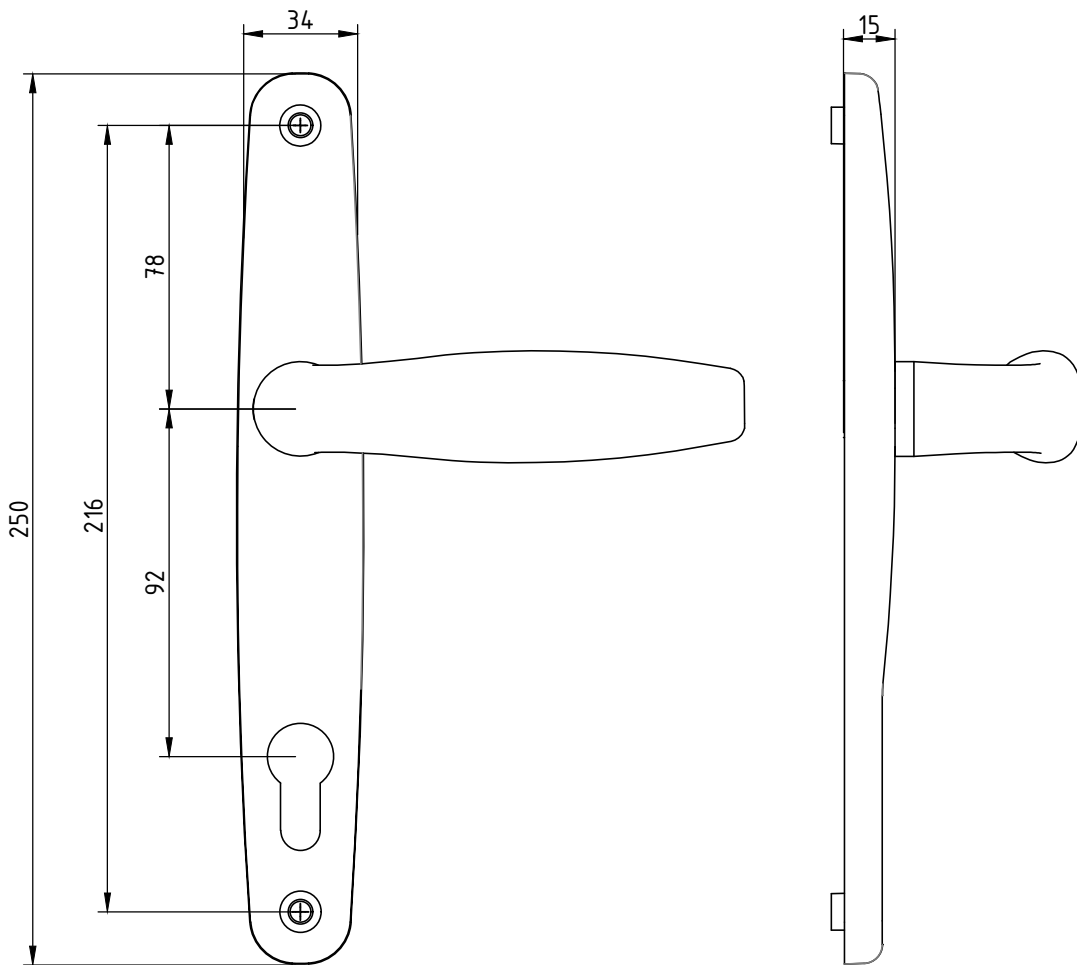
## Дверная фурнитура



Zavrtanj	M5x90	za sve profile	2 kom
Screw		for all profiles	
Болт		для всех профилей	

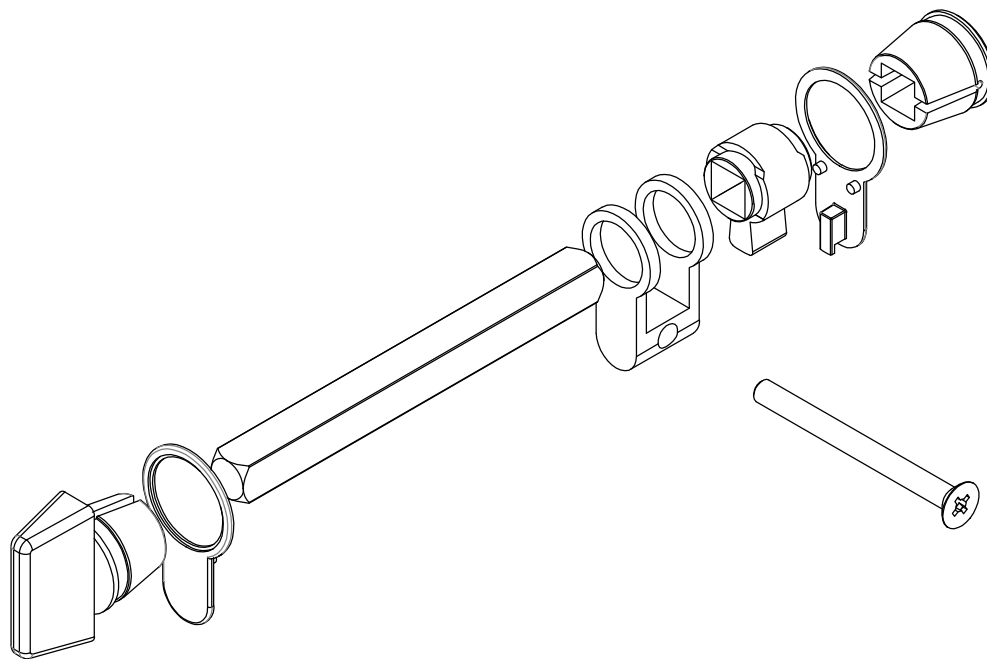






Četvrtka	8x8x145	za sve profile	1 kom
Quadrate		for all profiles	
Стержень стальной		для всех профилей	



Poz Pos/Поз	Naziv Name/Название	Artikal Code/Код	Voja Color/Цвет			kg	
16.13	Квака за ulazna vrata 34/92 Door handle 34/92 Дверной защелки 34/92	80230-1	Bela, RAL 9016 White, RAL 9016/Белый, РАЛ 9016	2	15/1	0.643	48 kut.
		80230-7	Braon, RAL 8019 Brown, RAL 8019/Браун, РАЛ 8019	2	15/1	0.643	48 kut.
		80230-3	Siva, RAL 9006 Gray, RAL 9006/Серый, РАЛ 9006	2	15/1	0.643	48 kut.
		80230-4	Crna, RAL 9005 Black, RAL 9005/Черный, РАЛ 9005	2	15/1	0.643	48 kut.





Poz Pos/Поз	Naziv Name/Название	Artikal Code/Код	Boja Color/Цвет			kg 	
		80505-1	Bela, RAL 9016 White, RAL 9016/Белый, РАЛ 9016	1	100/1	0.093	48 kut.
		80505-7	Braon, RAL 8019 Brown, RAL 8019/Браун, РАЛ 8019	1	100/1	0.093	48 kut.
		80505-3	Siva, RAL 9006 Gray, RAL 9006/Серый, РАЛ 9006	1	100/1	0.093	48 kut.
		80505-4	Crna, RAL 9005 Black, RAL 9005/Черный, РАЛ 9005	1	100/1	0.093	48 kut.
	Квака za ulazna vrata 34/92 Door handle 34/92 Дверной защелки 34/92						



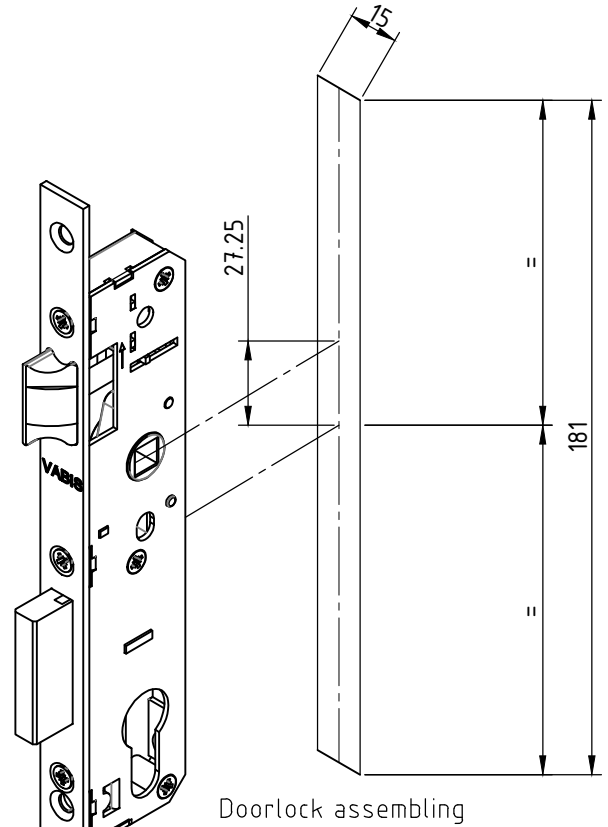
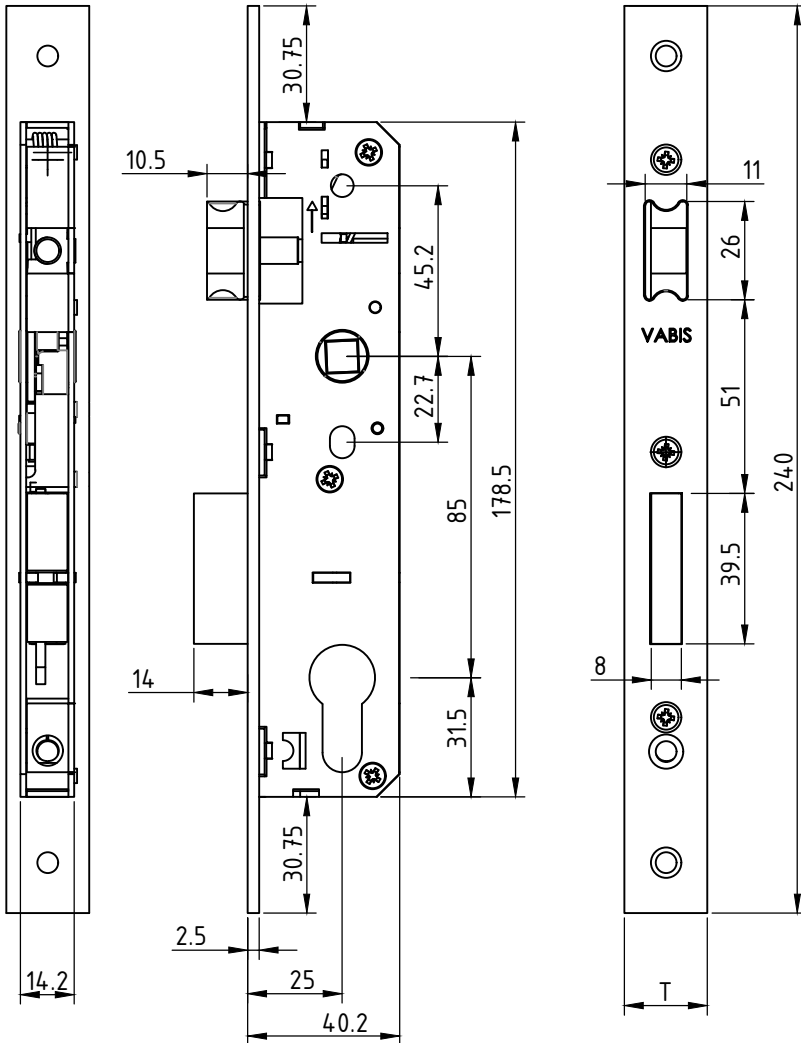
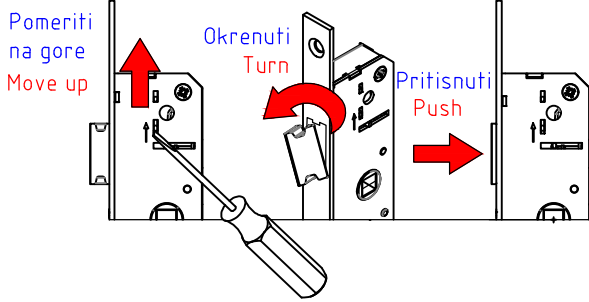
*Okov za vrata od aluminijumskih  
profila*

*Door fittings for  
aluminum profiles*

*Дверная фурнитура для  
алюминиевых профилей*



Način okretanja jezička brave  
za desna i leva vrata  
Doorlock setup - orientation  
change for right and left doors



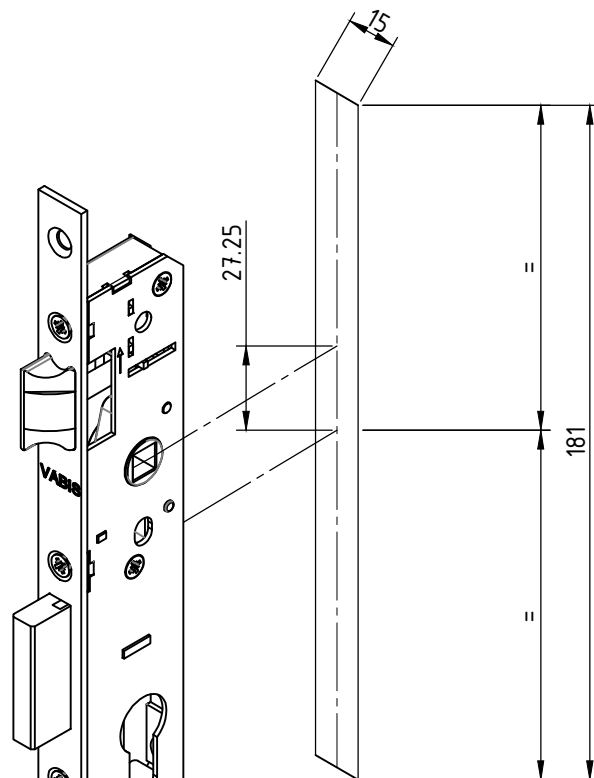
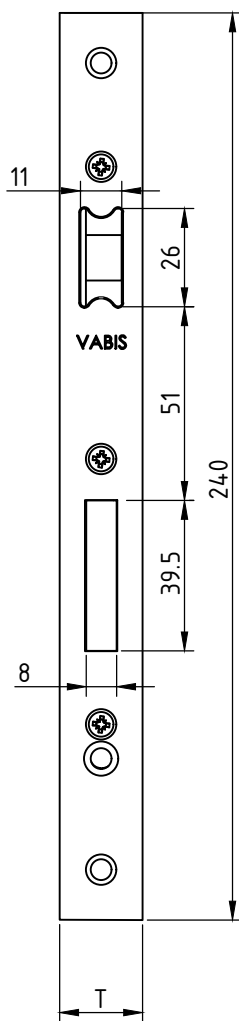
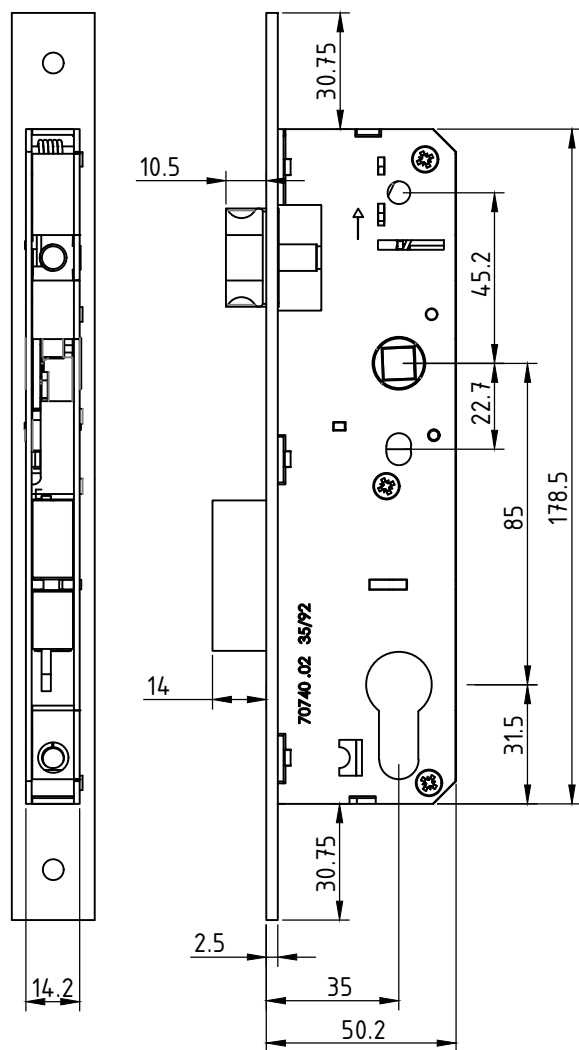
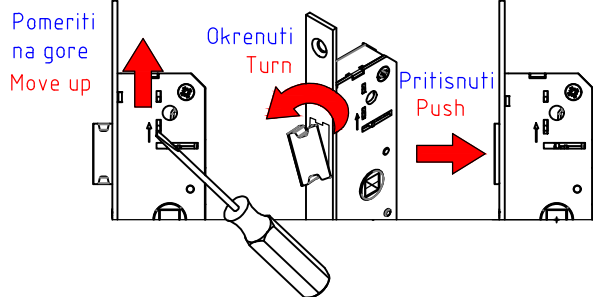
Brava za AL vrata 25/85  
Četvrtka 8x8  
Pocinkovano i prohromsko celo  
otporno na koroziju  
Svaka brava upakovana u  
specijalno dizajnirane kutije  
Door lock AL 25/85 mm  
8x8 mm square  
Zink plated and Inox forehead  
corrosion resistance  
Every single door lock packed  
into a special design carton box

- Standardna varijanta
- Standard variant
- Minimalna količina za narucivanje  
300 kom
- Minimum quantity for order  
300 pcs

Naziv Name/Название	T (mm)	L (mm)	Artikal Code/Код				kg	
Brava za metalna vrata - 25/85/22 mm INOX Čelo Door lock 25/85/22 mm - INOX forehead Дверные замки 25/85/22 mm	22	240	70650	2	/	40/1	0.389	48 kut.
Brava za metalna vrata - 25/85/22 mm Pocinkovano čelo Door lock 25/85/22 mm - Zn plated forehead Дверные замки 25/85/22 mm	22	240	70655	2	/	40/1	0.394	48 kut.
Brava za metalna vrata - 25/85/24 mm INOX Čelo Door lock 25/85/24 mm - INOX forehead Дверные замки 25/85/24 mm	24	240	70656	2	/	40/1	0.403	48 kut.



Način okretanja jezička brave  
za desna i leva vrata  
Doorlock setup - orientation  
change for right and left doors



Doorlock assembling

Brava za AL vrata 35/85  
Četvrtka 8x8  
Pocinkovano i prohromsko celo  
otporno na koroziju  
Svaka brava upakovana u  
specijalno dizajnirane kutije

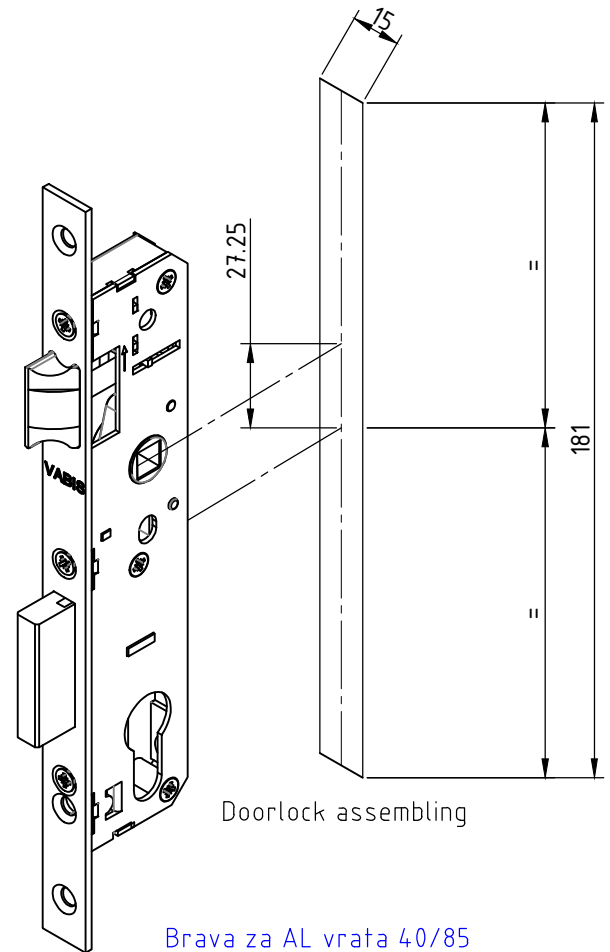
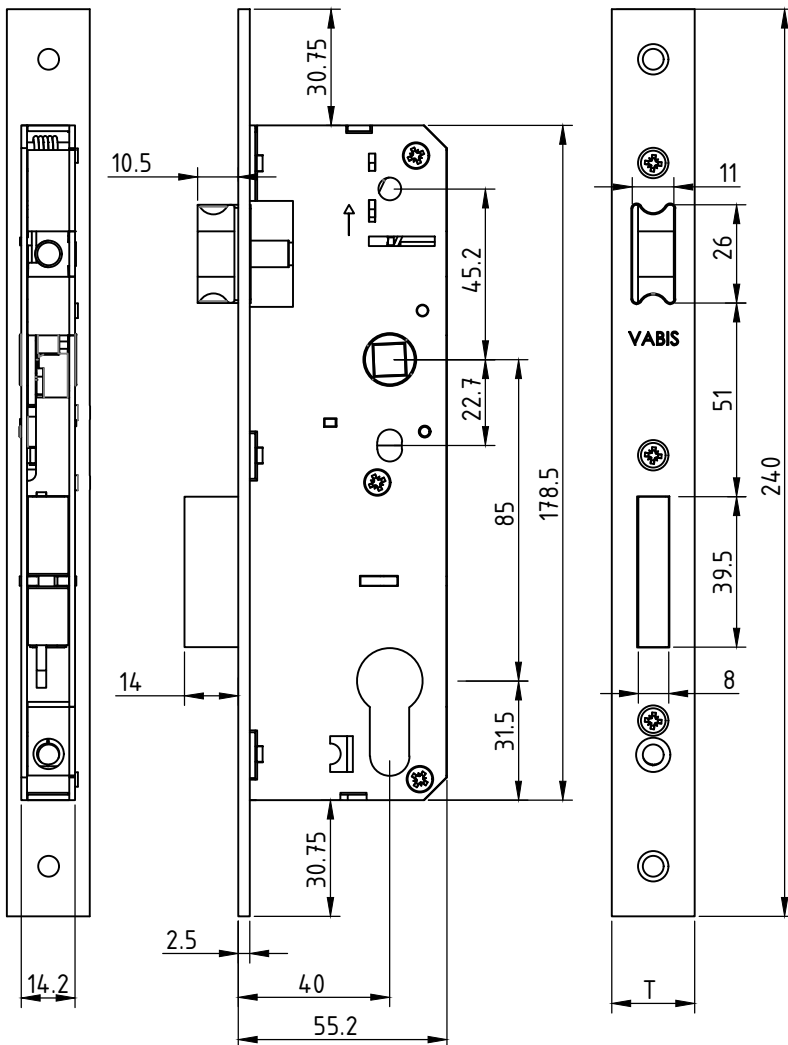
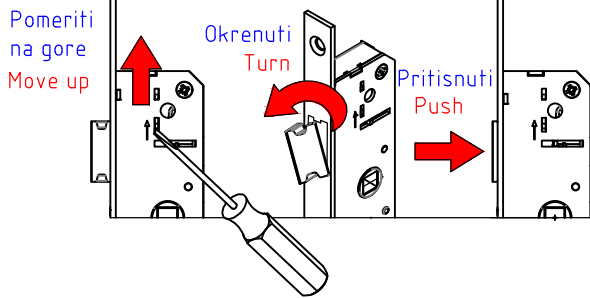
Door lock AL 35/85 mm  
8x8 mm square  
Zink plated and Inox forehead  
corrosion resistance  
Every single door lock packed  
into a special design carton box

- Standardna varijanta
- Standard variant
- Minimalna količina za narucivanje  
300 kom
- Minimum quantity for order  
300 pcs

Naziv Name/Название	T (mm)	L (mm)	Artikal Code/Код						
Brava za metalna vrata - 35/85/22 mm INOX Čelo Door lock 35/85/22 mm - INOX forehead Дверные замки 35/85/22 mm	<input type="radio"/>	22	240	70600	2	/	40/1	0.457	48 kut.
Brava za metalna vrata - 35/85/22 mm Pocinkovano čelo Door lock 35/85/22 mm - Zn plated forehead Дверные замки 35/85/22 mm	<input type="radio"/>	22	240	70610	2	/	40/1	0.462	48 kut.
Brava za metalna vrata - 35/85/24 mm INOX Čelo Door lock 35/85/24 mm - INOX forehead Дверные замки 35/85/24 mm	<input checked="" type="checkbox"/>	24	240	70612	2	/	40/1	0.471	48 kut.



Način okretanja jezička brave  
za desna i leva vrata  
Doorlock setup - orientation  
change for right and left doors



Doorlock assembling

Brava za AL vrata 40/85  
Četvrtka 8x8  
Pocinkovano i prohromsko celo  
otporno na koroziju  
Svaka brava upakovana u  
specijalno dizajnirane kutije  
Door lock AL 40/85 mm  
8x8 mm square  
Zink plated and Inox forehead  
corrosion resistance  
Every single door lock packed  
into a special design carton box

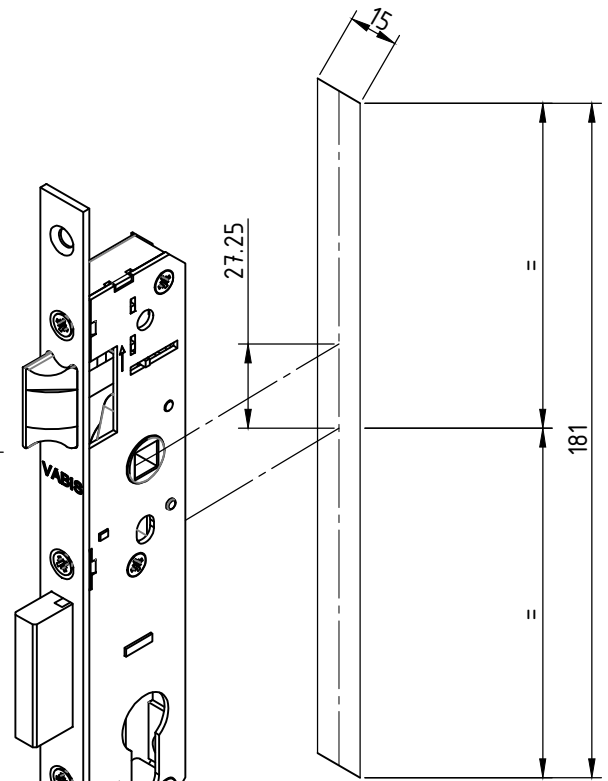
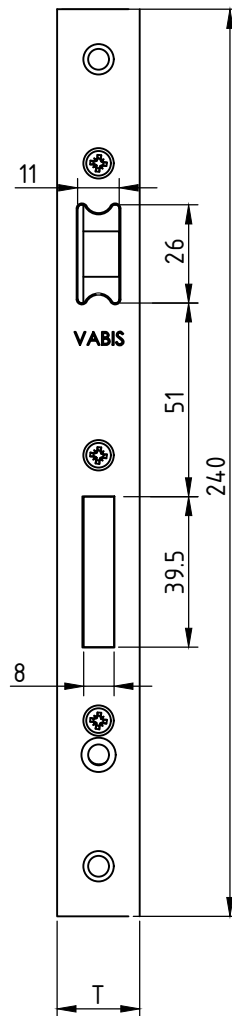
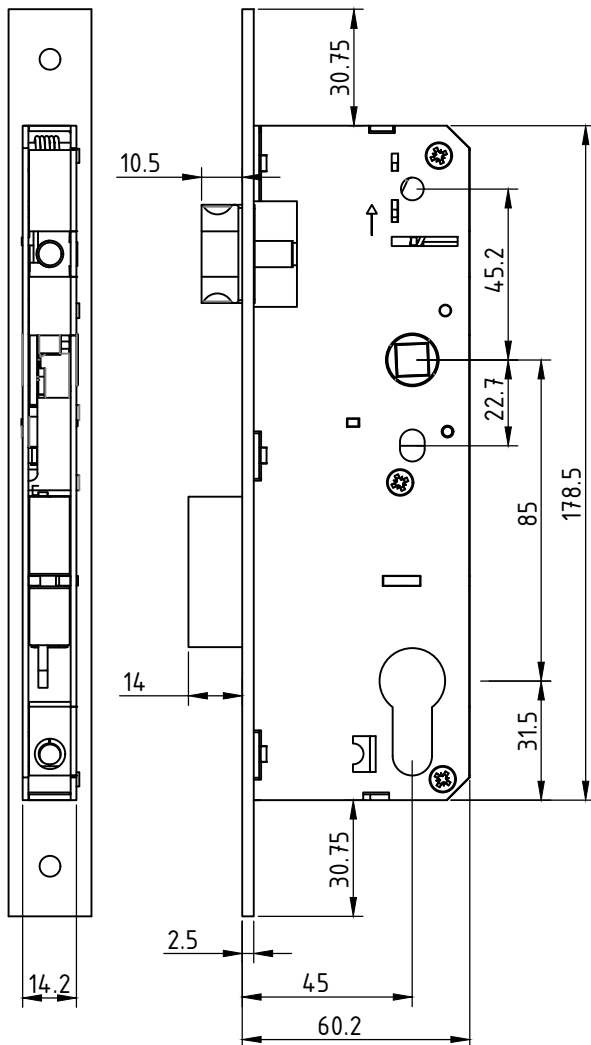
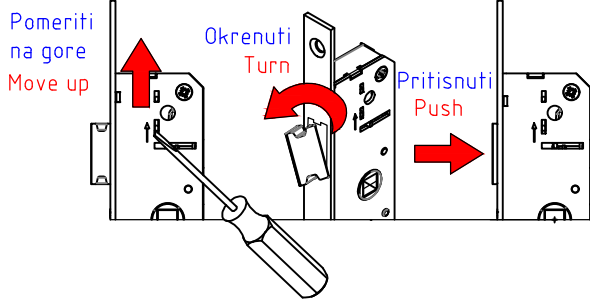
Minimalna količina za narucivanje  
300 kom

Minimum quantity for order  
300 pcs

Naziv Name/Название	T (mm)	L (mm)	Artikal Code/Код					
Brava za metalna vrata -40/85/22 mm INOX Čelo Door lock 40/85/22 mm - INOX forehead Дверные замки 40/85/22 mm	22	240	70670	2	/	40/1	0.492	48 kut.
Brava za metalna vrata - 40/85/22 mm Pocinkovano čelo Door lock 40/85/22 mm - Zn plated forehead Дверные замки 40/85/22 mm	22	240	70675	2	/	40/1	0.497	48 kut.
Brava za metalna vrata -40/85/24 mm INOX Čelo Door lock 40/85/24 mm - INOX forehead Дверные замки 40/85/24 mm	24	240	70676	2	/	40/1	0.506	48 kut.



Način okretanja jezička brave  
za desna i leva vrata  
Doorlock setup - orientation  
change for right and left doors



Doorlock assembling

Brava za AL vrata 45/85  
Četvrtka 8x8  
Pocinkovano i prohromsko celo  
otporno na koroziju  
Svaka brava upakovana u  
specijalno dizajnirane kutije

Door lock AL 45/85 mm  
8x8 mm square  
Zink plated and Inox forehead  
corrosion resistance  
Every single door lock packed  
into a special design carton box

Minimalna količina za narucivanje  
300 kom

Minimum quantity for order  
300 pcs

Naziv Name/Название	T (mm)	L (mm)	Artikal Code/Код					
Brava za metalna vrata -45/85/22 mm INOX Čelo Door lock 45/85/22 mm - INOX forehead Дверные замки 45/85/22 мм	22	240	70685	2	/	40/1	0.526	48 kut.
Brava za metalna vrata - 45/85/22 mm Pocinkovano čelo Door lock 45/85/22 mm - Zn plated forehead Дверные замки 45/85/22 мм	22	240	70690	2	/	40/1	0.531	48 kut.
Brava za metalna vrata -45/85/24 mm INOX Čelo Door lock 45/85/24 mm - INOX forehead Дверные замки 45/85/24 мм	24	240	70692	2	/	40/1	0.540	48 kut.



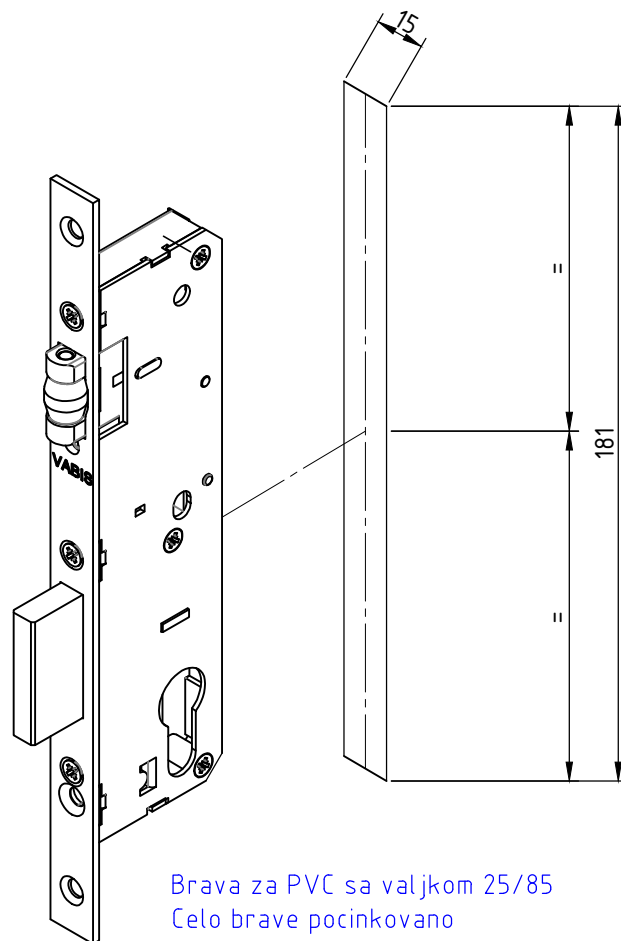
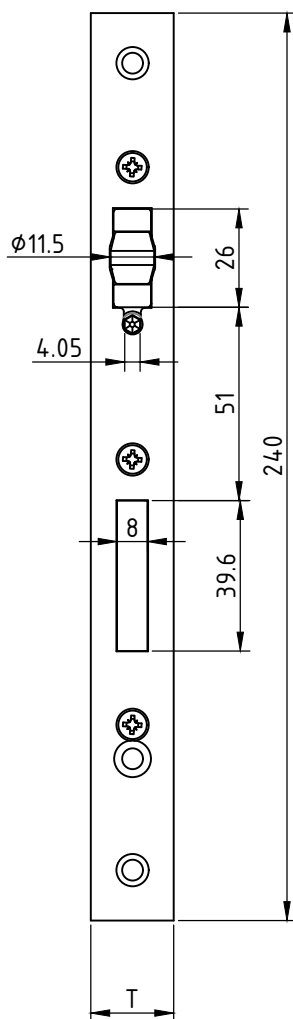
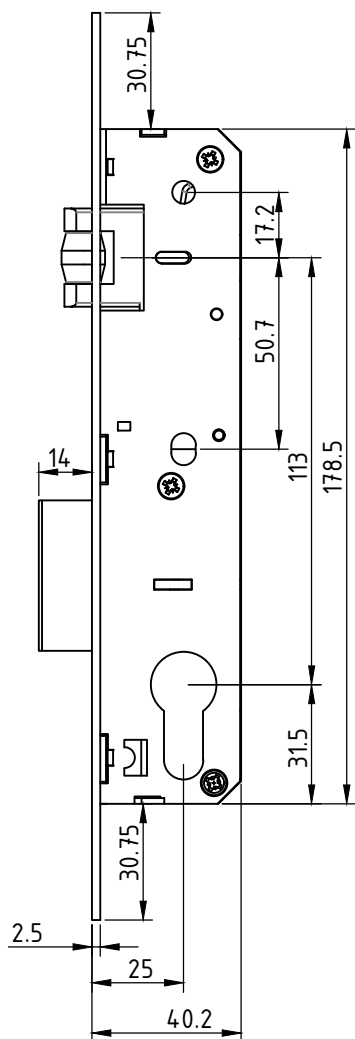
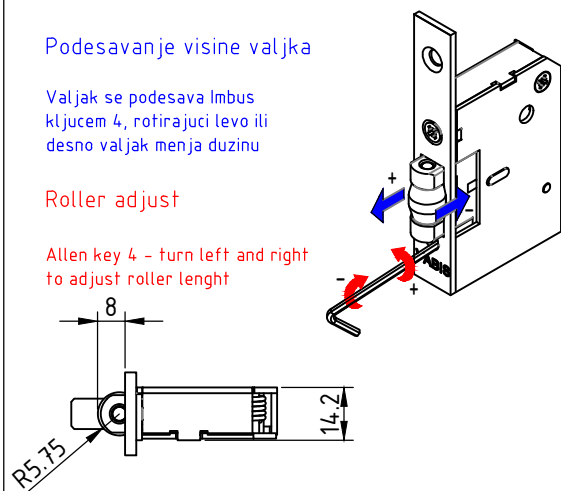


Podesavanje visine valjka

Valjak se podesava Imbus ključem 4, rotirajući levo ili desno valjak menja dužinu

Roller adjust

Allen key 4 - turn left and right to adjust roller length



Brava za PVC sa valjkom 25/85  
Celo brave pocinkovano  
zasticeno od korozije  
Svaka brava pakovana u  
specijalno dizajnirane kutije  
Valjak sa mehanizmom za  
podesavanje

Door lock for PVC with roller  
25/85  
Zink plated forehead corrosion  
resistance  
Every single door lock packed  
into a special design carton box  
Roller adjusted mechanism

Minimalna količina za narucivanje  
300 kom

Minimum quantity for order  
300 pcs

Naziv Name/Название	T (mm)	L (mm)	Artikal Code/Код				kg	
Brava za metalna vrata -25/85/22 mm INOX Čelo / Valjak Door lock 25/85/22 mm - INOX forehead / Roller Дверные замки 25/85/22 mm	22	240	70657	2	/	40/1	0.391	48 kut.
Brava za metalna vrata - 25/85/22 mm Pocinkovano čelo / Valjak Door lock 25/85/22 mm - Zn plated forehead / Roller Дверные замки 25/85/22 mm	22	240	70658	2	/	40/1	0.396	48 kut.
Brava za metalna vrata -25/85/24 mm INOX Čelo Door lock 25/85/24 mm - INOX forehead Дверные замки 25/85/24 mm	24	240	70659	2	/	40/1	0.405	48 kut.

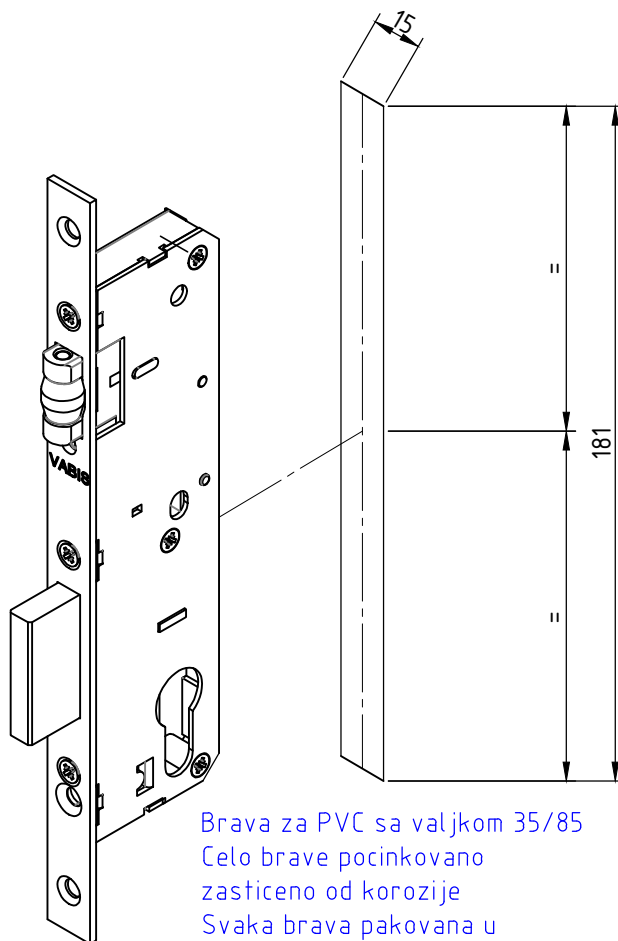
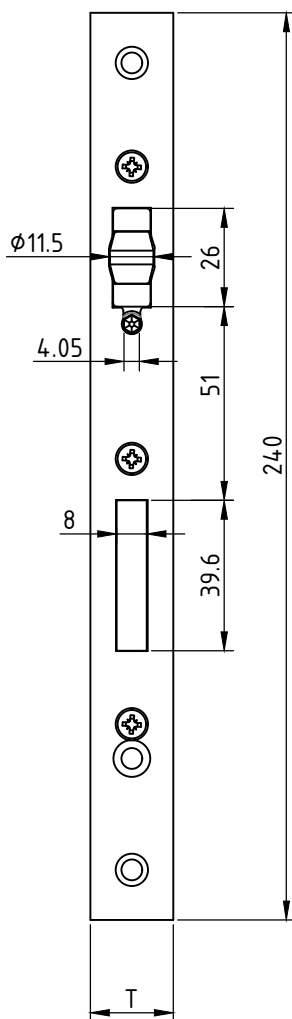
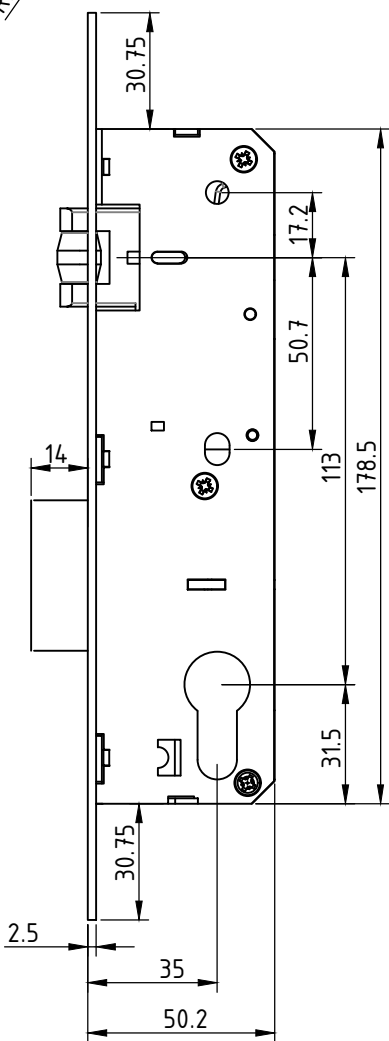
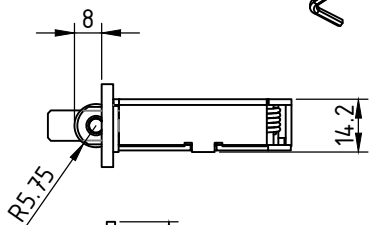
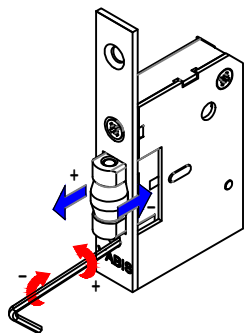


Podesavanje visine valjka

Valjak se podesava Imbus ključem 4, rotirajući levo ili desno valjak menja dužinu

Roller adjust

Allen key 4 - turn left and right to adjust roller length



Brava za PVC sa valjkom 35/85  
Celo brave pocinkovano  
zasticeno od korozije  
Svaka brava pakovana u  
specijalno dizajnirane kutije  
Valjak sa mehanizmom za  
podesavanje

Door lock for PVC with roller  
35/85  
Zink plated forehead corrosion  
resistance  
Every single door lock packed  
into a special design carton box  
Roller adjusted mechanism

- Standardna varijanta
- Standard variant
- Minimalna kolicina za narucivanje  
300 kom
- Minimum quantity for order  
300 pcs

Naziv Name/Название	T (mm)	L (mm)	Artikal Code/Код				kg	
Brava za metalna vrata -35/85/22 mm INOX Čelo / Valjak Door lock 35/85/22 mm - INOX forehead / Roller Дверные замки 35/85/22 mm	22	240	70630	2	/	40/1	0.462	48 kut.
Brava za metalna vrata - 35/85/22 mm Pocinkovano čelo / Valjak Door lock 35/85/22 mm - Zn plated forehead / Roller Дверные замки 35/85/22 mm	22	240	70635	2	/	40/1	0.467	48 kut.
Brava za metalna vrata -35/85/24 mm INOX Čelo / Valjak Door lock 35/85/24 mm - INOX forehead / Roller Дверные замки 35/85/24 mm	24	240	70639	2	/	40/1	0.476	48 kut.

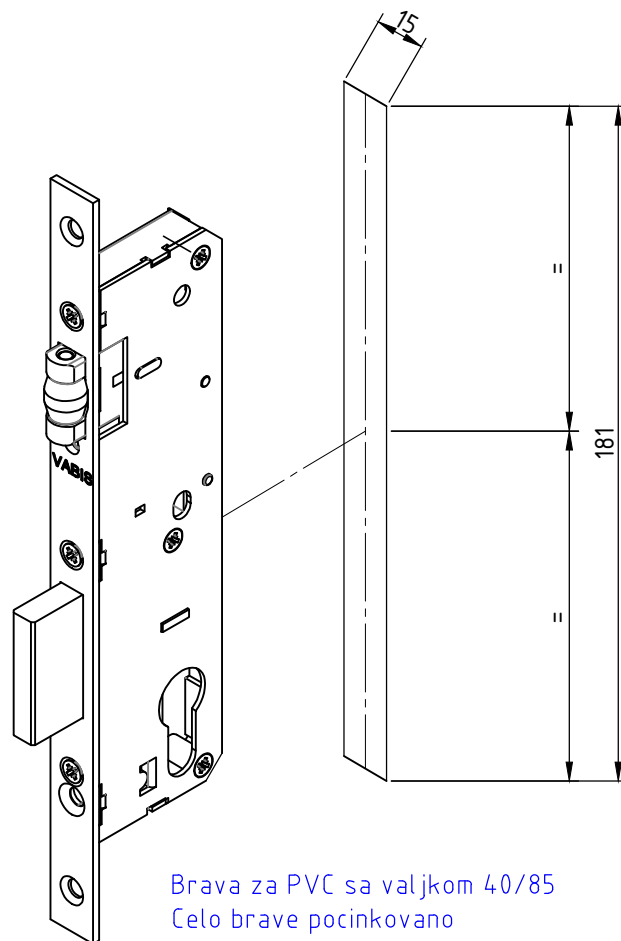
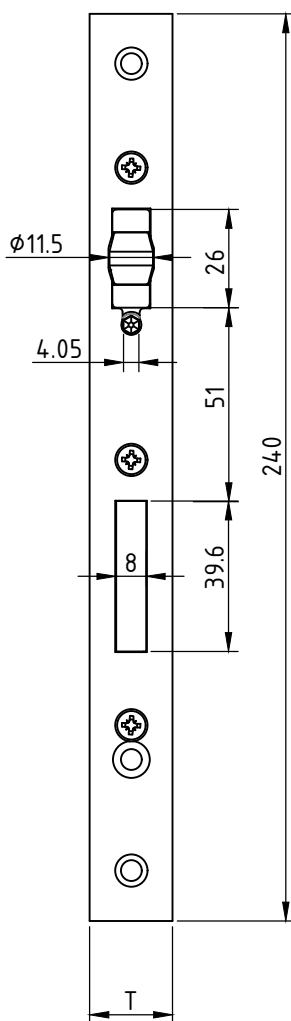
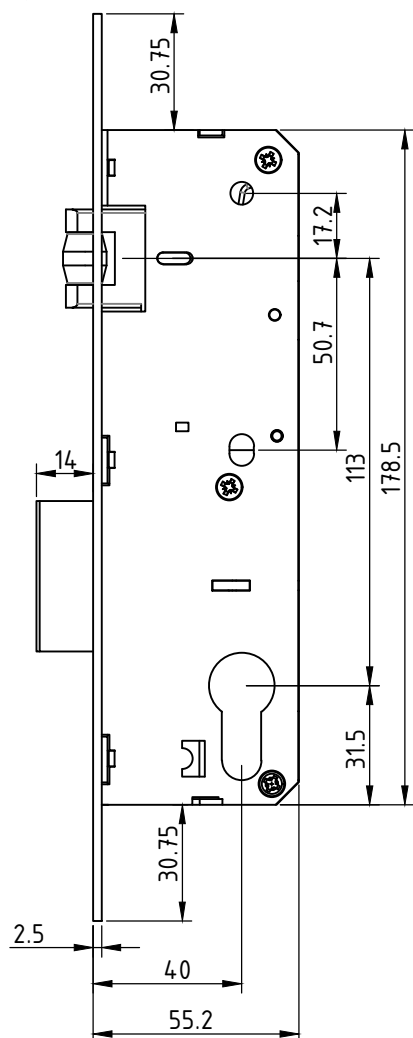
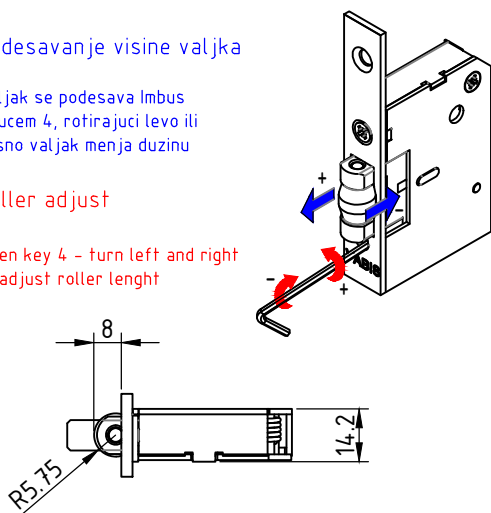


## Podesavanje visine valjka

Valjak se podesava Imbus ključem 4, rotirajući levo ili desno valjak menja dužinu

## Roller adjust

Allen key 4 - turn left and right to adjust roller length



Brava za PVC sa valjkom 40/85  
Čelo brave pocinkovano  
zasticeno od korozije  
Svaka brava pakovana u  
specijalno dizajnirane kutije  
Valjak sa mehanizmom za  
podesavanje

Door lock for PVC with roller  
40/85

Zink plated forehead corrosion  
resistance

Every single door lock packed  
into a special design carton box  
Roller adjusted mechanism

Minimalna kolicina za narucivanje  
300 kom

Minimum quantity for order  
300 pcs

Naziv Name/Название	T (mm)	L (mm)	Artikal Code/Код				kg	
Brava za metalna vrata -40/85/22 mm INOX Čelo / Valjak Door lock 40/85/22 mm - INOX forehead / Roller Дверные замки 40/85/22 mm	22	240	70677	2	/	40/1	0.503	48 kut.
Brava za metalna vrata - 40/85/22 mm Pocinkovano čelo / Valjak Door lock 40/85/22 mm - Zn plated forehead / Roller Дверные замки 40/85/22 mm	22	240	70678	2	/	40/1	0.508	48 kut.
Brava za metalna vrata -40/85/24 mm INOX Čelo / Valjak Door lock 40/85/24 mm - INOX forehead / Roller Дверные замки 40/85/24 mm	24	240	70679	2	/	40/1	0.517	48 kut.

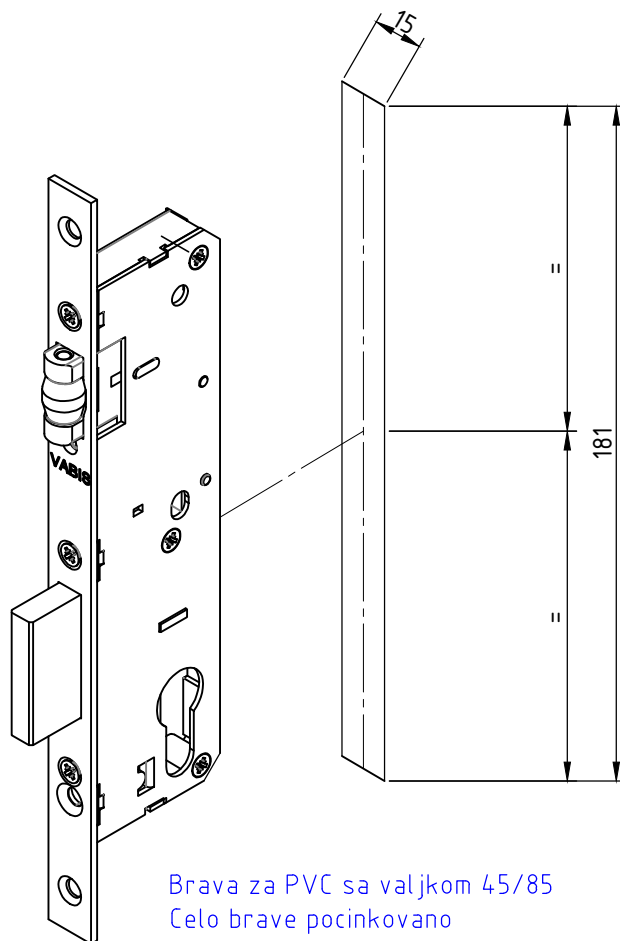
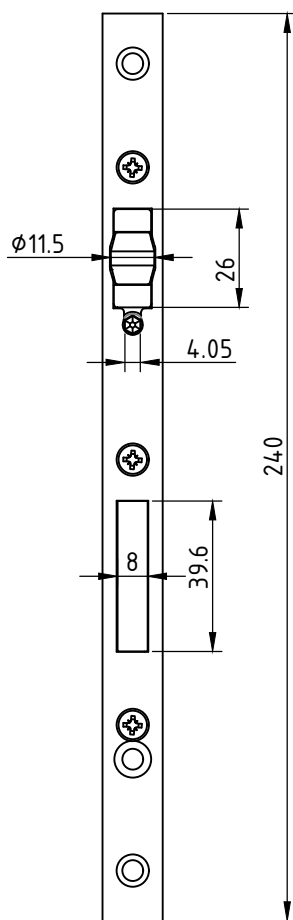
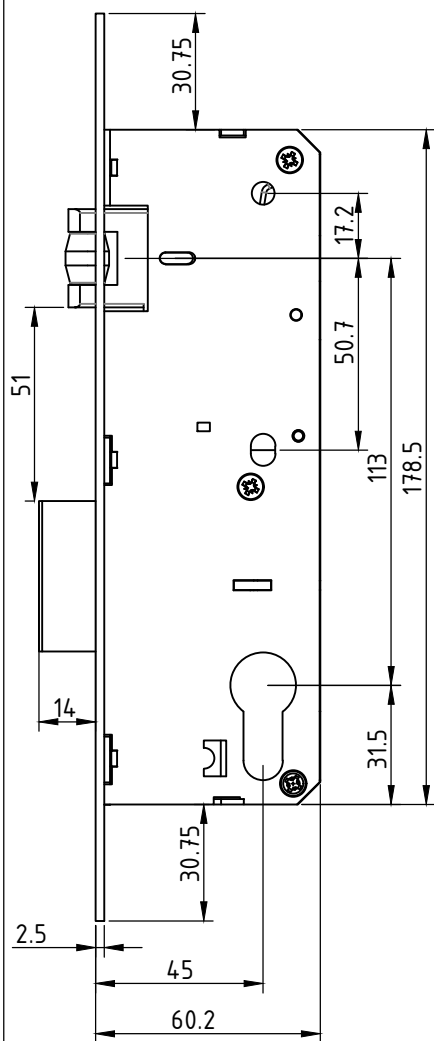
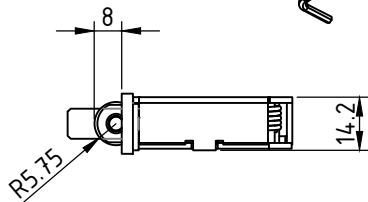
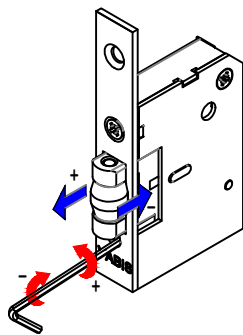


## Podesavanje visine valjka

Valjak se podesava Imbus ključem 4, rotirajući levo ili desno valjak menja dužinu

## Roller adjust

Allen key 4 - turn left and right to adjust roller length



Brava za PVC sa valjkom 45/85  
Čelo brave pocinkovano  
zasticeno od korozije  
Svaka brava pakovana u  
specijalno dizajnirane kutije  
Valjak sa mehanizmom za  
podesavanje

Door lock for PVC with roller  
45/85 mm  
Zink plated forehead corrosion  
resistance  
Every single door lock packed  
into a special design carton box  
Roller adjusted mechanism

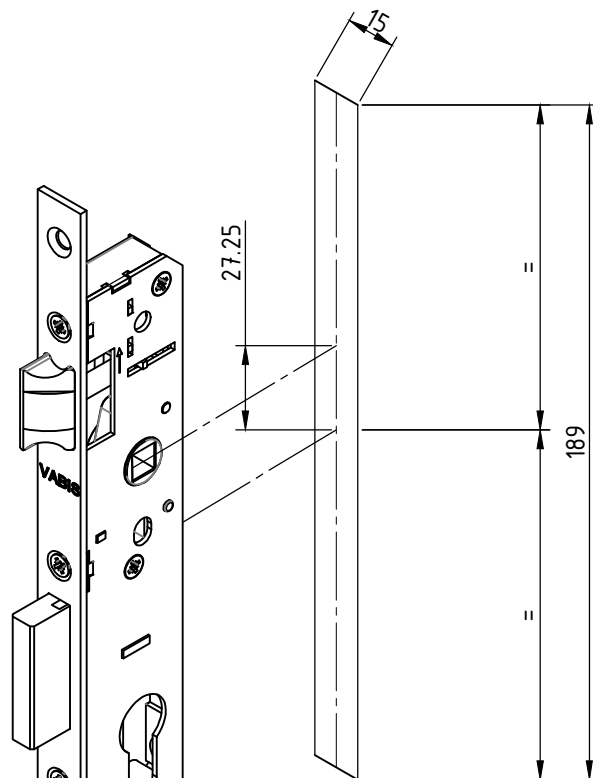
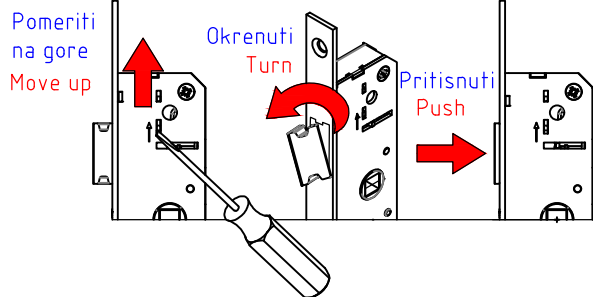
~~Minimalna količina za narucivanje~~  
300 kom

~~Minimum quantity for order~~  
300 pcs

Naziv Name/Название	T (mm)	L (mm)	Artikal Code/Код				kg	
Brava za metalna vrata - 45/85/22 mm INOX Čelo / Valjak Door lock 45/85/22 mm - INOX forehead / Roller Дверные замки 45/85/22 mm	22	240	70697	2	/	40/1	0.540	48 kut.
Brava za metalna vrata - 45/85/22 mm Pocinkovano čelo / Valjak Door lock 45/85/22 mm - Zn plated forehead / Roller Дверные замки 45/85/22 mm	22	240	70698	2	/	40/1	0.545	48 kut.
Brava za metalna vrata - 45/85/24 mm INOX Čelo / Valjak Door lock 45/85/24 mm - INOX forehead / Roller Дверные замки 45/85/24 mm	24	240	70699	2	/	40/1	0.554	48 kut.



Način okretanja jezička brave  
za desna i leva vrata  
Doorlock setup - orientation  
change for right and left doors



Doorlock assembling

Brava za AL vrata 25/92

Četvrtka 8x8

Pocinkovano i prohromsko celo  
otporno na koroziju

Svaka brava upakovana u  
specijalno dizajnirane kutije

Door lock AL 25/92 mm

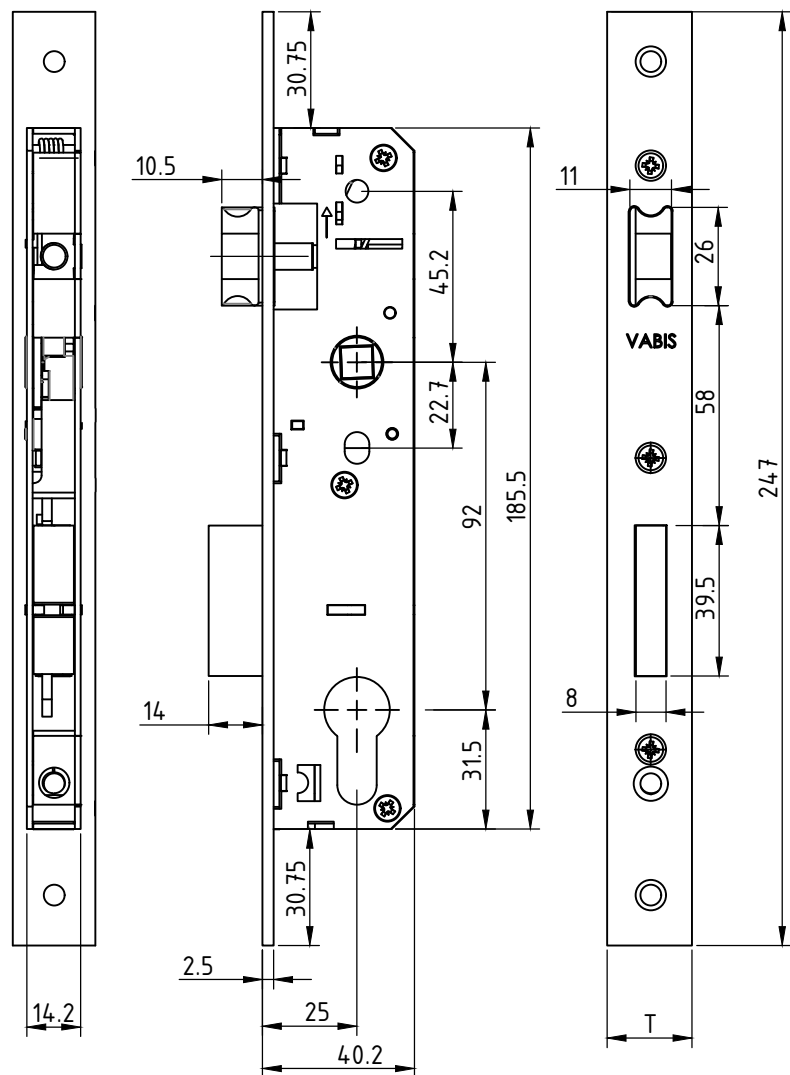
8x8 mm square

Zink plated and Inox forehead  
corrosion resistance

Every single door lock packed  
into a special design carton box

Standardna varijanta

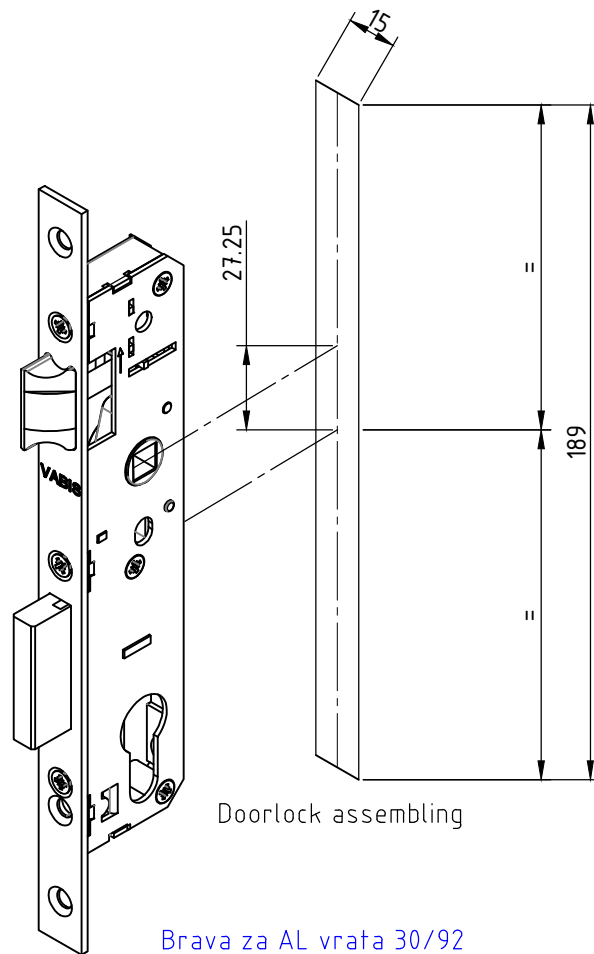
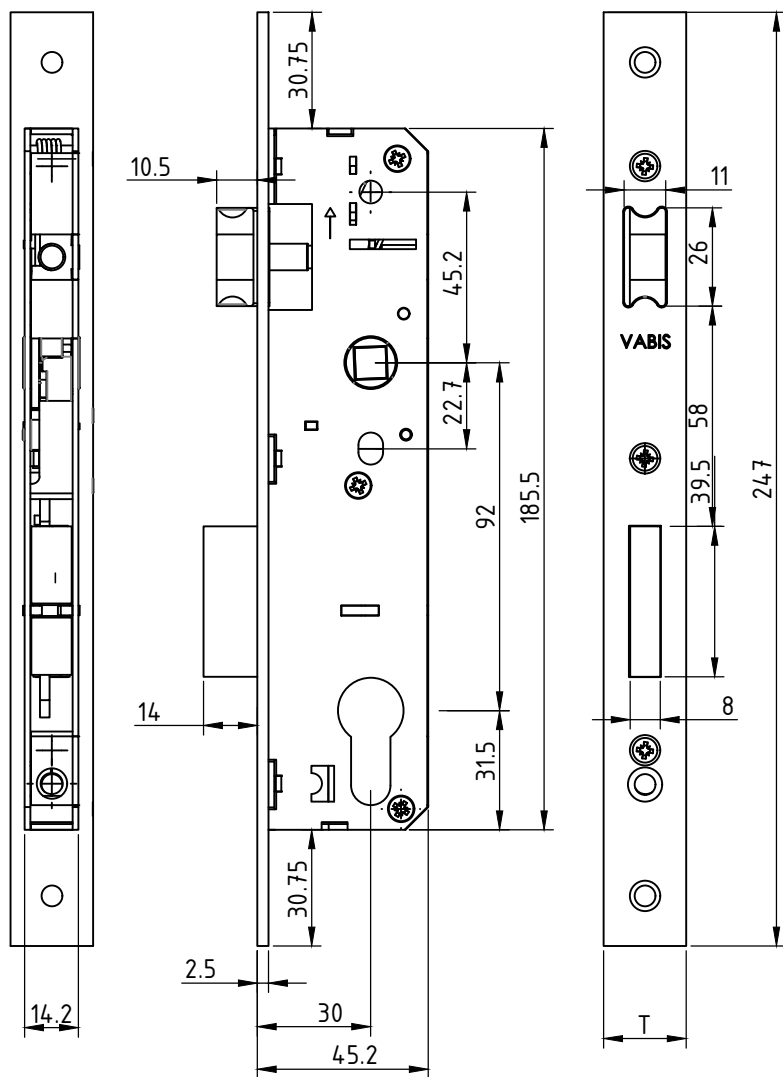
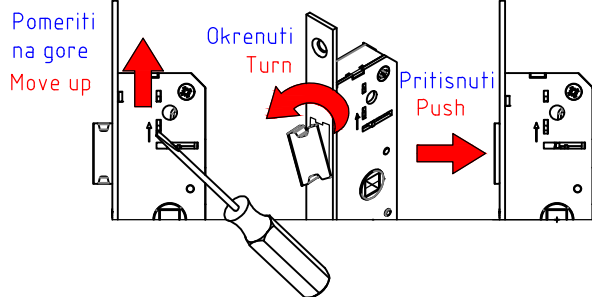
Standard variant



Naziv Name/Название	T (mm)	L (mm)	Artikal Code/Код				kg	
Brava za metalna vrata - 25/92/22 mm INOX Čelo Door lock 25/92/22 mm - INOX forehead Дверные замки 25/92/22 mm	22	240	70710	2	/	40/1	0.397	48 kut.
Brava za metalna vrata - 25/92/22 mm Pocinkovano čelo Door lock 25/92/22 mm - Zn plated forehead Дверные замки 25/92/22 mm	22	240	70712	2	/	40/1	0.402	48 kut.
Brava za metalna vrata - 25/92/24 mm INOX Čelo Door lock 25/92/24 mm - INOX forehead Дверные замки 25/92/24 mm	24	240	70715	2	/	40/1	0.411	48 kut.



Način okretanja jezička brave  
za desna i leva vrata  
Doorlock setup - orientation  
change for right and left doors



Doorlock assembling

Brava za AL vrata 30/92  
Četvrtka 8x8  
Pocinkovano i prohromsko celo  
otporo na koroziju  
Svaka brava upakovana u  
specijalno dizajnirane kutije  
Door lock AL 30/92 mm  
8x8 mm square  
Zink plated and Inox forehead  
corrosion resistance  
Every single door lock packed  
into a special design carton box

Minimalna količina za narucivanje  
300 kom

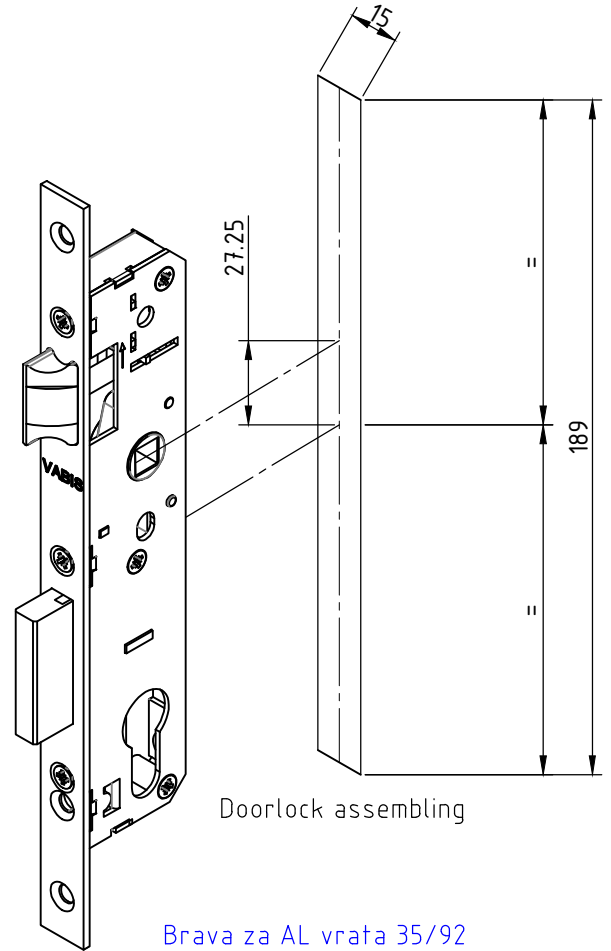
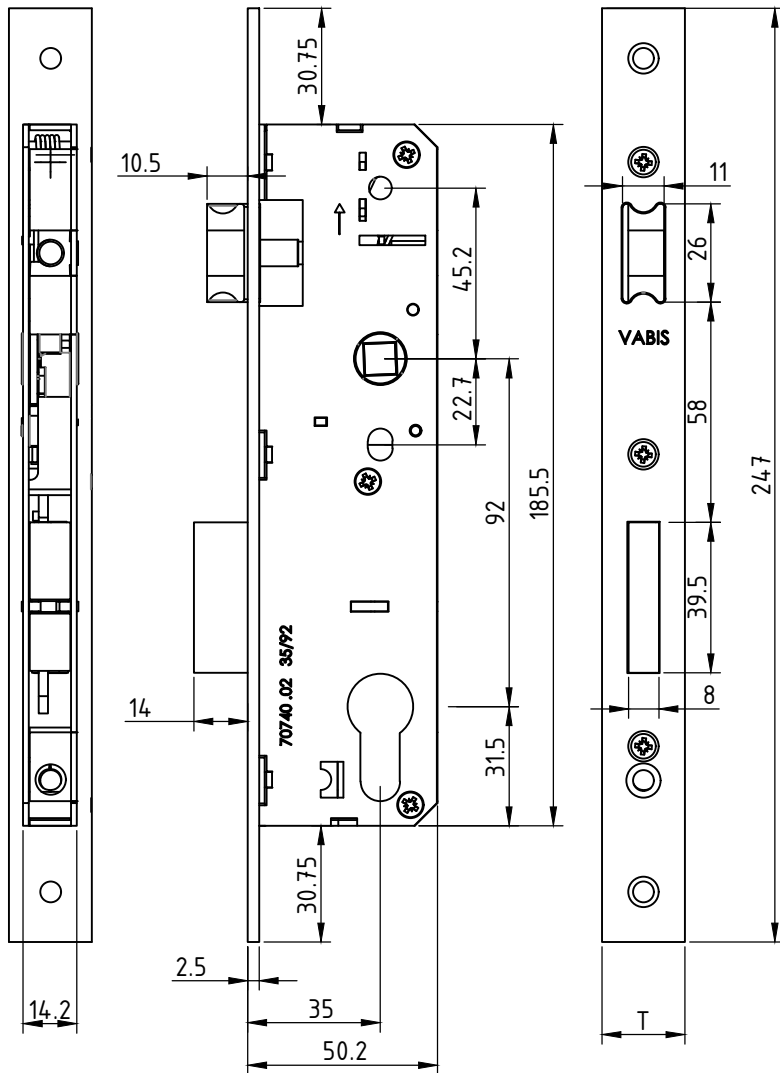
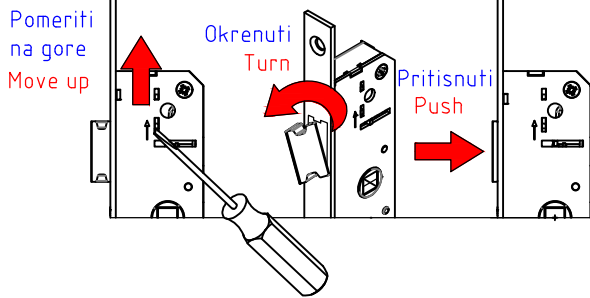
Minimum quantity for order  
300 pcs

Naziv Name/Название	T (mm)	L (mm)	Artikal Code/Код				kg	
Brava za metalna vrata - 30/92/22 mm INOX Čelo Door lock 30/92/22 mm - INOX forehead Дверные замки 30/92/22 mm	22	240	70730	2	/	40/1	0.435	48 kut.
Brava za metalna vrata - 30/92/22 mm Pocinkovano čelo Door lock 30/92/22 mm - Zn plated forehead Дверные замки 30/92/22 mm	22	240	70732	2	/	40/1	0.440	48 kut.
Brava za metalna vrata - 30/92/24 mm INOX Čelo Door lock 30/92/24 mm - INOX forehead Дверные замки 30/92/24 mm	24	240	70735	2	/	40/1	0.449	48 kut.





Način okretanja jezička brave  
za desna i leva vrata  
Doorlock setup - orientation  
change for right and left doors


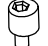





Doorlock assembling

Brava za AL vrata 35/92  
Četvrtka 8x8  
Pocinkovano i prohromsko celo  
otporno na koroziju  
Svaka brava upakovana u  
specijalno dizajnirane kutije  
Door lock AL 35/92 mm  
8x8 mm square  
Zink plated and Inox forehead  
corrosion resistance  
Every single door lock packed  
into a special design carton box

○ Standardna varijanta

○ Standard variant

Naziv Name/Название	T (mm)	L (mm)	Artikal Code/Код					
Brava za metalna vrata -35/92/22 mm INOX Čelo Door lock 35/92/22 mm - INOX forehead Дверные замки 35/92/22 mm	22	240	70750	2	/	40/1	0.473	48 kut.
Brava za metalna vrata - 35/92/22 mm Pocinkovano čelo Door lock 35/92/22 mm - Zn plated forehead Дверные замки 35/92/22 mm	22	240	70752	2	/	40/1	0.478	48 kut.
Brava za metalna vrata -35/92/24 mm INOX Čelo Door lock 35/92/24 mm - INOX forehead Дверные замки 35/92/24 mm	24	240	70755	2	/	40/1	0.487	48 kut.

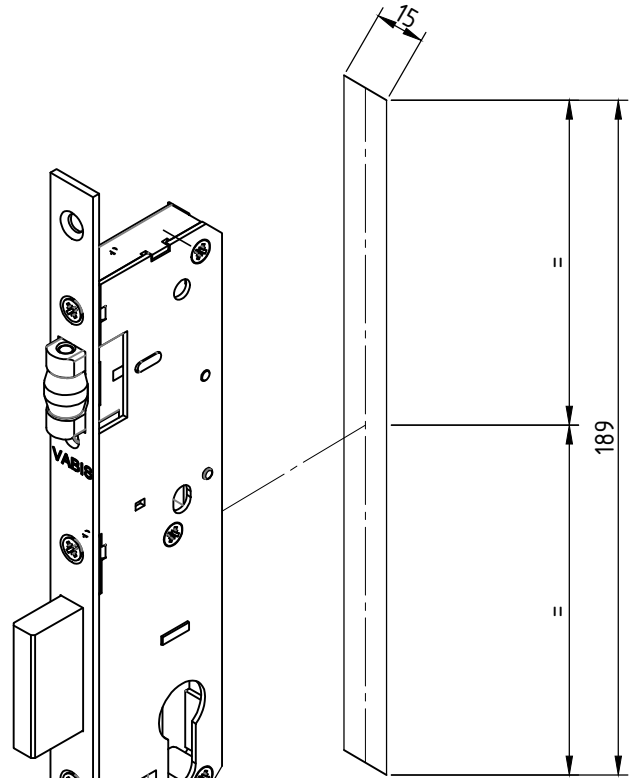
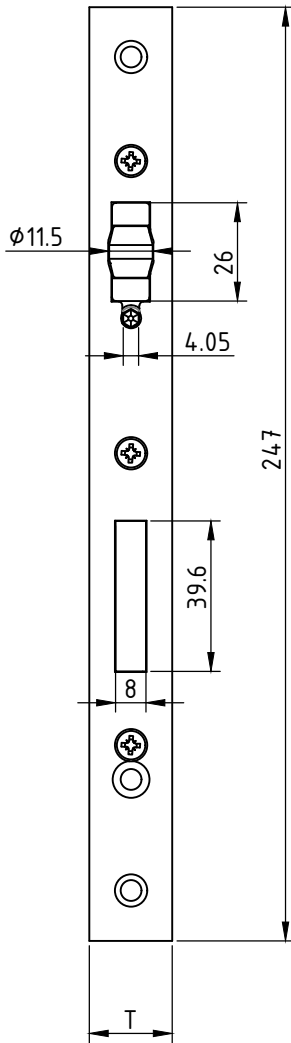
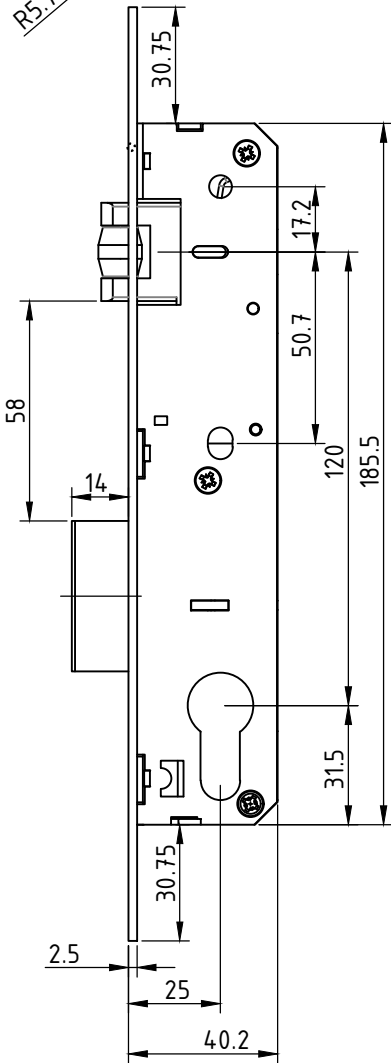
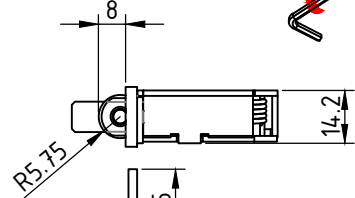
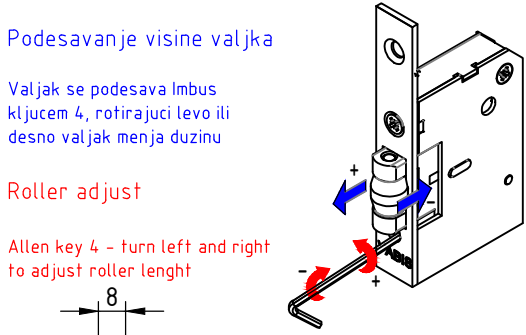
**Okov za vrata**  
**Door fittings**  
**Дверная фурнитура**

**Podesavanje visine valjka**

Valjak se podesava Imbus ključem 4, rotirajući levo ili desno valjak menja dužinu

**Roller adjust**

Allen key 4 - turn left and right to adjust roller length



Brava za PVC sa valjkom 25/92  
 Čelo brave pocinkovano  
 zasticeno od korozije  
 Svaka brava pakovana u  
 specijalno dizajnirane kutije  
 Valjak sa mehanizmom za  
 podesavanje

Door lock for PVC with roller  
 25/92  
 Zink plated forehead corrosion  
 resistance  
 Every single door lock packed  
 into a special design carton box  
 Roller adjusted mechanism

Minimalna količina za narucivanje  
 300 kom

Minimum quantity for order  
 300 pcs

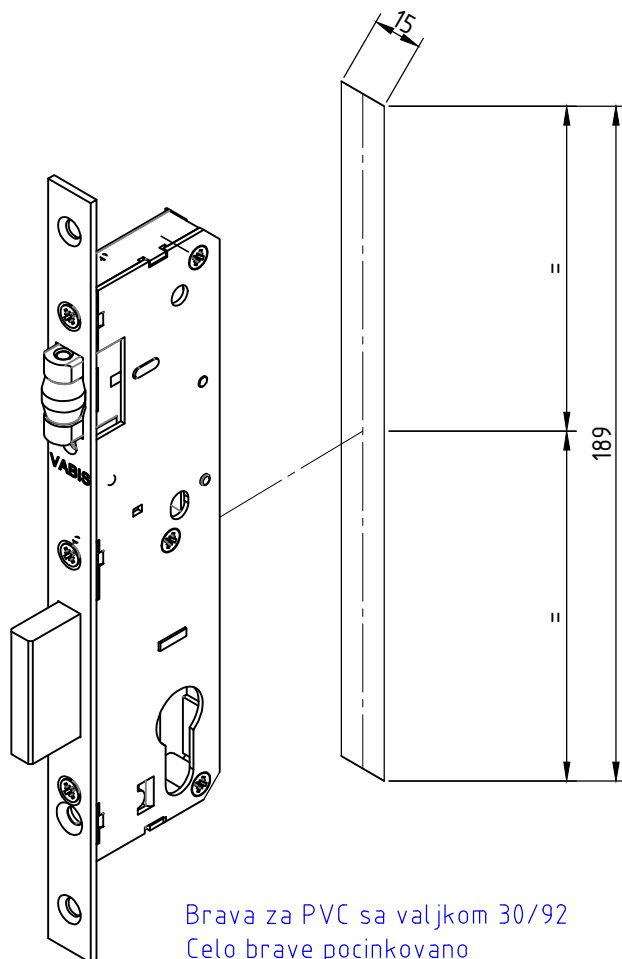
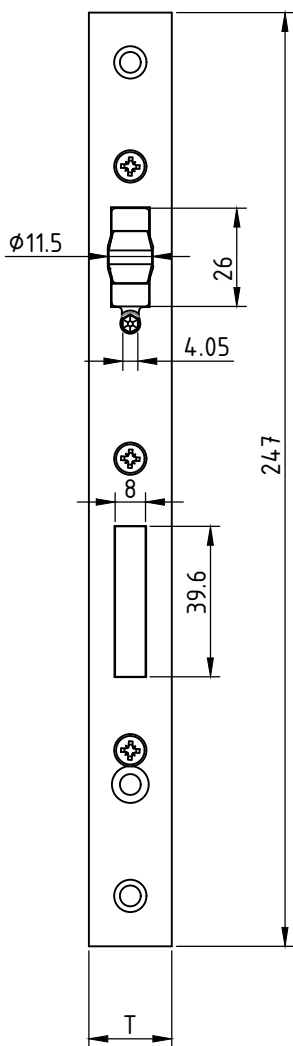
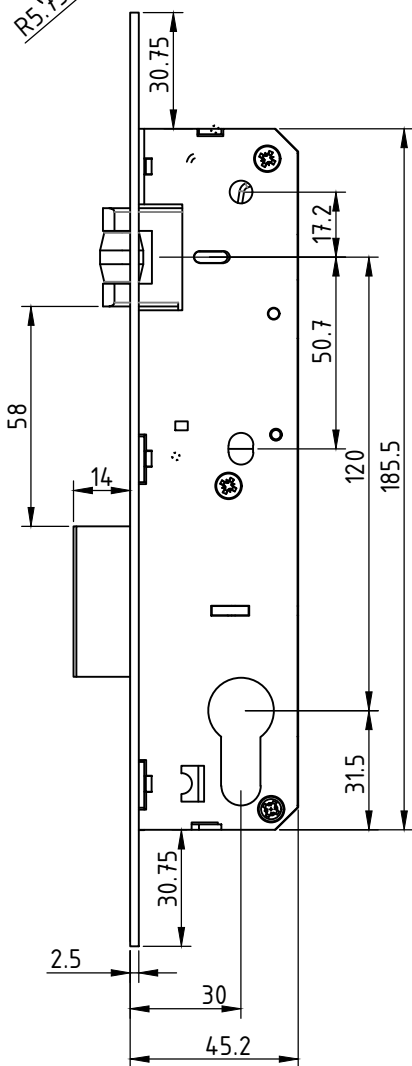
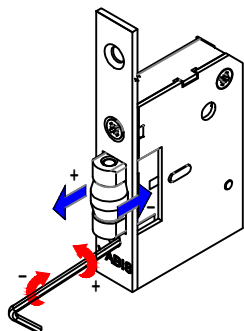
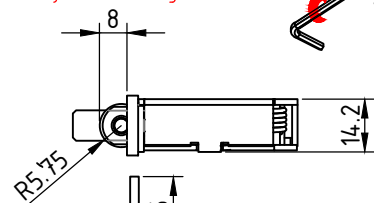
Naziv Name/Название	T (mm)	L (mm)	Artikal Code/Код				kg	
Brava za metalna vrata -25/92/22 mm INOX Čelo / Valjak Door lock 25/92/22 mm - INOX forehead / Roller Дверные замки 25/92/22 mm	22	240	70705	2	/	40/1	0.398	48 kut.
Brava za metalna vrata - 25/92/22 mm Pocinkovano čelo / Valjak Door lock 25/92/22 mm - Zn plated forehead / Roller Дверные замки 25/92/22 mm	22	240	70707	2	/	40/1	0.403	48 kut.
Brava za metalna vrata -25/92/24 mm INOX Čelo Door lock 25/92/24 mm - INOX forehead Дверные замки 25/92/24 mm	24	240	70702	2	/	40/1	0.412	48 kut.

Podesavanje visine valjka

Valjak se podesava Imbus ključem 4, rotirajući levo ili desno valjak menja dužinu

Roller adjust

Allen key 4 - turn left and right to adjust roller length



Brava za PVC sa valjkom 30/92  
Čelo brave pocinkovano  
zasticeno od korozije  
Svaka brava pakovana u  
specijalno dizajnirane kutije  
Valjak sa mehanizmom za  
podesavanje

Door lock for PVC with roller  
30/92  
Zink plated forehead corrosion  
resistance  
Every single door lock packed  
into a special design carton box  
Roller adjusted mechanism

Minimalna količina za narucivanje  
300 kom

Minimum quantity for order  
300 pcs

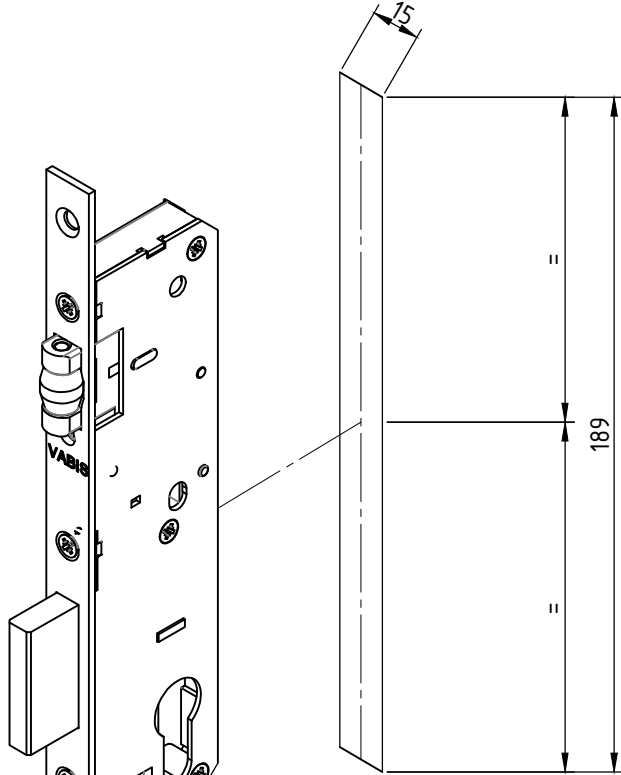
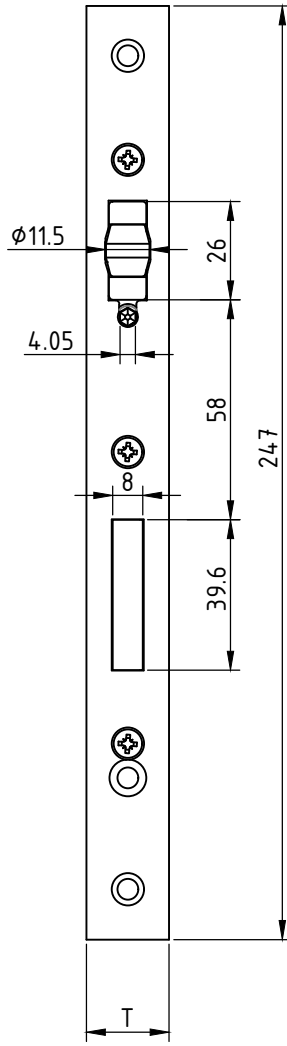
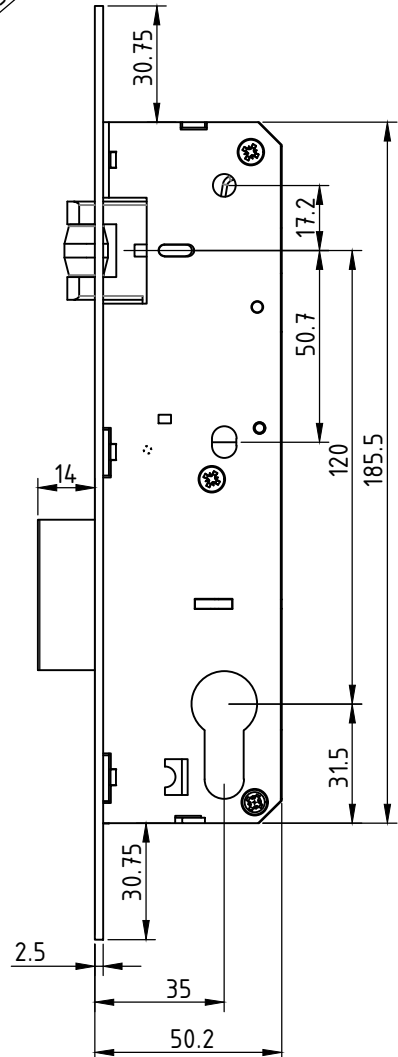
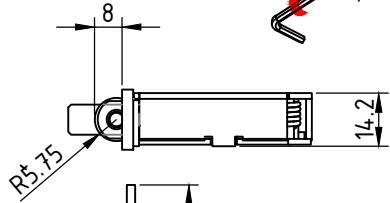
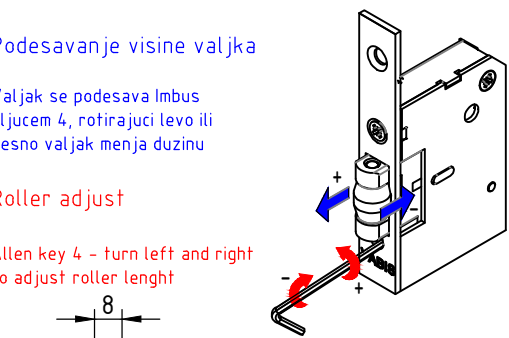
Naziv Name/Название	T (mm)	L (mm)	Artikal Code/Код				kg	
Brava za metalna vrata - 30/92/22 mm INOX Čelo / Valjak Door lock 30/92/22 mm - INOX forehead / Roller Дверные замки 30/92/22 mm	22	240	70725	2	/	40/1	0.436	48 kut.
Brava za metalna vrata - 30/92/22 mm Pocinkovano Čelo / Valjak Door lock 30/92/22 mm - Zn plated forehead / Roller Дверные замки 30/92/22 mm	22	240	70727	2	/	40/1	0.441	48 kut.
Brava za metalna vrata - 30/92/24 mm INOX Čelo Door lock 30/92/24 mm - INOX forehead Дверные замки 30/92/24 mm	24	240	70722	2	/	40/1	0.450	48 kut.

Podesavanje visine valjka

Valjak se podesava Imbus ključem 4, rotirajući levo ili desno valjak menja dužinu

Roller adjust

Allen key 4 - turn left and right to adjust roller length



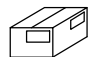




Brava za PVC sa valjkom 35/92  
Celo brave pocinkovano  
zasticeno od korozije  
Svaka brava pakovana u  
specijalno dizajnirane kutije  
Valjak sa mehanizmom za  
podesavanje

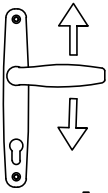
Door lock for PVC with roller  
35/92 mm  
Zink plated forehead corrosion  
resistance  
Every single door lock packed  
into a special design carton box  
Roller adjusted mechanism

~~Minimalna kolicina za narucivanje  
300 kom~~

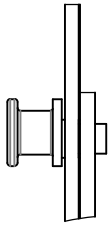
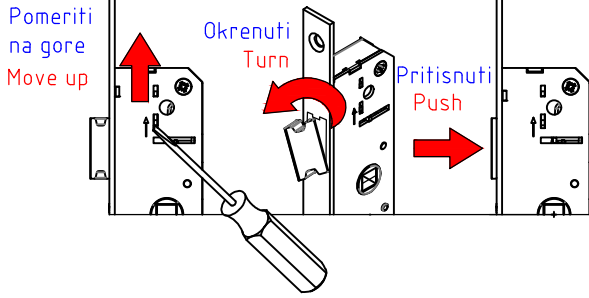
~~Minimum quantity for order  
300 pcs~~

Naziv Name/Название	T (mm)	L (mm)	Artikal Code/Код					
Brava za metalna vrata -35/92/22 mm INOX Čelo / Valjak Door lock 35/92/22 mm - INOX forehead / Roller Дверные замки 35/92/22 mm	22	240	70745	2	/	40/1	0.474	48 kut.
Brava za metalna vrata - 35/92/22 mm Pocinkovano čelo / Valjak Door lock 35/92/22 mm - Zn plated forehead / Roller Дверные замки 35/92/22 mm	22	240	70747	2	/	40/1	0.479	48 kut.
Brava za metalna vrata -35/92/24 mm INOX Čelo Door lock 35/92/24 mm - INOX forehead Дверные замки 35/92/24 mm	24	240	70742	2	/	40/1	0.488	48 kut.

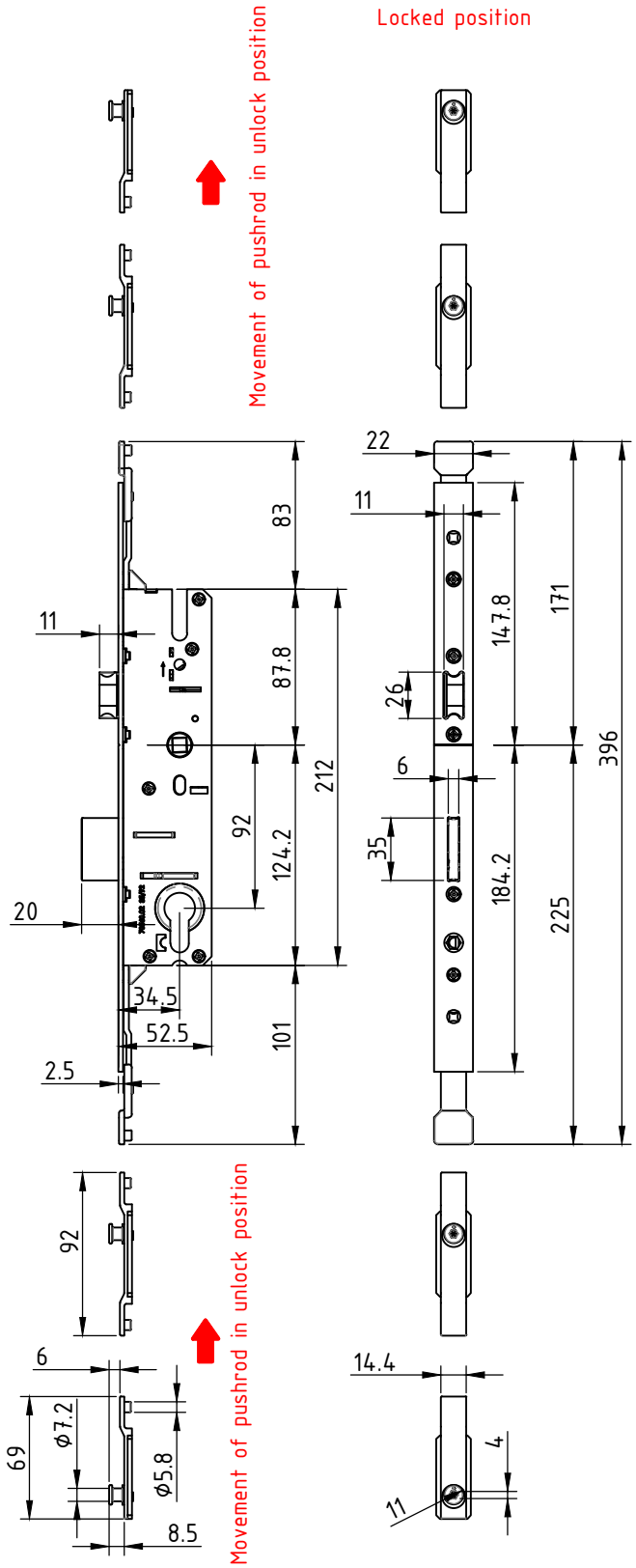
Okov za vrata  
 Door fittings  
 Дверная фурнитура



Način okretanja jezička brave  
 za desna i leva vrata  
 Doorlock setup - orientation  
 change for right and left doors

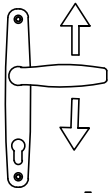


4 x sigurnosni  
 ekcentar  
 4 x safety eccentric pin

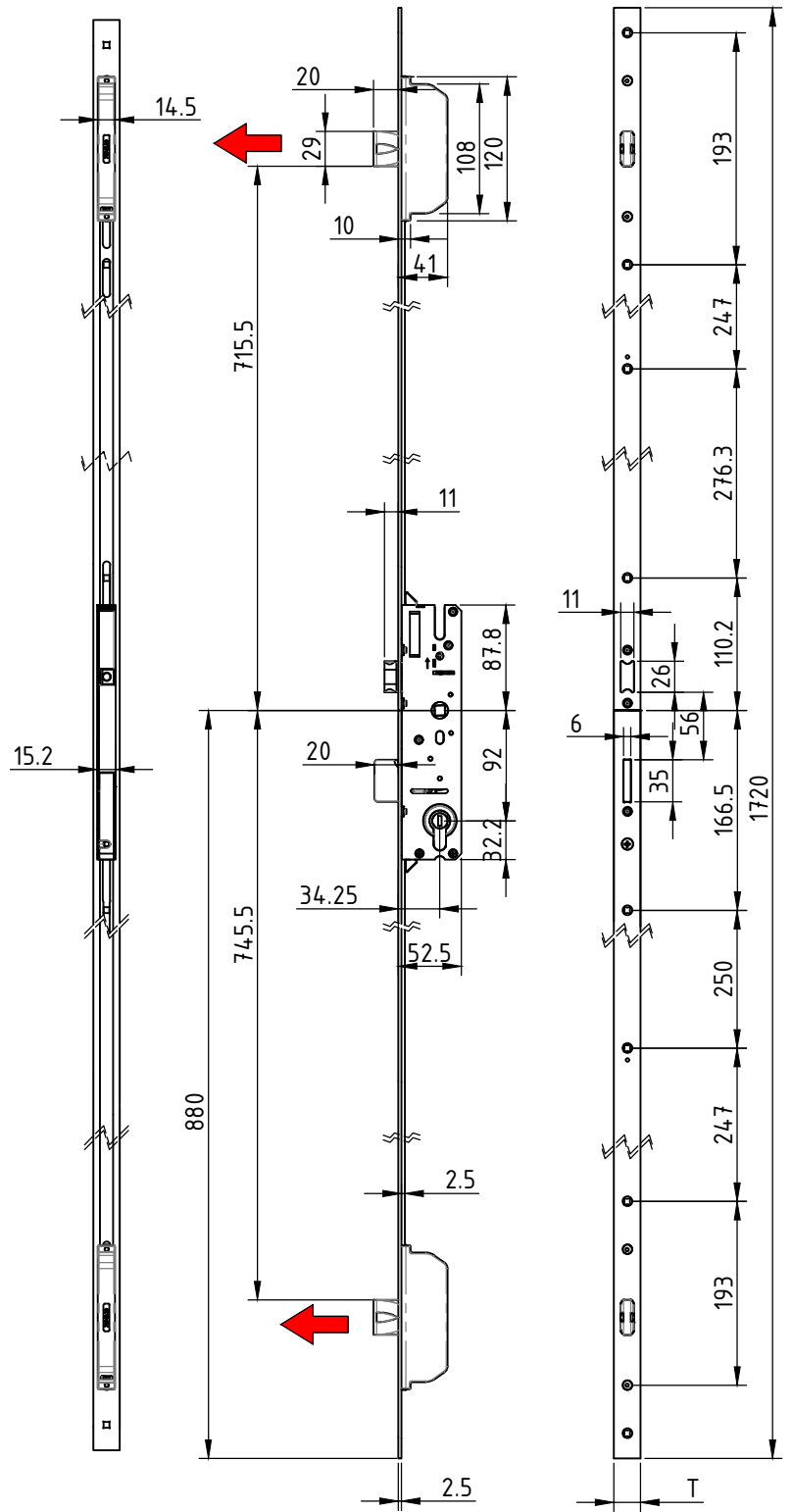
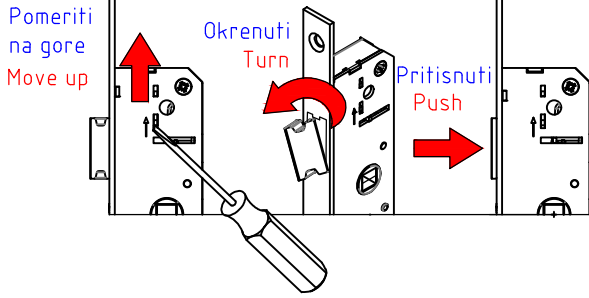


Naziv Name/Название	T(mm)	L (mm)	Artikal Code/Код				kg	
Brava na potez 35-92 Pocinkovano celo/ Multipoint door lock with the latchbolts key operated 35-92 Zink plated/ Дверные замки ПВХ 35/92	22	396	70647	2	0	50/1	0.799	

Okov za vrata  
 Door fittings  
 Дверная фурнитура



Način okretanja jezička brave  
 za desna i leva vrata  
 Doorlock setup - orientation  
 change for right and left doors



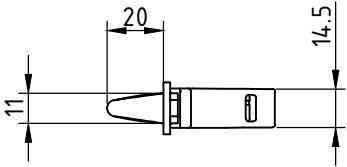
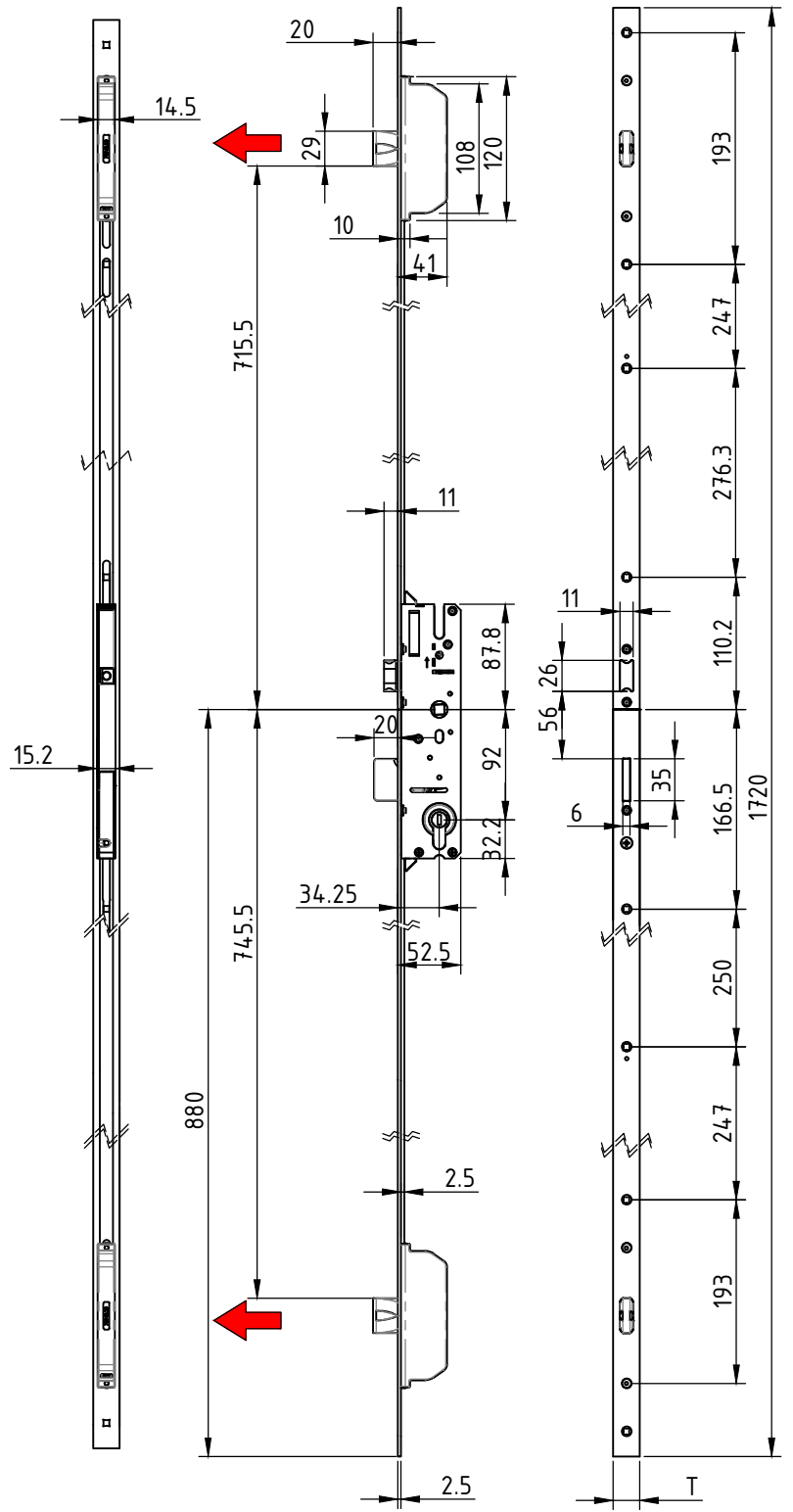
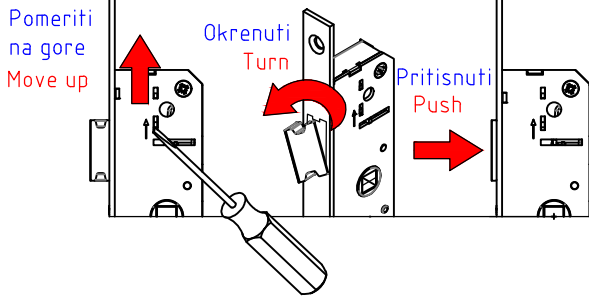
Naziv Name/Название	T (mm)	L (mm)	Artikal Code/Код				kg	
Trozaškovna brava na ključ sa jezickom 35-92 Posinkovano celo/ Multipoint door lock with the latchbolts key operated 35-92 Zink plated/ Дверные замки ПВХ 35/92	22	1720	70840	2	0	50/1	1.885	
Trozaškovna brava na ključ sa jezickom 35-92 INOX celo/ Multipoint door lock with the latchbolts key operated 35-92 INOX plate/ Дверные замки ПВХ 35/92	22	1720	70841	2	0	50/1	1.885	
Trozaškovna brava na ključ sa jezickom 35-92 INOX celo/ Multipoint door lock with the latchbolts key operated 35-92 INOX plate/ Дверные замки ПВХ 35/92	24	1720	70842	2	0	50/1	1.885	



**Okov za vrata**  
**Door fittings**  
**Дверная фурнитура**



Način okretanja jezička brave  
 za desna i leva vrata  
 Doorlock setup - orientation  
 change for right and left doors

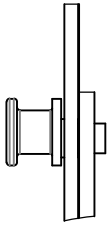
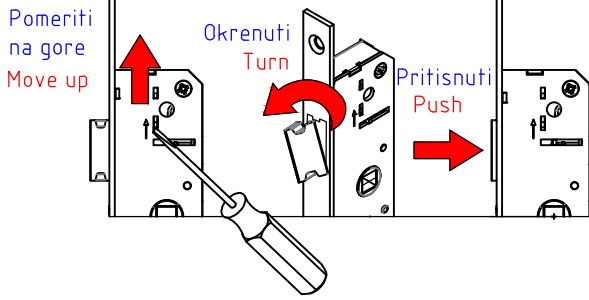


Naziv Name/Название	T(mm)	L (mm)	Artikal Code/Код				kg	
Trozaštovna brava na ključ sa jezickom 35-92 Pocinkovano celo/ Multipoint door lock with the latchbolts key operated 35-92 Zink plated/ Дверные замки ПВХ 35/92	22	1720	70940	2	0	50/1	1.885	
Trozaštovna brava na ključ sa jezickom 35-92 INOX celo/ Multipoint door lock with the latchbolts key operated 35-92 INOX plate/ Дверные замки ПВХ 35/92	22	1720	70941	2	0	50/1	1.885	
Trozaštovna brava na ključ sa jezickom 35-92 INOX celo/ Multipoint door lock with the latchbolts key operated 35-92 INOX plate/ Дверные замки ПВХ 35/92	24	1720	70942	2	0	50/1	1.885	

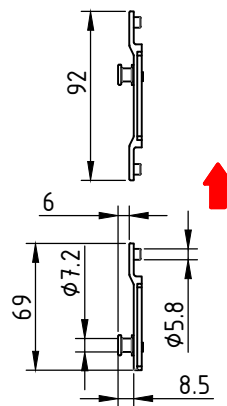
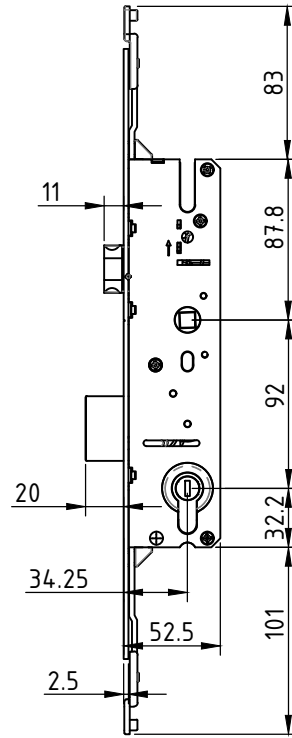
**Okov za vrata**  
**Door fittings**  
**Дверная фурнитура**



Način okretanja jezička brave  
 za desna i leva vrata  
 Doorlock setup - orientation  
 change for right and left doors



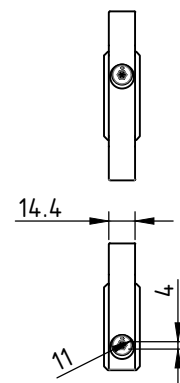
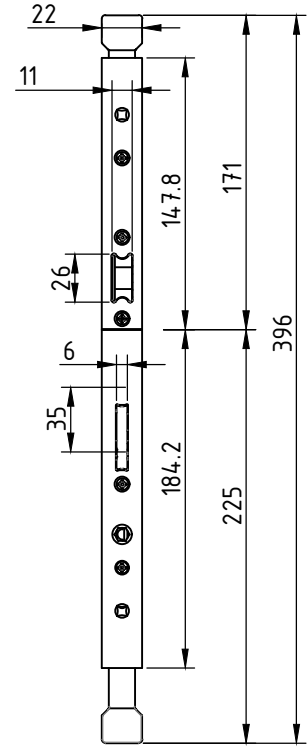
4 x sigurnosni  
 ekcentar  
 4 x safety eccentric pin



Movement of pushrod in unlock position

Movement of pushrod in unlock position

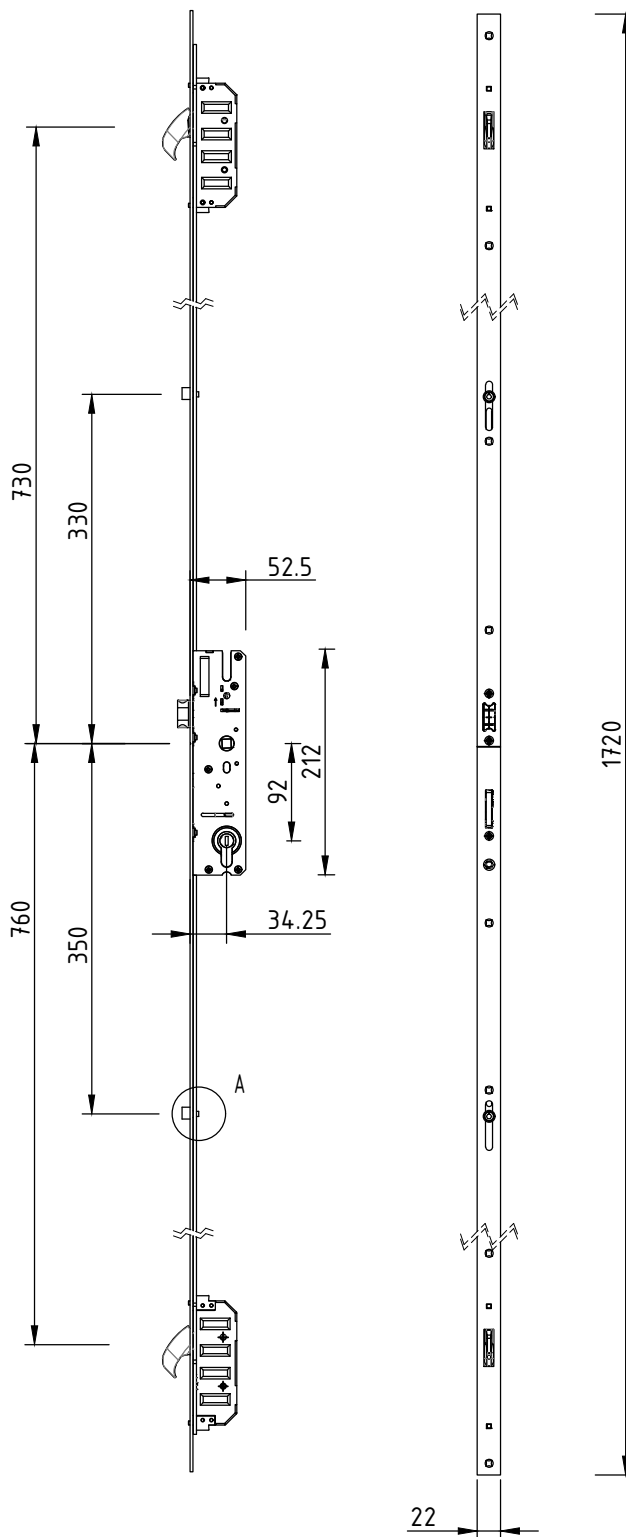
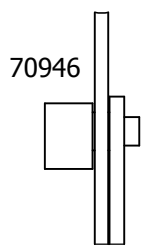
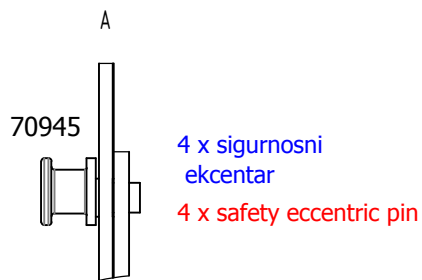
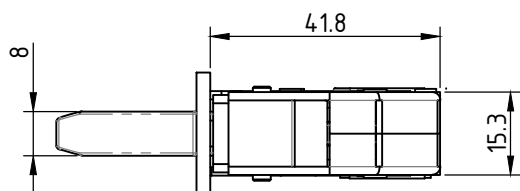
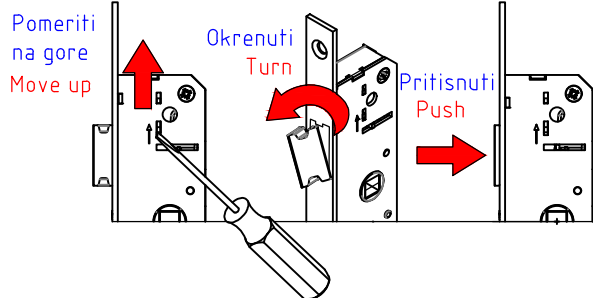
Locked position



Naziv Name/Название	T(mm)	L (mm)	Artikal Code/Код					
Brava na potez 35-92 Pocinkovano celo/ Multipoint door lock with the latchbolts key operated 35-92 Zink plated/ Дверные замки ПВХ 35/92	22	396	70947	2	4	50/1	0.871	

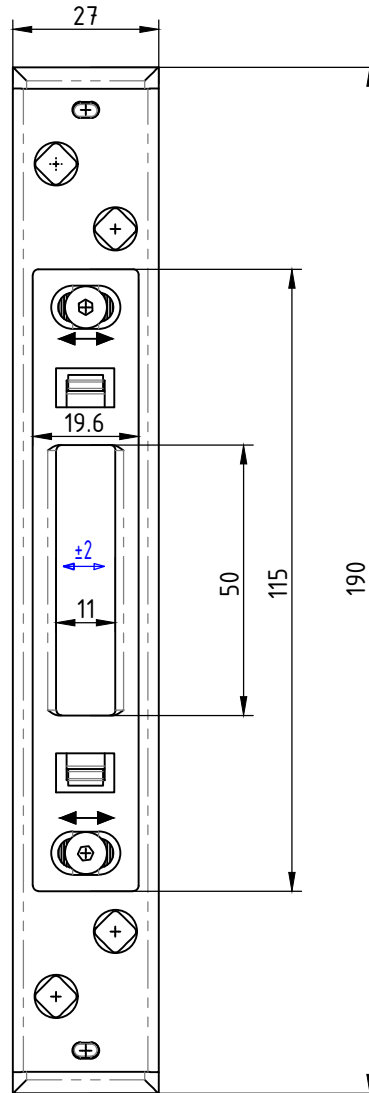
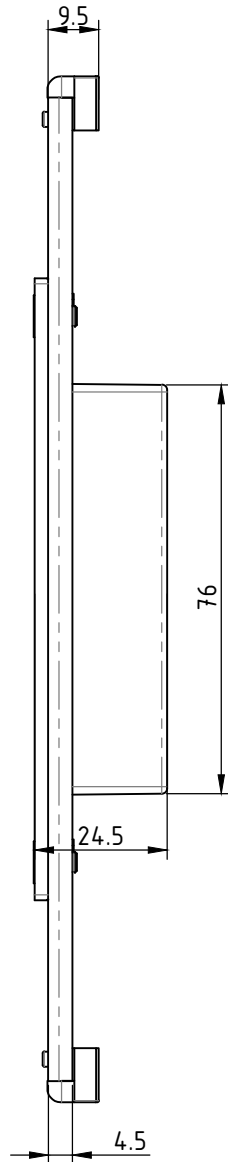
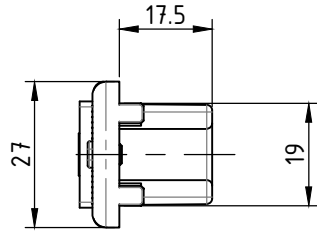




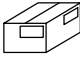


Način okretanja jezička brave  
za desna i leva vrata  
Doorlock setup - orientation  
change for right and left doors

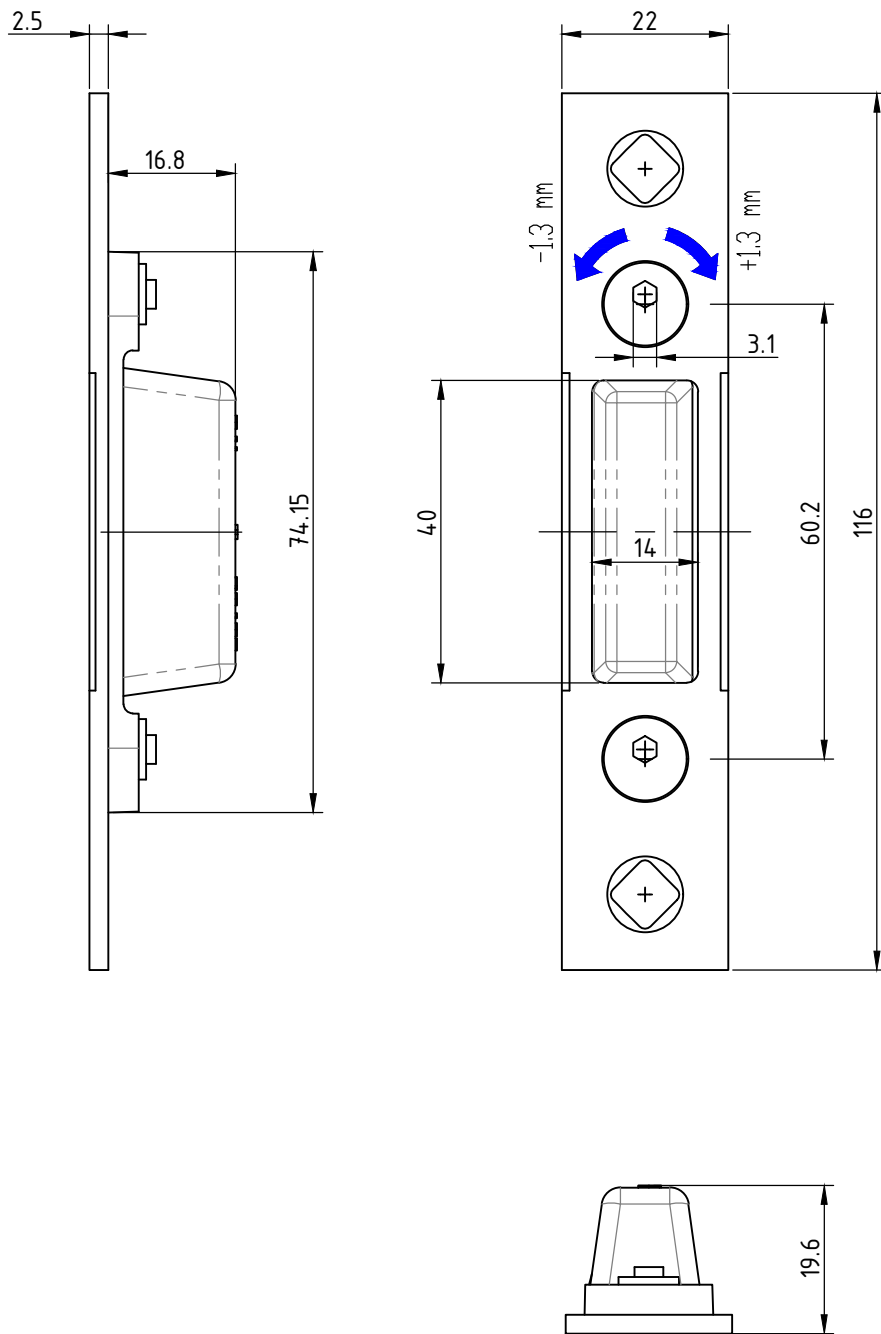




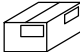

Poz Pos/Поз	Naziv Name/Название	L (mm)	Artikal Code/Код				kg	
	Petozativna brava za Al vrata 35/92 - kljuc (kljun) Multylock 5 points door lock AL 35/92 - key (leather) Дверные замки 35/ 92 mm	1720	70945 70946		2	1/5	1.965 1.933	

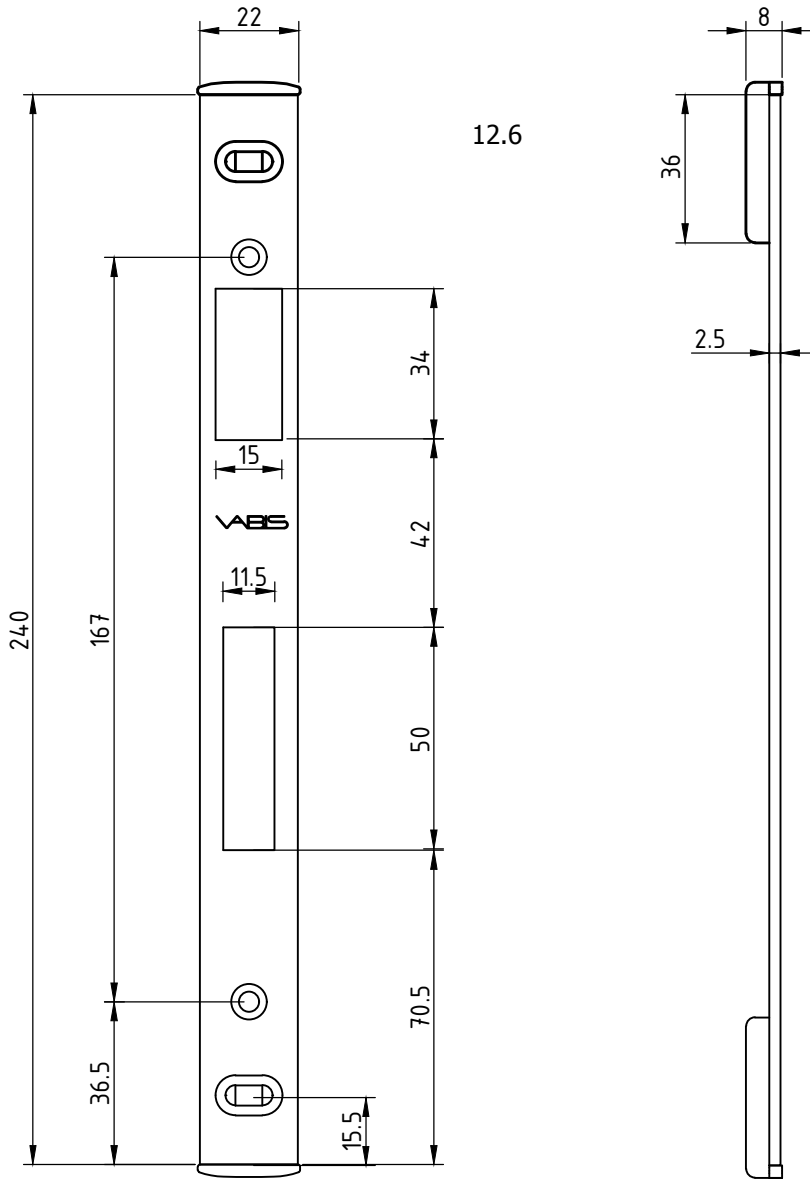
Okov za vrata  
 Door fittings  
 Дверная фурнитура

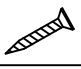

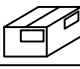




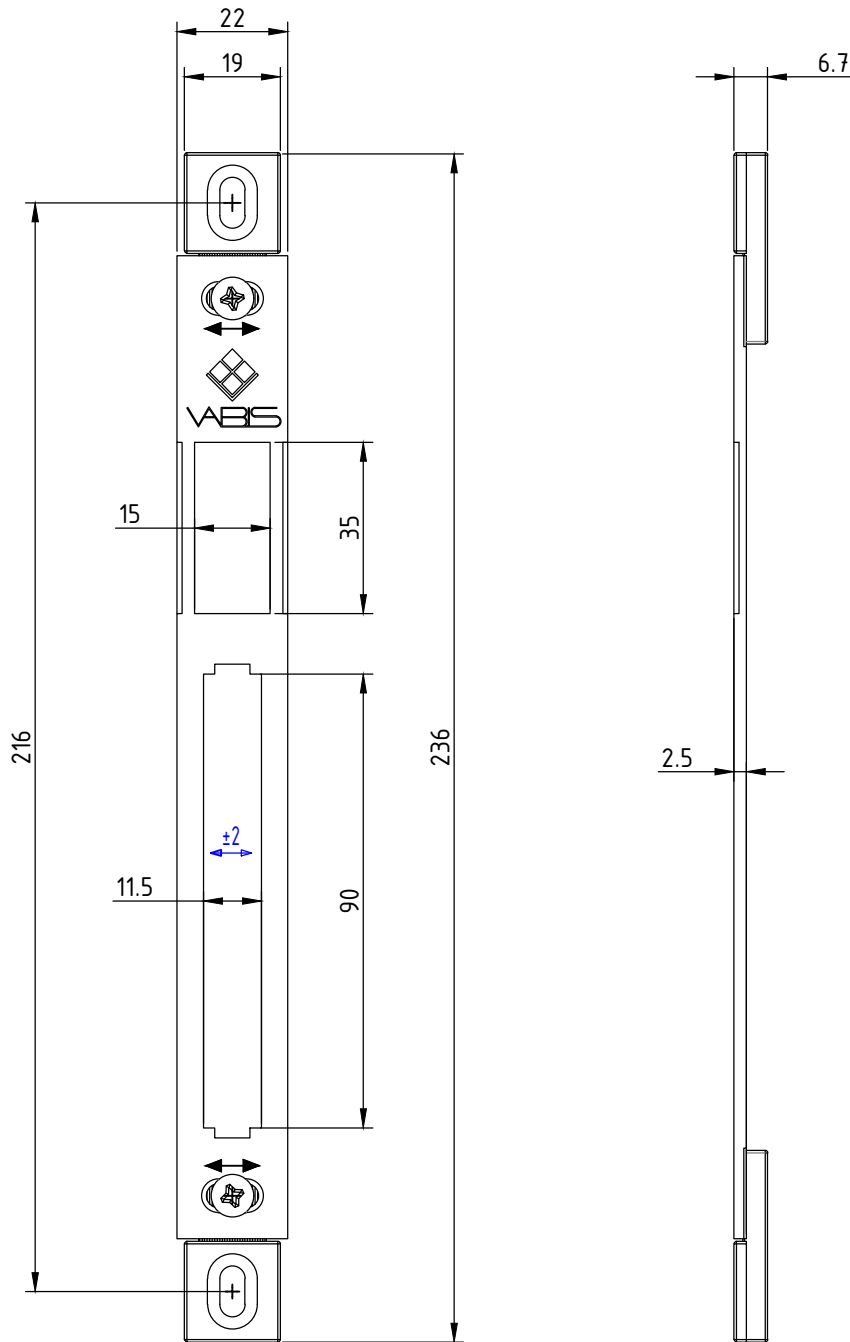
Poz Pos/Поз	Naziv Name/Название	L (mm)	Artikal Code/Код					
	Prihvatnik ploča brave na ključ sa kljunom/ Door lock striker for hooks/Встречные планки замка	190	70196	2	/	60	0.113	48 kut.



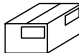




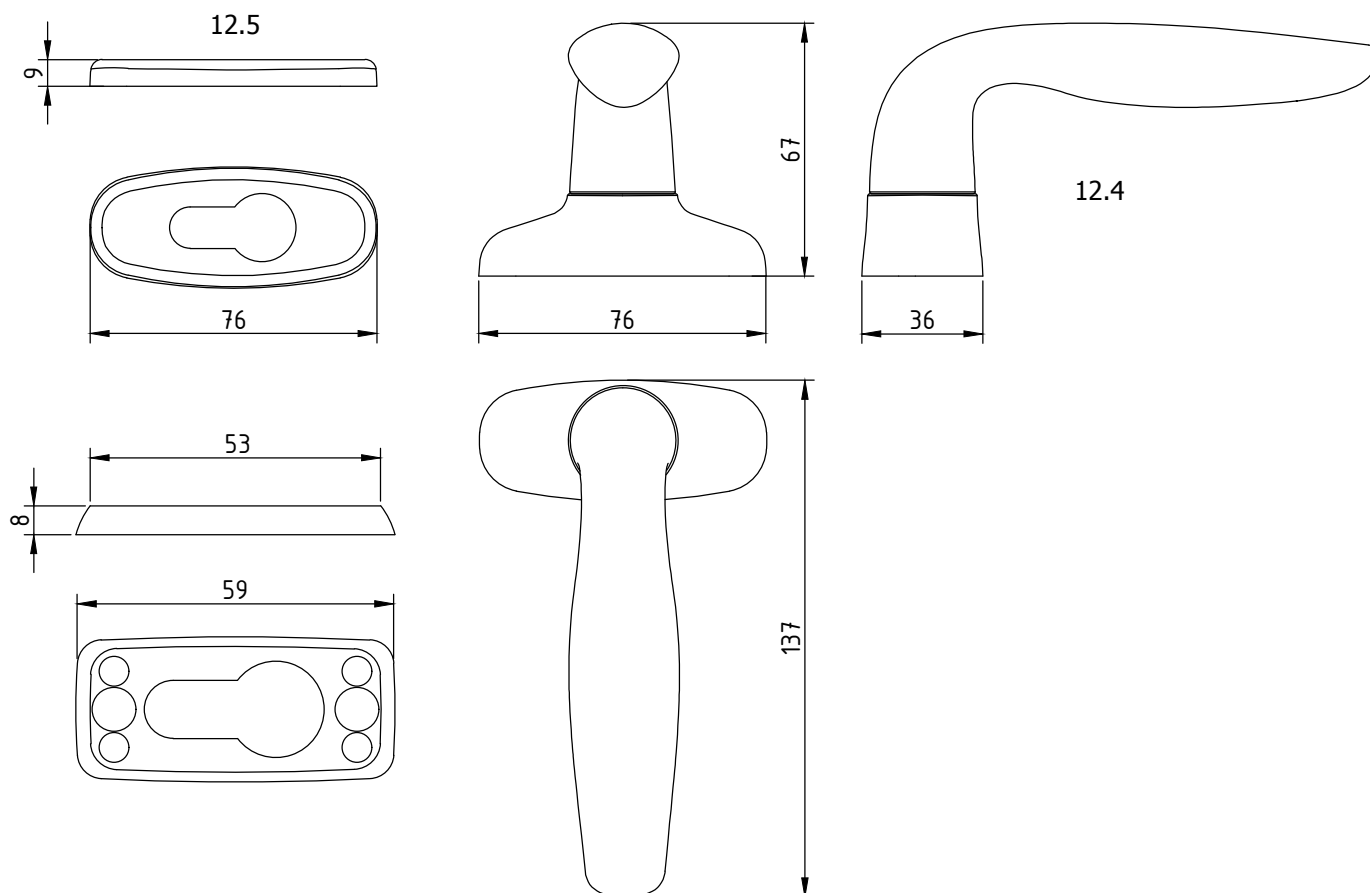
Poz Pos/Поз	Naziv Name/Название	L (mm)	Artikal Code/Код				kg	
	Prihvatna ploča brave na ključ sa jezičkom za Al/ Door lock striker for /Встречные планки замка	116	70195	2	/	60	0.060	48 kut.
	Prihvatna ploča brave na ključ sa jezičkom za Al inox/ Door lock striker for /Встречные планки замка	116	70194	2	/	60	0.060	48 kut.






Poz Pos/Поз	Naziv Name/Название	L (mm)	Artikal Code/Код					
12.6	Prihvatnik brave za metalna vrata Door lock striker/Встречные планки замка	240	70170	2	/	1/100	0.077	48 kut.



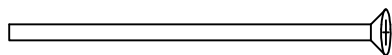
Naziv Name/Название	L (mm)	Artikal Code/Код					
Prihvatnik brave za jednokrilna vrata Pocinkovan Door lock striker/Встречные планки замка	236	70172	2	/	1/100	0.089	48 kut.
Prihvatnik brave za jednokrilna vrata Inox Door lock striker/Встречные планки замка	236	70174	2	/	1/100	0.089	48 kut.



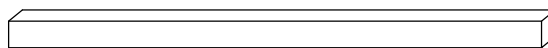
Četvrtka		za sve profile	1 kom
Quadrate	8x8x145	for all profiles	
Стержень стальной		для всех профилей	

Poz Pos/Поз	Naziv Name/Название	Artikal Code/Код	Boja Color/Цвет			kg	
12.4	Kvaka za ulazna vrata Door handle Дверной защелки	80110-1	Bela, RAL 9016 White, RAL 9016/Белый, РАЛ 9016	2	20/1	0.448	48 kut.
		80110-7	Braon, RAL 8019 Brown, RAL 8019/Браун, РАЛ 8019	2	20/1	0.448	48 kut.
		80110-3	Siva, RAL 9006 Gray, RAL 9006/Серый, РАЛ 9006	2	20/1	0.448	48 kut.
		80110-4	Crna, RAL 9005 Black, RAL 9005/Черный, РАЛ 9005	2	20/1	0.448	48 kut.
12.5	Maska za cilindar brave Cylinder cap Накладка цилиндра замка	80410-1	Bela, RAL 9016 White, RAL 9016/Белый, РАЛ 9016	2	20/1	0.038	48 kut.
		80410-7	Braon, RAL 8019 Brown, RAL 8019/Браун, РАЛ 8019	2	20/1	0.038	48 kut.
		80410-3	Siva, RAL 9006 Gray, RAL 9006/Серый, РАЛ 9006	2	20/1	0.038	48 kut.
		80410-4	Crna, RAL 9005 Black, RAL 9005/Черный, РАЛ 9005	2	20/1	0.038	48 kut.

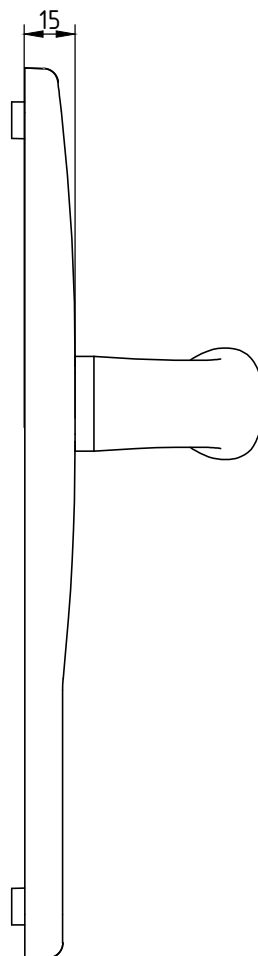
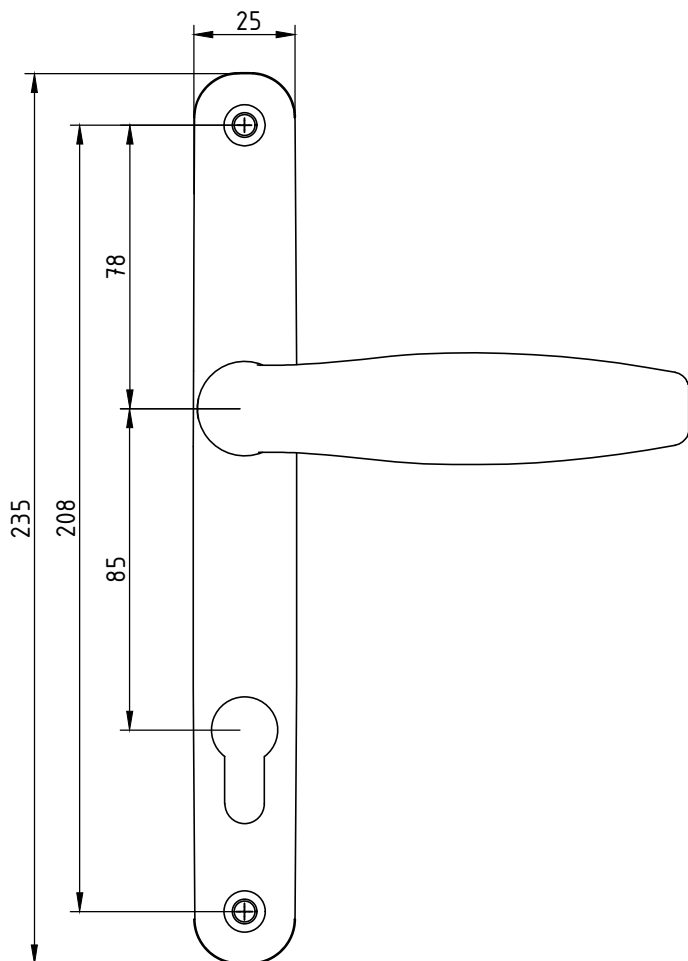




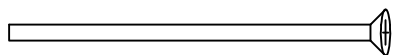
Zavrtanj	M5x90	za sve profile	2 kom
Screw		for all profiles	
Болт		для всех профилей	



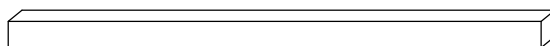
Četvrtka	8x8x145	za sve profile	1 kom
Quadrate		for all profiles	
Стержень стальной		для всех профилей	



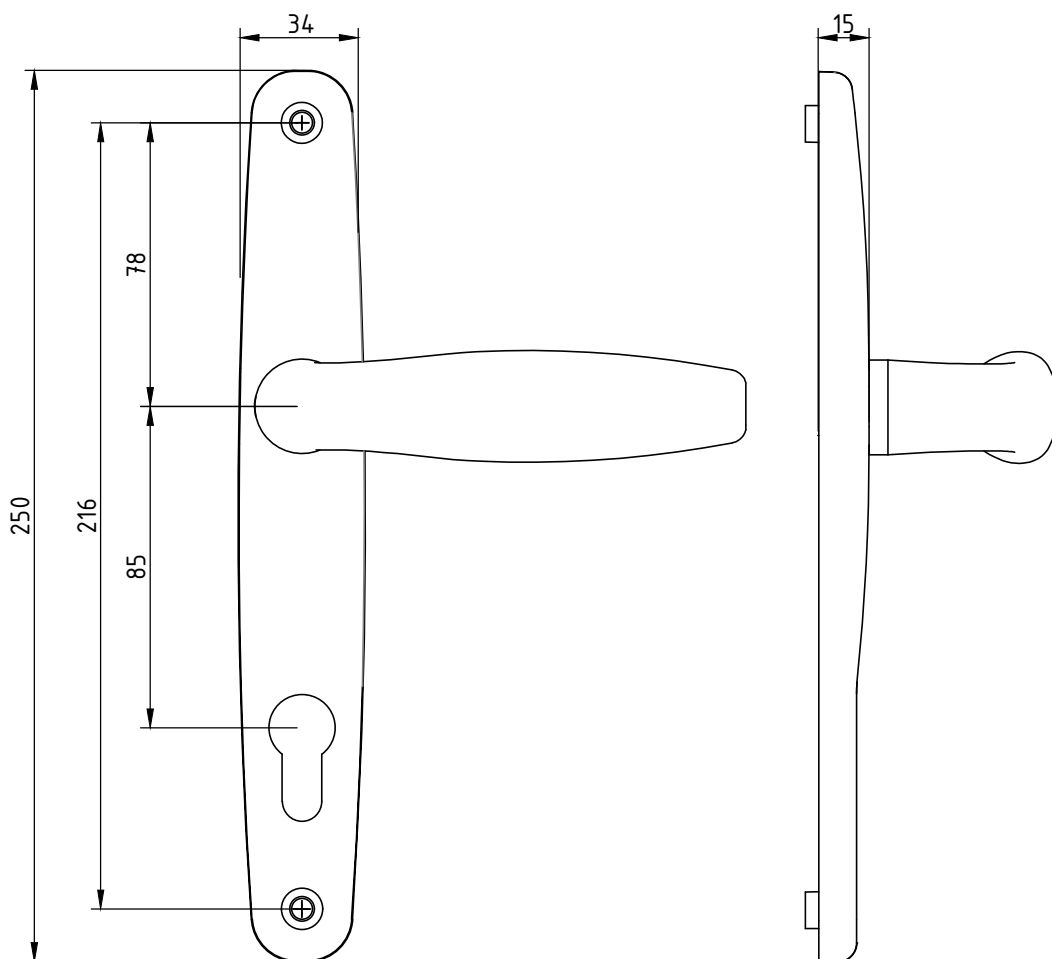
Poz Pos/Поз	Naziv Name/Название	Artikal Code/Код	Voja Color/Цвет			kg	
16.10	Квака за ulazna vrata 25/85 Door handle 25/85 Дверной защелки 25/85	80215-1	Bela, RAL 9016 White, RAL 9016/Белый, РAL 9016	4	20/1	0.494	48 kut.
		80215-7	Braon, RAL 8019 Brown, RAL 8019/Браун, РAL 8019	4	20/1	0.494	48 kut.
		80215-3	Siva, RAL 9006 Gray, RAL 9006/Серый, РAL 9006	4	20/1	0.494	48 kut.
		80215-4	Crna, RAL 9005 Black, RAL 9005/Черный, РAL 9005	4	20/1	0.494	48 kut.






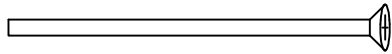
Zavrtanj	M5x90	za sve profile	2 kom
Screw		for all profiles	
Болт		для всех профилей	



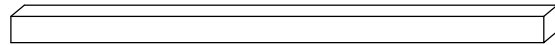
Četvrtka	8x8x145	za sve profile	1 kom
Quadrate		for all profiles	
Стержень стальной		для всех профилей	



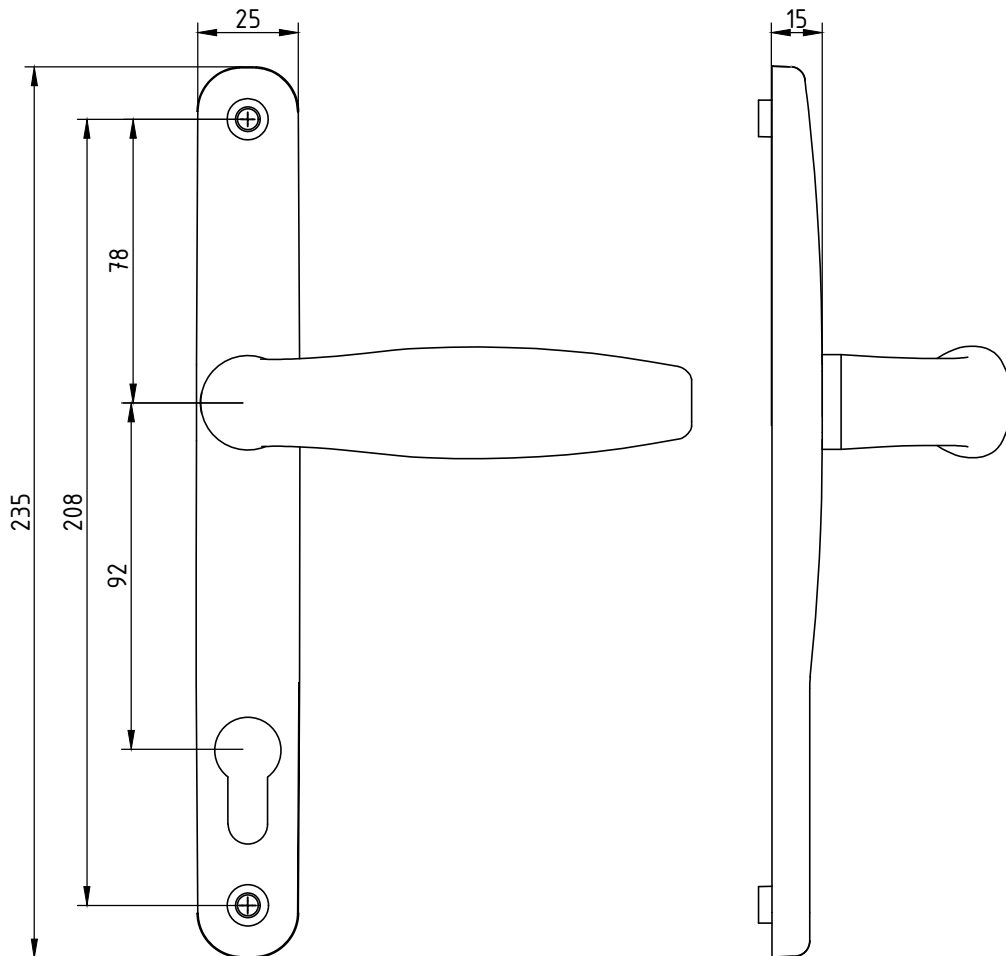
Poz Pos/Поз	Naziv Name/Название	Artikal Code/Код	Voja Color/Цвет			kg	
16.11	Квака за ulazna vrata 34/85 Door handle 34/85 Дверной защелки 34/85	80220-1	Bela, RAL 9016 White, RAL 9016/Белый, РАЛ 9016	2	15/1	0.640	48 kut.
		80220-7	Braon, RAL 8019 Brown, RAL 8019/Браун, РАЛ 8019	2	15/1	0.640	48 kut.
		80220-3	Siva, RAL 9006 Gray, RAL 9006/Серый, РАЛ 9006	2	15/1	0.640	48 kut.
		80220-4	Crna, RAL 9005 Black, RAL 9005/Черный, РАЛ 9005	2	15/1	0.640	48 kut.






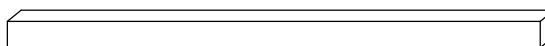
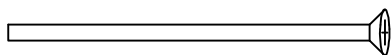
Zavrtanj	M5x90	za sve profile	2 kom
Screw		for all profiles	
Болт		для всех профилей	



Četvrtka	8x8x145	za sve profile	1 kom
Quadrate		for all profiles	
Стержень стальной		для всех профилей	

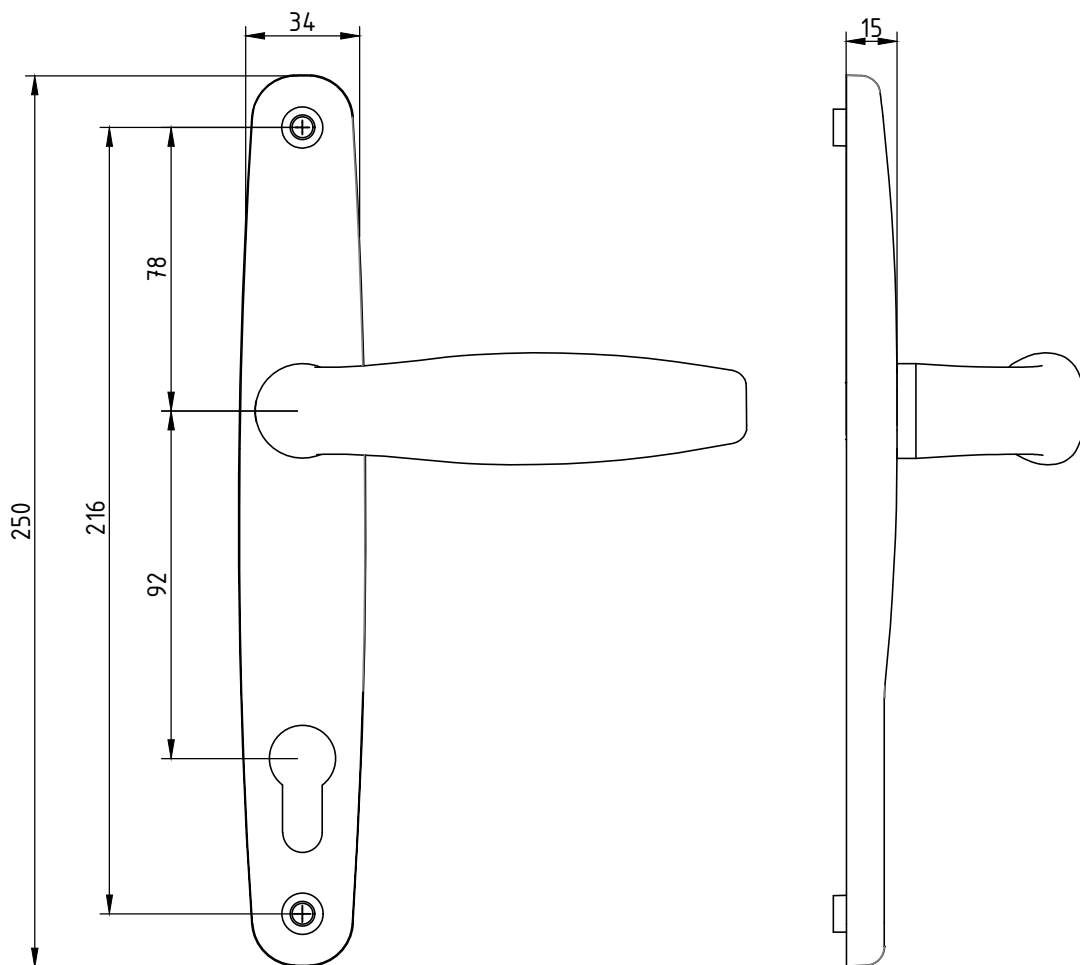


Poz Pos/Поз	Naziv Name/Название	Artikal Code/Код	Voja Color/Цвет			kg	
16.12	Квака за ulazna vrata 25/92 Door handle 25/92 Дверной защелки 25/92	80225-1	Bela, RAL 9016 White, RAL 9016/Белый, РАЛ 9016	2	20/1	0.500	48 kut.
		80225-7	Braon, RAL 8019 Brown, RAL 8019/Браун, РАЛ 8019	2	20/1	0.500	48 kut.
		80225-3	Siva, RAL 9006 Gray, RAL 9006/Серый, РАЛ 9006	2	20/1	0.500	48 kut.
		80225-4	Crna, RAL 9005 Black, RAL 9005/Черный, РАЛ 9005	2	20/1	0.500	48 kut.

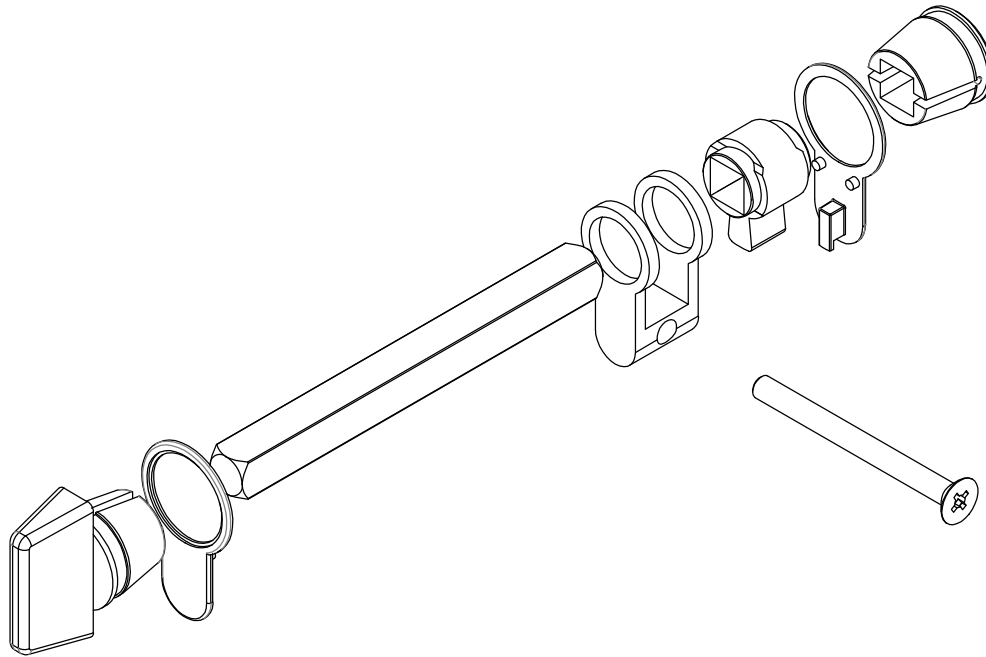






Zavrtanj	M5x90	za sve profile	2 kom
Screw		for all profiles	
Болт		для всех профилей	

Četvrtka	8x8x145	za sve profile	1 kom
Quadrate		for all profiles	
Стержень стальной		для всех профилей	

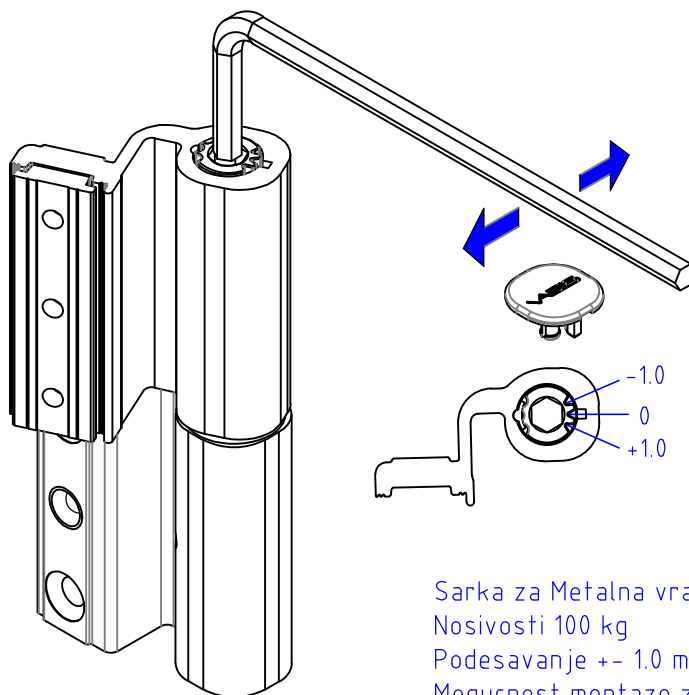
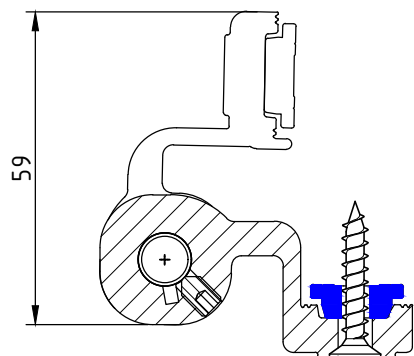


Poz Pos/Поз	Naziv Name/Название	Artikal Code/Код	Voja Color/Цвет			kg	
16.13	Квака за ulazna vrata 34/92 Door handle 34/92 Дверной защелки 34/92	80230-1	Bela, RAL 9016 White, RAL 9016/Белый, РАЛ 9016	2	15/1	0.643	48 kut.
		80230-7	Braon, RAL 8019 Brown, RAL 8019/Браун, РАЛ 8019	2	15/1	0.643	48 kut.
		80230-3	Siva, RAL 9006 Gray, RAL 9006/Серый, РАЛ 9006	2	15/1	0.643	48 kut.
		80230-4	Crna, RAL 9005 Black, RAL 9005/Черный, РАЛ 9005	2	15/1	0.643	48 kut.



Poz Pos/Поз	Naziv Name/Название	Artikal Code/Код	Boja Color/Цвет				
		80505-1	Bela, RAL 9016 White, RAL 9016/Белый, РАЛ 9016	1	100/1	0.093	48 kut.
		80505-7	Braon, RAL 8019 Brown, RAL 8019/Браун, РАЛ 8019	1	100/1	0.093	48 kut.
		80505-3	Siva, RAL 9006 Gray, RAL 9006/Серый, РАЛ 9006	1	100/1	0.093	48 kut.
		80505-4	Crna, RAL 9005 Black, RAL 9005/Черный, РАЛ 9005	1	100/1	0.093	48 kut.

Квака за ulazna vrata 34/92  
 Door handle 34/92  
 Дверной защелки 34/92



Sarka za Metalna vrata  
Nosivosti 100 kg

Podesavanje  $\pm 1.0$  mm

Mogucnost montaze za skoro

sve Al.profile sa zlebom za okov

Za leva i desna vrata

○ Standardna varijanta

Hinge for Metal door

Load - 100 kg

Adjustable  $\pm 1.0$  mm

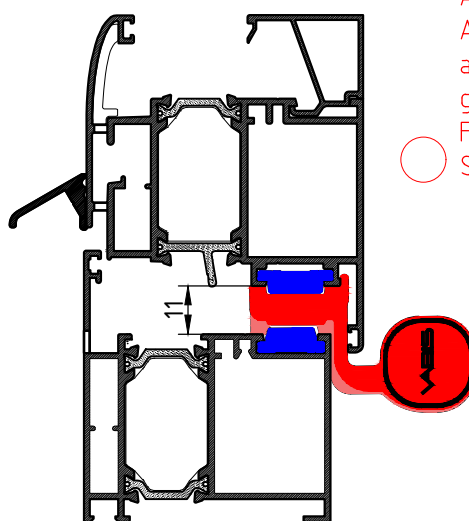
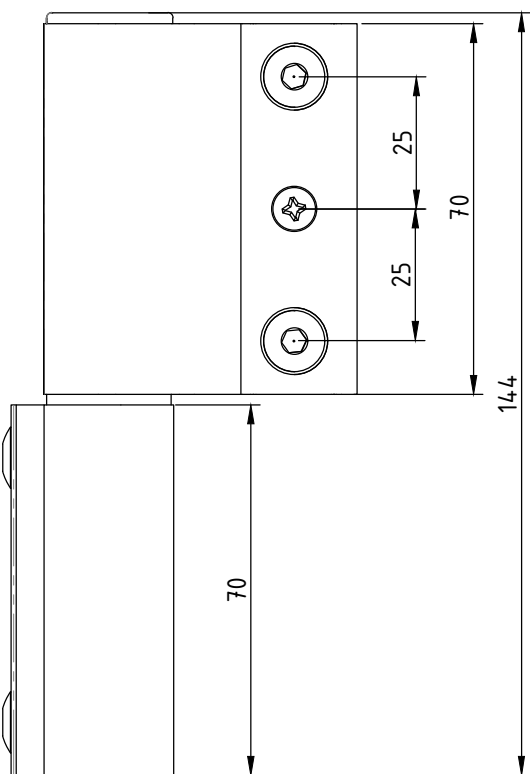
Available for almost every

aluminium sections with clamp

groove

For left and right doors

○ Standard variant



Nosivost 100 kg - isporucuje se u delovima

Poz Pos/Поз	Naziv Name/Название	Artikal Code/Код	Boja Color/Цвет			kg	
Dvodelna šarka za Al vrata 100 kg Two part hinge for Al door 100 kg	60100-1	Bela, RAL 9016 White, RAL 9016/Белый, РАЛ 9016	6	12/1	0.400	240	
	60100-7	Braon, RAL 8019/Brown, RAL 8019/Браун, РАЛ 8019	6	12/1	0.400	240	
	60100-3	Siva, RAL 9006 Gray, RAL 9006/Серый, РАЛ 9006	6	12/1	0.400	240	
	60100-4	Crna, RAL 9005 Black, RAL 9005/Черный, РАЛ 9005	6	12/1	0.400	240	



**VABIS D.O.O., ul Tihomira Djordjevića bb, Aleksinac - [www.vabis.co.rs](http://www.vabis.co.rs) - [office@vabis.co.rs](mailto:office@vabis.co.rs)  
Tel. +381 (0)18 804 007, 800 009 Fax: +381 (0)18 800 008  
GPS - N 43 33' 2,61" E - 21 41' 25,33"**